

# Cooling Catalog 2013

November 2012  
Noviembre 2012  
Novembre 2012  
Ver.1.0



## Meet the AISIN Family



Water Pump



Timing Belt Kit



Fan Clutch



Fan Pulley Bracket



Hydraulic Tensioner



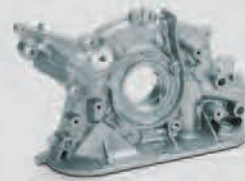
Clutch Kit



Clutch Hydraulics



Free Wheel Hub



Oil Pump



Timing Chain Cover



Door Lock Actuator



Form-In-Place-Gasket



Automatic Transmission Fluid



# Cooling Catalog Index

## Catalog Index

Sections/Pages

Operation Diagram .....	I
Structure and Components .....	II
AISIN Water Pump Characteristics .....	III
Precautions and handling .....	IV
Installation Procedure .....	V
Gasket Installation .....	VI
Quick Reference .....	VII
Troubleshooting .....	VII
<b>Water Pump</b> Applications / Product Images / Buyer's Guide .....	1 - 42
<b>Timing Belt Kit</b> Applications / Product Images / Buyer's Guide .....	43 - 56
<b>Timing Belt Tensioner</b> Applications / Product Images / Buyer's Guide .....	57 - 66
<b>Fan Pulley Bracket</b> Applications / Product Images / Buyer's Guide .....	67 - 71
<b>Fan Clutch</b> Applications / Product Images / Buyer's Guide .....	73 - 88
<b>Interchange Tables</b>	
<b>OEM Interchange</b> Water Pump / Timing Belt Kit / Timing Belt Tensioner / Fan Pulley Bracket / Fan Clutch .....	89-108
<b>Competitive Cross Reference</b> Water Pump / Timing Belt Kit / Timing Belt Tensioner / Fan Pulley Bracket / Fan Clutch .....	109-123
<b>Warranty</b> .....	124

## Indice

Secciones/Páginas

Diagrama de Operación .....	I
Estructura y Componentes .....	II
Características de bombas de agua Aisin .....	III
Precacautiones y Manejo .....	IV
Procedimientos de Instalación .....	V
Instalación del Empaque .....	VI
Referencias .....	VII
Guía de averías y correcciones .....	VIII
<b>Bomba de Agua</b> Aplicaciones / Imégene de Productos / Guia de Inventario .....	1 - 42
<b>Kit de Bomba de Agua</b> Aplicaciones / Imégene de Productos / Guia de Inventario .....	43 - 56
<b>Enfriamiento</b>	
<b>Tensor Hidráulico</b> Aplicaciones / Imégene de Productos / Guia de Inventario .....	57 - 66
<b>Soporte de Polea y Ventilador</b> Aplicaciones / Imégene de Productos / Guia de Inventario .....	67 - 71
<b>Fan Clutch</b> Aplicaciones / Imégene de Productos / Guia de Inventario .....	73 - 88
<b>Tabla de Intercambios</b>	
<b>Intercambio contra Equipo Original</b> Bomba de Agua / Kit de Bomba de Agua/Enfriamiento .....	89-108
Tensor Hidráulico / Soporte de Polea y Ventilador / Fan Clutch	
<b>Intercambios contra la competencia</b> Bomba de Agua / Kit de Bomba de Agua/Enfriamiento .....	109-123
Tensor Hidráulico / Soporte de Polea y Ventilador / Fan Clutch	
<b>Garantía</b> .....	124

## Index du catalogue

Sections/Pages

Schéma de fonctionnement .....	I
Structure et composants .....	II
Caractéristiques des pompes à eau AISIN .....	III
Mesures de précaution et manutention .....	IV
Mode d'installation .....	V
Installation de garniture .....	VI
Guide de consultation rapide .....	VII
Dépannage .....	VIII
<b>Pompe é Eau</b> Applications / Images des produits / Guide de l'acheteur .....	1 - 42
<b>Kit de Courroie</b> Applications / Images des produits / Guide de l'acheteur .....	43 - 56
<b>Tendeur Hydraulique</b> Applications / Images des produits / Guide de l'acheteur .....	57 - 66
<b>Éventez de Parenthse Poulie</b> Applications / Images des produits / Guide de l'acheteur .....	67 - 71
<b>Ventiladeur Autodbrayable</b> Applications / Images des produits / Guide de l'acheteur .....	73 - 88
<b>Tableaux des pièces de remplacement</b>	
<b>Correspondances avec les FEO</b> Pompe é Eau / Kit de Courroie / Tendeur Hydraulique Paulie / Ventiladeur Autodbrayable .....	89-108
<b>Renvoi aux produits de la concurrence</b> Pompe é Eau / Kit de Courroie / Tendeur Hydraulique Paulie / Ventiladeur Autodbrayable .....	109-123
<b>Garantie</b> .....	124



# Catalog Abbreviations

## Catalogo De Abreviaturas Abréviations figurant au catalogue

Abbr.	ENGLISH	ESPAÑOL	FRANÇAIS
2WD	2 Wheel Drive	Tracción dos ruedas	Deux roues motrices
4WD	4 Wheel Drive	Tracción cuatro ruedas	Quatre roues motrices
AC	Air Conditioning	Aire acondicionado	Climatisation
All	All Model Trims	Todos los modelos	Garnitures de tous les modèles
AT	Automatic Transmission	Transmision automatica	Transmission automatique
AWD	All Wheel Drive	Tracción todas las ruedas	Transmission intégrale
Base	Base Model	Modelo Base	Modèle de base
CARB	Carburated	Carburado	à carburateur
cc	Cubic Centimeter	Centimetro cubico	Centimètres cubes
CID	Cubic Inch Displacement	Desplazamiento por pulgada cubica	Cylindrée
DOHC	Dual Overhead Camshaft	Doble arbol de levas	Double arbre à cames en tête
ELEC.	Electric	Electrico	Électrique
Eng.	Engine	Motor	Moteur
Exc.	Except	Excepto	Excepté
FI	Fuel Injection	Inyeccion de Gasolina	Injection de carburant
FWD	Front Wheel Drive	Tracción delantera	Traction avant
GAS	Gasoline	Gasolina	Essence
H4	Horizontal 4 Cylinder	4 cilindros horizontal	4 cylindres horizontaux
H6	Horizontal 6 Cylinder	6 cilindros horizontal	6 cylindres horizontaux
HD Cooling	Heavy Duty Cooling	Enfriamiento equipo pesado	Refroidissement de service intense
inc.	Including	incluyendo	y compris
L	Liter	Litro	Litre
L4	In-line 4 Cylinder	4 cilindros en linea	4 cylindres en ligne
L5	In-line 5 Cylinder	5 cilindros en linea	5 cylindres en ligne
L6	In-line 6 Cylinder	6 cilindros en linea	6 cylindres en ligne
mm	Millimeters	Milímetros	Milimètres
MT	Manual Transmission	Transmision Manual	Transmission manuelle
Natural Asp.	Natural Aspiration	Aspiracion natural	Aspiration naturelle
RWD	Rear Wheel Drive	Tracción trasera	À propulsion
SOHC	Single Overhead Camshaft	Arbol de levas sencillo	Simple arbre à cames en tête
Turbo	Turbocharger	Turbocargador	Turbocompresseur
V6	V Type 6 Cylinder	6 cilindros en V	6 cylindres en V
V8	V Type 8 Cylinder	8 cilindros en V	8 cylindres en V
VIN	Vehicle Identification Number	Número de identificación del vehículo	Numéro d'identification du véhicule
w/	With	Con	Avec
w/o	Without	Sin	Sans

Anniversary	Aniversario	Anniversaire
Bolt Pattern	Diseño tipo tornillo	Modèle boulon
Can Use	Utilizable	Peut utiliser
Dealer	Concesionario	Concessionnaire
Diesel	Diesel	Diesel
Factory	Fabrica	d'usine
Fan Clutch	Fan Clutch	Embrayage du ventilateur
From	De	De
Genuine	Genuino	Authentique
Housing	Protector de bomba de agua	Carter
Large	Largo	Grand
Limited	Limited	Limité
Make	Marca	Marque
Model	Modelo	Modèle
Models Produced In	Modelo producido en	Modèles produits en
Oil Cooler	Enfriador de aceite	Refroidisseur d'huile
One	Uno	Un
Original Equipment	Equipo Original	Équipement d'origine
Outlet	Salida	Sortie
Production	Produccion	Production
Special Edition	Edicion especial	Édition spéciale
Sport Suspension	Suspension deportiva	Suspension sport
Supercharger	Supercargador	Compresseur à suralimentation
Trim	Equipamiento	Garniture
Two	Dos	Deux
Up To	hasta	Jusqu'à
Value Package	Paquete plus	Ensemble avantageux
Wagon	Vagoneta	Familiale
Year	Año	Année

### IMPORTANT NOTICE

All listings, applications or interchanges contained in this catalog are based on the latest information available at the time of printing. Every effort has been made to ensure that the information contained in this catalog is correct, but we do not assume any responsibility for errors which may occur.

All references to manufacturers names or part numbers are only used as a guide when ordering AISIN parts.

## www.aisinaftermarket.com

### FEATURES

- Online Parts Catalog
- News/Press Release
- AISIN's Global Network
- Product Information
- Multi-Lingual
- & Much More



#### Online Parts Catalog

##### Save Valuable Time

A quick and simple point and click option allows you to look up any specific part number based on year, make and model.

#### AISIN Global Network

##### Beyond the Boundries

Explore beyond the AISIN aftermarket website and learn more about the AISIN brand through our vast global network.

#### Multi-Lingual

##### English / Spanish / French

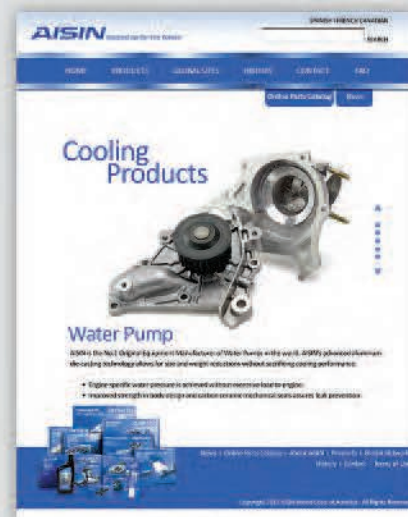
The entire AISIN aftermarket website (Not including the Global network) is available in three languages.

#### AISIN Global Network

##### AISIN Aftermarket Line-Up

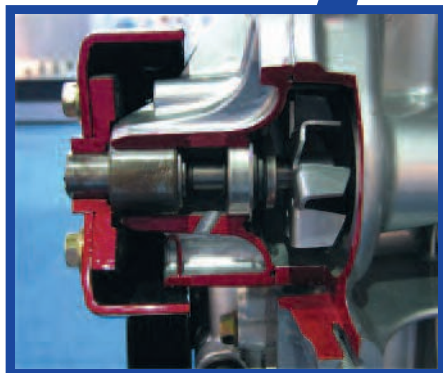
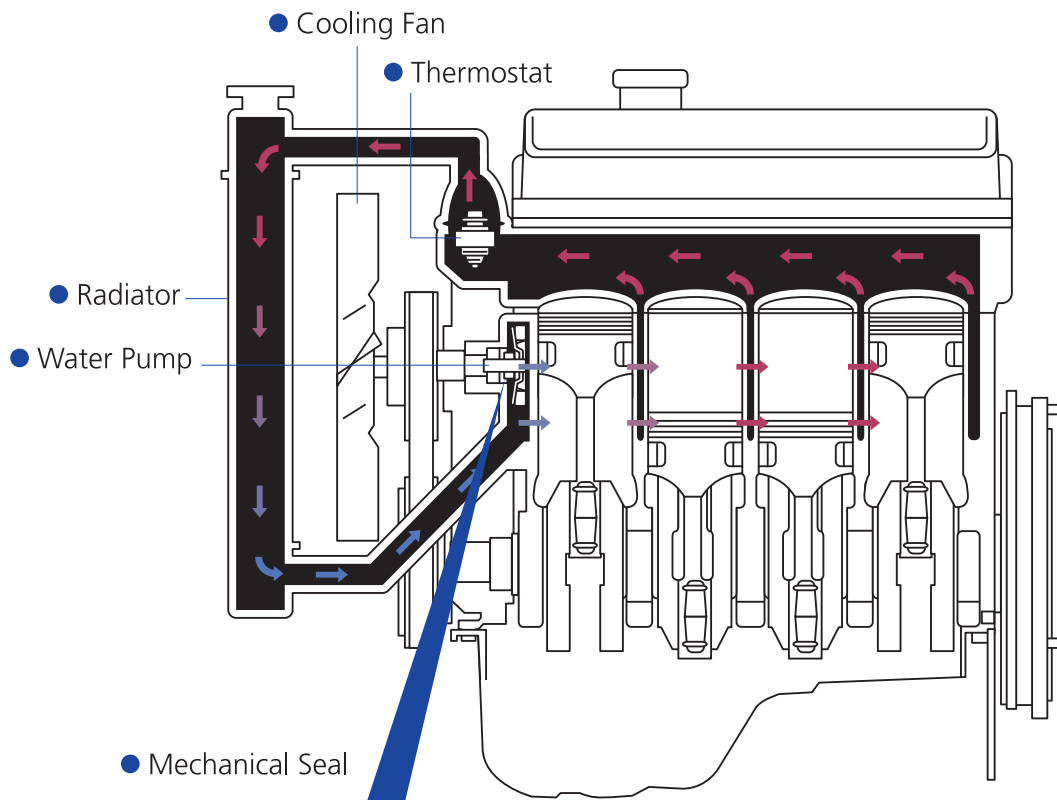
Explore AISIN's line-up of OE Matched quality parts including, cooling, drivetrain and engine products - All are produced to the same exacting standards that the original equipment manufacturers use in building a vehicle.

Download additional information and sales sheets for each product group.

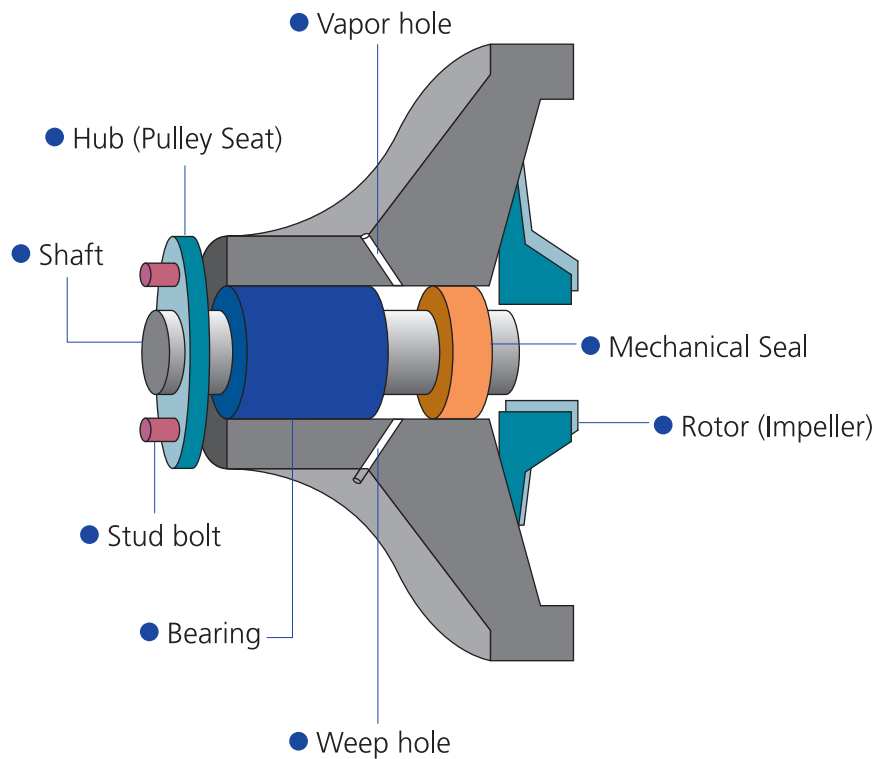


# I Operation Diagram

Optimum operating temperature in a water-cooled engine is provided by a system that circulates coolant through the engine block water jacket and the radiator. The water pump is the mechanism that maintains the constant flow of coolant. In most cases, the water pump is driven by a belt pulley system, where the pulley receives power from the engine's drive belt, timing belt, or fan belt.



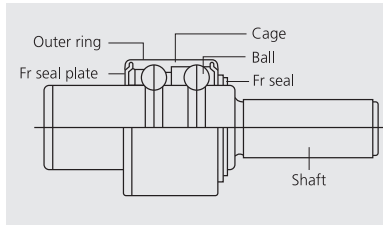
The structure of the water pump is comprised of the following components: pulley hub, body, shaft, bearing, mechanical seal and rotor (impeller). The shaft is mounted onto a bearing which is pressed into the water pump body. On one end of the shaft, a pulley hub is attached, while the other end is a rotor (impeller). The pulley hub transfers energy from the fan or timing belt into a rotation, spinning the shaft, therefore spinning the rotor. The rotor then circulates the coolant. A mechanical seal is installed to prevent leakage of coolant into the bearing and also supports the shaft for smooth rotation.



The body of the water pump is equipped with a vapor hole and a weep hole. The vapor hole relieves excess gas pressure seeping through the mechanical seal. The weep hole bleeds off excess coolant seeping through the mechanical seal. Both holes function as a safety to protect the shaft and the bearing from contamination.

## Bearing

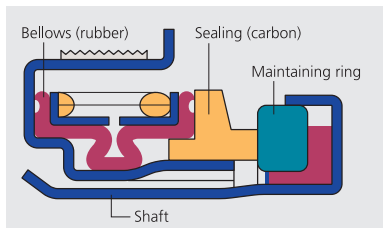
### ●Wear Resistance



The bearing relieves pressure on the shaft from the tension created by the fan or timing belt. Since pressure is continuously applied, a high quality bearing is of the utmost importance to protect the water pump from failing.

## Mechanical Seal

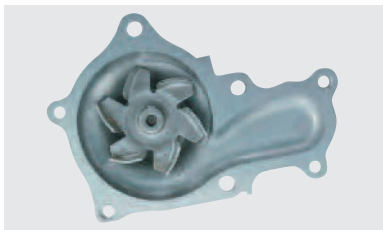
### ● Leakage Resistance



The mechanical seal prevents coolant leak as well as support the rotation of the shaft. The structure of the airtight seal and durable materials used also prevents unneeded noise and vibrations.

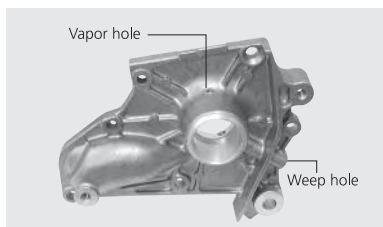
## Pump Rotor

### ●Corrosion Resistance



Quality materials for the rotor are a necessity to create and maintain complex geometry for the optimization of coolant flow, as well as resisting corrosion from rust, scaling of coolant and cavitation.

## Pump Body

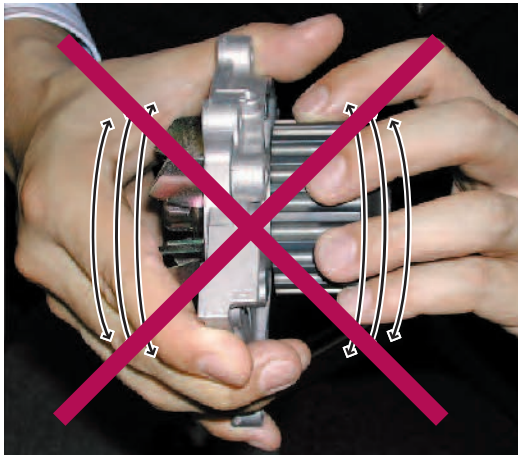


Quality materials are used to withstand heat, vibration and corrosion. Water channel is designed with optimal flow of coolant. Positioning of vapor hole and weep hole are key to prevent excess coolant from bearing and shaft contamination.



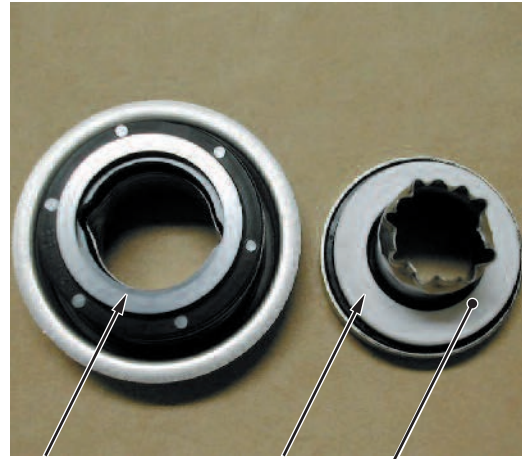
Do not manually turn the pulley before installation of the water pump. In the mechanical seal, the soft carbon block may create residue on the ceramic block, generating abnormal (squealing) noises during operation.

## 1. Do not dry turn the pulley!



**WARNING!**  
Dry turning will damage the mechanical seal. Pre-lubricate before turning.

## 2. Seal Damage Example: Mechanical Seal Inner View



Carbon block

Ceramic block

Dry turning will deposit carbon onto the ceramic block, causing squealing during operation.

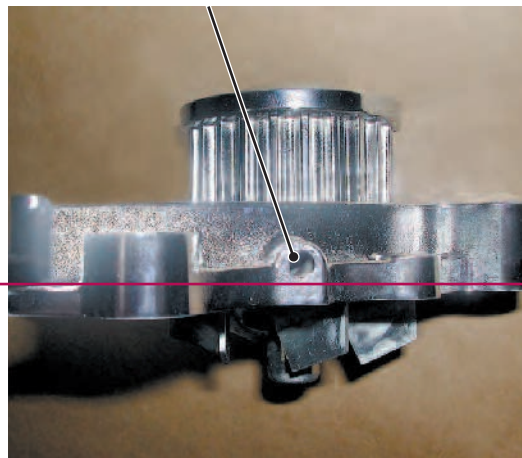
## 3. Pre-lubrication

Submerge the lower part of the pump body and the base of the rotor.



## 4. Water level

Caution: Do not submerge the weep hole or vapor hole in water.




Submerge the water pump body below the red line

### Precautions

It is recommended that the lower part of the water pump is submerged in water for approximately 3 minutes prior to installation. This is to form a layer of water between the carbon and ceramic blocks in the mechanical seal, and prevent abnormal (squealing) noises from being generated. (Some noise may be heard at initial start-up, but will disappear after engine warm-up.)

# V Installation Procedure

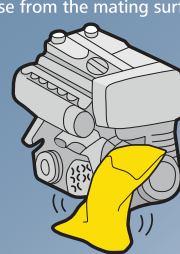
**1** Thoroughly flush the cooling system (radiator) 2-3 times to remove the stains and rust with the engine running and the original water pump still in place.



Drain and refill 2-3 times.

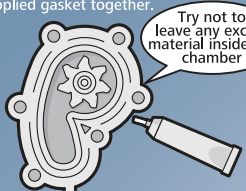
**Why?** To prevent water leakage caused by foreign materials caught in the mechanical seal.

**2** Before installation, remove the old gasket and other foreign materials with white gasoline or another solvent. Then, remove all oil and grease from the mating surface.



**Why?** To prevent water leakage from the mating surface.

**3** If the pump requires the liquid gasket, apply it evenly on the seal. If gaskets are supplied with the pump, use the supplied gaskets only. \*Do not use the liquid gasket and supplied gasket together.

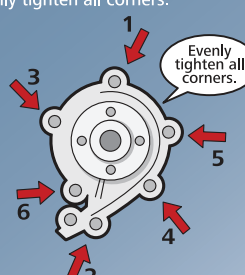


Try not to leave any excess material inside the chamber.

**Why?** If the liquid gasket gets into the water chamber, it will get caught in the mechanical seal, causing water leakage.

\*Please refer to section VI for details on how to apply liquid gasket.

**4** Fasten bolts with the torque specified by the car manufacturer to evenly tighten all corners.



Evenly tighten all corners.

**Why?** To prevent water leakage from the mating surface.

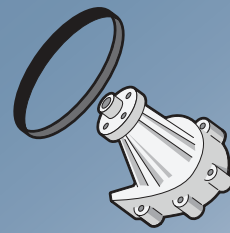
**5** When installing other parts such as a pulley or fan coupling, make sure to prevent failures caused by foreign materials that get caught. For vehicles with a fan coupling, make sure there is no rust or looseness, and then use a dial gauge to check the run-out accuracy after installation.



No foreign materials.


**Why?** To prevent foreign materials from getting caught which leads to eccentricity (excess vibration) and looseness on the pulley and fan coupling. This may cause the parts to fall off or get damaged.

**6** Adjust the belt tension to the tension specified by the car manufacturer.



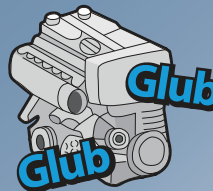
**Why?** To prevent damage to the shaft parts (body and bearing) that might be caused by excess tension on the belt.

**7** When changing the pump, fill the new LLC to the specified amount and density.



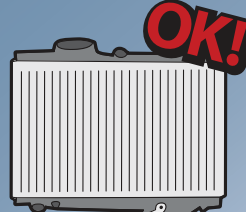
**Why?** If the pump spins without having enough LLC, the mechanical seal gets worn down, causing water leakage and abnormal noise.

**8** Make sure to thoroughly remove all the air before filling the radiator and reservoir tank to the specified amount.



**Why?** If the pump spins without having enough LLC, the mechanical seal gets worn down, causing water leakage and abnormal noise.

**9** After checking the LLC level and belt tension again, start the engine.




## Warning

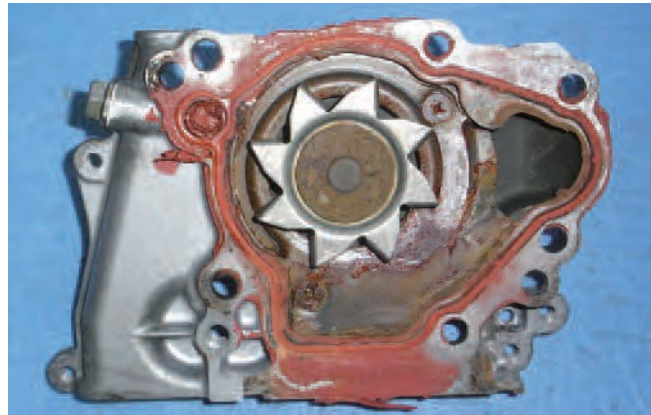
- For your safety, please follow the directions. Inaccurate installation may lead to injury or breakdowns.
- The water pump is a consumable part, and if it breaks down it can disable operation. It is recommended to change the pump on a regular basis such as when getting your car major-serviced, changing the timing belt, and etc.

Use only the gaskets and O-rings supplied with the water pump. Combined usage of the liquid gaskets and supplied gaskets (or O-rings) could result in water leakage or other serious problems.

Possible issue 1: Liquid gasket is used instead of the supplied gasket



Possible issue 2: Liquid gasket is used instead of the supplied O-ring



**If liquid gasket is used with supplied gaskets or O-rings**

The debris of the liquid gasket enters inside

The debris of the liquid gasket enters inside the mechanical seal

Dirt accumulates on the surface of mechanical seal and it wears down

This results in coolant leakage

The surface of a worn down mechanical seal due to the liquid gasket debris.





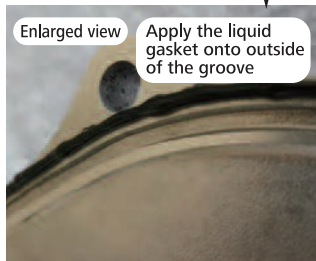
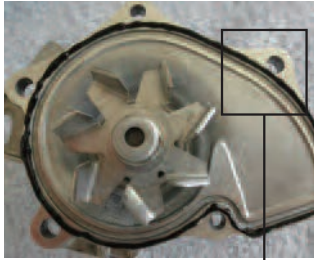
# VI Gasket Installation

## How to apply the liquid gasket

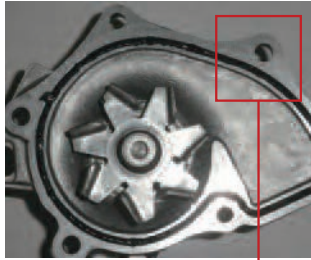
Where to apply the liquid gasket on the mating surface of the engine

### For Toyota vehicles

#### Good example



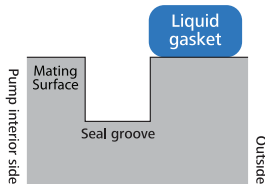
#### Poor example



#### Good example

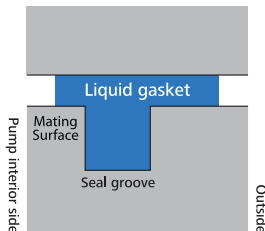
Cross Section view of mating surface of the engine

The position where the liquid gasket is applied



By applying the liquid gasket onto the outside of the seal groove, the mating surface gets sealed as shown below.

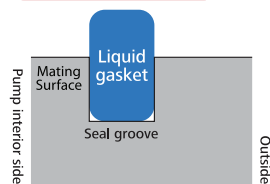
When installing onto the engine



#### × Poor example

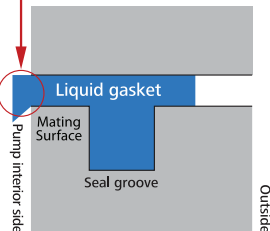
Cross Section view of mating surface of the engine

The position where the liquid gasket is applied

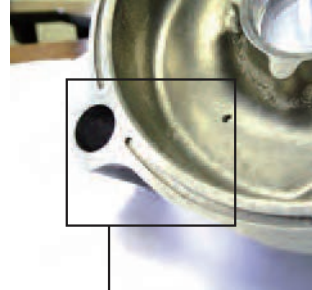


By applying the liquid gasket directly into the seal groove, the liquid gasket gets pushed out from the mating surface into the interior of the pump, resulting in debris that would cause water leakage.

When installing onto the engine

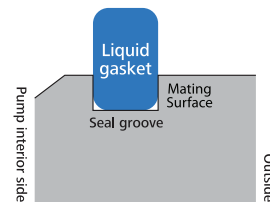


### For Nissan vehicles



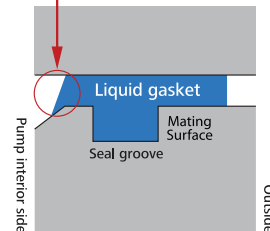
Cross-section view of the mating surface of the engine

The position where the liquid gasket is applied



By applying the liquid gasket into the seal groove, a small notch on the mating surface holds excess gasket and it gets sealed as shown below.

When installing onto the engine



## Water Pump Failures

## Leakage

Location	Symptom	Cause
Weep hole	Foreign material caught in the mechanical seal	<ul style="list-style-type: none"> <li>● Rusting caused by coolant degradation</li> <li>● Excess sealant (RTV) entered the water pump cavity</li> </ul>
	Rough surface of the mechanical seal	<ul style="list-style-type: none"> <li>● Rust caused by coolant degradation</li> <li>● Insufficient cleaning of the radiator</li> </ul>
	Burned mechanical seal	<ul style="list-style-type: none"> <li>● Engine started without coolant</li> </ul>
	Fracture	<ul style="list-style-type: none"> <li>● Excessive pulley tension</li> </ul>
Mounting surface	Contamination (dirt/grime)	<ul style="list-style-type: none"> <li>● Insufficient removal of the sludge on the engine mounted surface</li> </ul>
	Installation error	<ul style="list-style-type: none"> <li>● Damage/deformation of the mounting surface</li> <li>● Sealant (RTV) applied unevenly</li> <li>● Bolts tightened unevenly</li> </ul>
	Fractured/deformed gasket	<ul style="list-style-type: none"> <li>● Gasket damaged in shipping</li> <li>● Bolts tightened unevenly or an impact wrench was used</li> </ul>
Body fracture	Cavitation	<ul style="list-style-type: none"> <li>● Coolant degradation</li> <li>● Insufficient air bleeding</li> <li>● Insufficient flushing of the radiator</li> </ul>
	Blowhole	<ul style="list-style-type: none"> <li>● Cast failure</li> </ul>
	Mounting screw fracture	<ul style="list-style-type: none"> <li>● Bolts were tightened excessively</li> </ul>



## Water Pump Failures

## Abnormal noise

Location	Symptom	Cause
Bearing	Noise: Rumbling Locked bearing	<ul style="list-style-type: none"> <li>● Bearing fracture caused by excess belt tension</li> <li>● Bearing fracture caused by excess vibration of the fan coupling pulley</li> </ul>
Mechanical seal	Noise: Whining	<ul style="list-style-type: none"> <li>● Dry turning of the pulley caused carbon residue to form on the ceramic block</li> <li>● Engine started without coolant</li> </ul>
Pulley	Noise: Squeak	<ul style="list-style-type: none"> <li>● Slipping belt (insufficient belt tension)</li> </ul>

## Water Pump Failures

## Others

Location	Symptom	Cause
Impeller crimp	Damaged crimp	<ul style="list-style-type: none"> <li>● Corrosion caused by coolant degradation</li> <li>● Insufficient flushing of the radiator</li> </ul>
Impeller corrosion	Impeller wear/corrosion	<ul style="list-style-type: none"> <li>● Corrosion caused by coolant degradation</li> <li>● Insufficient flushing of the radiator</li> </ul>
Run-out of the pulley bearing	Pressure Leak	<ul style="list-style-type: none"> <li>● Excessive run-out of the fan coupling pulley</li> <li>● Contamination (dirt/grime) on the mounting surface</li> <li>● Sealant (RTV) applied unevenly</li> </ul>

## 1 Weep Hole Coolant Leak

### Condition

- The weep hole protects bearings from corrosion damage by preventing seepage of coolant into the pump body.
- In normal operation, traces of dried coolant may be visible around the weep hole. A coolant leak may be occurring if there is fluid around the weep hole, or if the reservoir tank reaches low coolant levels within about a month.

### Cause

- Contamination and sludge has damaged the mechanical seal, reducing sealing performance.

### Cure

- Before installing the new water pump, flush the cooling system 2 - 3 times and let engine idle for about 3 minutes with the old pump to remove any sludge deposit.
- Replace the anti-freeze regularly at the specified mixture and fluid level.
- **Do not use sealants (RTV) when gaskets are supplied.**
- When sealants are necessary, apply evenly and do not allow excess to enter the water channel.

### ① Coolant degradation



New



Aged\*

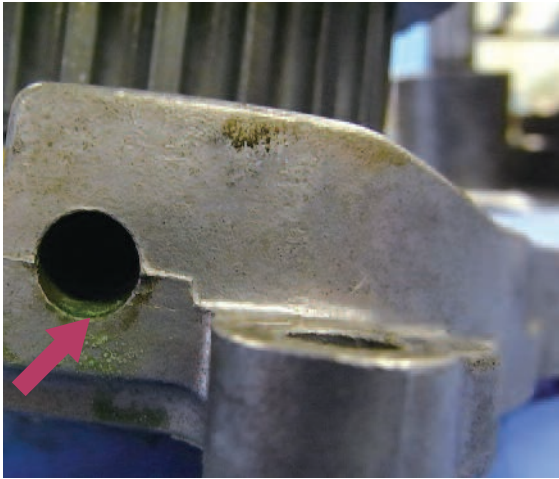
\*Aged coolant deteriorates over time and coloration may darken.

### ATTENTION

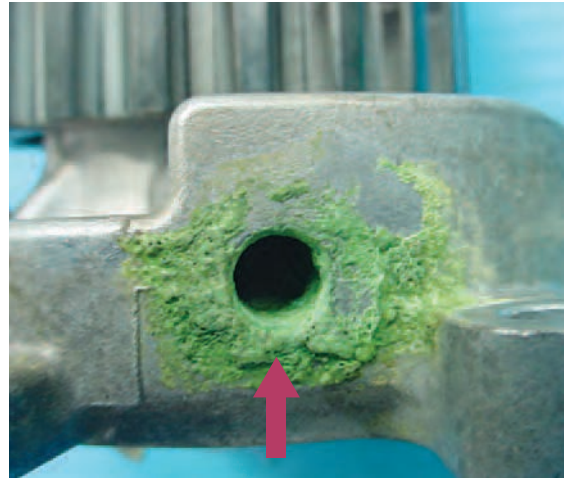
Older coolants have higher risks of leakage.

- Always flush the radiator and replace with new coolant.
- Replace coolant regularly.

## ② Fair and Poor, leak from the weep hole

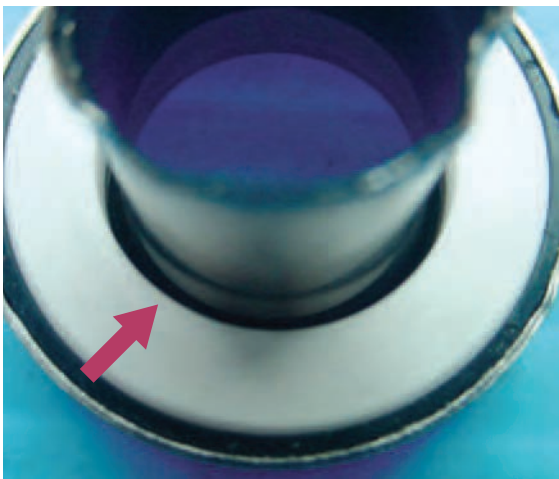


Normal Dried coolant residue.



Damaged Large coolant bleed mark, dampness or dripping.

## ③ Fair and Poor, mechanical seal ceramic



Normal Clean ceramic.



Damaged Accumulated sludge  
(Contaminated coolant).

## 2 Seepage

### Condition

- Seepage from the mounting surface
- Fractured/deformed gasket
- Unevenly tightened bolts (one side)

### Cause

- Deterioration of the sealing performance caused by unevenly applied sealant (RTV)
- Deterioration of the sealing performance caused by the use of adhesives
- Sealants used on the O-ring deteriorated the elasticity of the rubber
- Bolts tightened unevenly
- Contamination (dirt/grime) on mounting surface
- Mounting surface dented caused by mishandling

### Cure

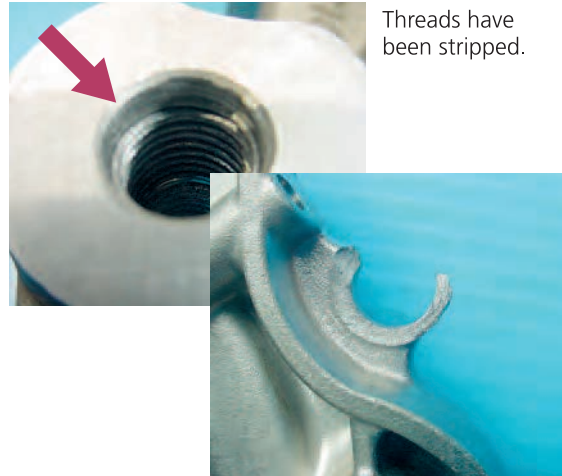
- Use manufacturer specified sealant
- Do not use sealants when gaskets are supplied
- Do not use adhesives in place of sealants or gaskets
- Install the water pump bolts in a diagonal (star) pattern and apply torque specified by the vehicle manufacturer
- Clean mounting surface free of contaminants
- Do not re-use old gaskets and previously applied sealant

## ① Poor application of sealant



Sealant has interfered with the mechanical seal causing leaks.

## ② Excess torque of the mounting bolt



Threads have been stripped.

Unevenly tightened or over torqued.

## ③ Poor cleaning of the mounting surface



Insufficient accuracy on the mounting surface.

## ④ Sealant used on supplied gasket



Gasket performance has degraded.



## 3 Overheating

### Condition

- Corrosion of the impeller
- Fracture of the bearing
- Internal corrosion of the water pump body

### Cause

- Old/used coolant
- Coolant deterioration
- Insufficient flushing of the radiator

### Cure

- Discontinue use of old coolant
- Fully flush the radiator
- Replace coolant with manufacturer's specified mixture and fluid level

### ① Coolant degradation



Contamination of water pump body

Impeller corrosion

### ② Cavitation



Cavitation

Corrosion around crimp

## 4 Abnormal Noises

### Condition

- Rumbling sound heard when manually turning the pulley
- Abnormal wear at the base of the stud bolts
- Scratches and flecks found around the bearing during disassembly
- Contamination of the pulley seat

### Cause

- Bearing fracture caused by excess belt tension
- Bearing was fractured due to excess vibrations caused by misalignment of parts such as the fan coupling pulley
- Uneven torque of bolts resulted in bearing failure
- Contamination of the pulley seat

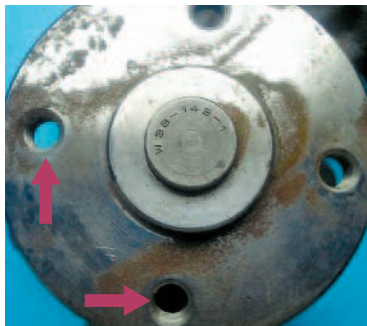
### Cure

- Tighten belt tension to vehicle manufacturer specifications
- If the fan coupling pulley is reused, confirm the run-out with a dial indicator
- Replace fan coupling pulley with new on older vehicles or high mileage engines
- Confirm that the bearing is lubed and free of rust, and replace if necessary

### ① Flecking at the pulley seat

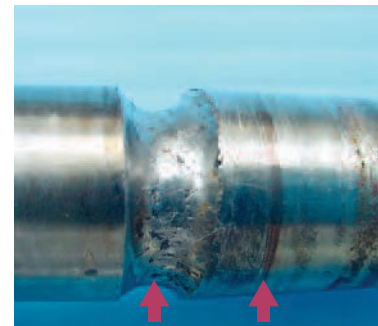


Flecking at the pulley seat



Damage at the stud bolt ends

### ② Flecking at the bearing



Damage due to overload and seepage

Damage due to excessive backlash

## 5 Other ① Failure arisen from coolant

### Condition

- Corrosion of the water pump due to poor flushing of the radiator, lack of regular replacement or reuse of old coolant

### Cause

- Insufficient flushing of the radiator
- Coolant was not replaced or had been reused
- Incorrect coolant mixture or fluid level

### Cure

- Fully flush the radiator
- Replace with new coolant when changing the water pump
- Use correct coolant mixture
- Fill system to the correct fluid level
- Bleed cooling system of air

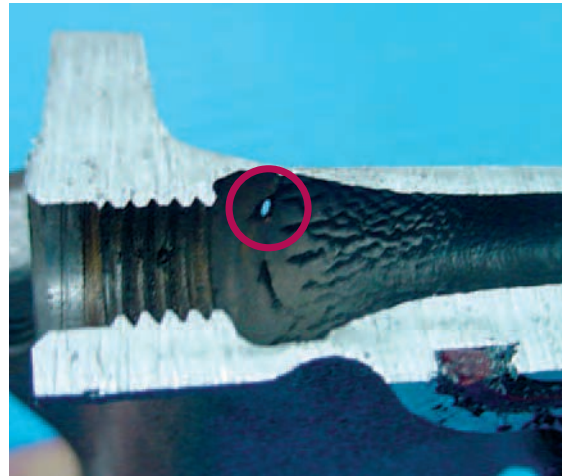
## Coolant

When replacing the water pump, flush the coolant system 2 to 3 times to wash out sludge, scale and rust deposits. Replace coolant to the manufacturer's specified mixture and fluid level. Re-using or using degraded coolant will corrode the body, impeller and mechanical seals.

### ① Severely corroded impeller



### ② Fracture caused by cavitation



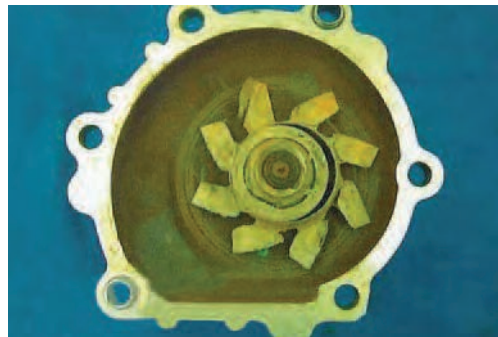
## Corrosion of impeller

No corrosion can be seen on the impeller when the coolant is clean.



Mileage: 48,000 km (30,000 miles)  
 Period: Approximately 1.6 years  
 Total mileage: 149,000 km (92,500 miles)

Corrosion can be seen on the impeller when the coolant is degraded (contaminated / deteriorated).



Mileage: 7,500 km (4,700 miles)  
 Period: Approximately 1 year  
 Total mileage: 105,000 km (65,000 miles)

## ② Trouble caused by incorrectly installed or damaged fan coupling

### Condition

- Fracture of the water pump body
- Fracture of the water pump bearing

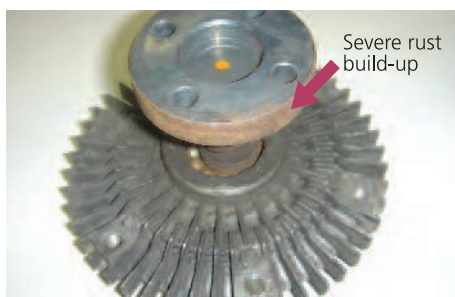
### Cause

- Damaged fan coupling was reused
- Fan coupling was not installed correctly (off-centered)

### Cure

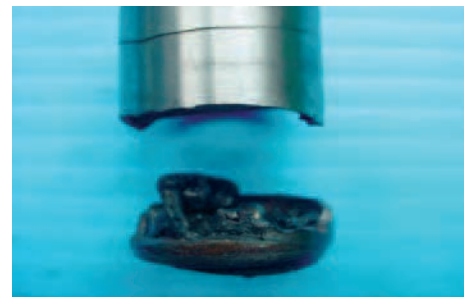
- Install new fan coupling when replacing water pump
- If fan coupling is reused, ensure that:
  - there is no binding or play in the bearing
  - the components are free of rust and debris
  - check for run-out with a dial indicator

### ① Enlarged view of a fan coupling



If usage is continued

### ② Fractured bearing



### ③ Fractured body





# **AISIN**

## *Part Number Legend*

*The first two letters of the AISIN Part Number reflect the product category.  
The third letter reflects the make and model.*

### **PRODUCT**

**WP - Water Pump**  
**TK - Timing Belt Kit**  
**BT - Timing Belt Tensioner**  
**FB - Fan Pulley Bracket**  
**FC - Fan Clutch**

### **MAKE**

**C - CHRYSLER - Dodge, Plymouth**  
**D - DAIHATSU**  
**F - SUBARU - Saab**  
**G - ISUZU - Acura, Chevrolet, GMC, Honda**  
**H - HONDA - Acura, Isuzu, Sterling, Saturn**  
**K - KIA**  
**M - MITSUBISHI - Chrysler, Dodge, Eagle,  
Hyundai, Plymouth**  
**N - NISSAN - Infiniti, Mercury**  
**S - SUZUKI - Chevrolet, Geo**  
**T - TOYOTA - Lexus, Scion, Chevrolet, Geo**  
**V - VOLVO**  
**Y - HYUNDAI**  
**Z - MAZDA - Ford, Kia**

# Water Pump



AISIN is the No.1 Original Equipment Manufacturer of Water Pumps in the world. AISIN's advanced aluminum die-casting technology allows for size and weight reductions without sacrificing cooling performance.

- Engine specific water pressure is achieved without excessive load to engine.
- Improved strength in body design and carbon ceramic mechanical seals assures leak prevention.

# IMPORTANT NOTICE

## Water Pumps with "Housing"

AISIN provides some popular water pumps with a "Housing" as noted in the vehicle applications catalog. Depending on the vehicle application, this "Housing" is an extra component which could constitute the thermostat mounting, a water channel plate, a water inlet or water outlet housing which directly mounts to the water pump. It is also possible to get the water pumps by themselves if the "Housing" does not need replacement.

Example of a Water Pump WITH and WITHOUT Housing: WPT-010 and WPTK-010  
The WPTK-010 includes a Thermostat Housing that mounts behind the water pump.



Front: WPT-010 and WPTK-010



Rear: WPTK-010

## CAUTION

Vehicle applications of "Water Pumps with Housings" can be substituted with the equivalent "Water Pump Only", but not all "Water Pump Only" applications will accommodate the "Water Pumps with Housing".

Please refer to the list below that shows the equivalent "Water Pump Only" part numbers.

With Housing Water Pumps		Equivalent Water Pump Only
WPT-046	→	WPT-003
WPT-011	→	WPT-006
WPT-022	→	WPT-008
WPT-108	→	WPT-018
WPT-110	→	WPT-038
WPT-033	→	WPT-078
WPT-109	→	WPT-113
WPTK-010	→	WPT-010



# Water Pump Applications

Water Pump

Make/Model	Year	Engine	Attributes	Notes	Part #
<b>Acura</b>					
CL	1997	2.2L L4 2156cc	F22B1		WPH-001
	1997-1999	2.3L L4 2254cc	F23A1		WPH-800
	1997-1999	3.0L V6 2997cc	J30A1		WPH-001
	2001-2003	3.2L V6 3210cc	J32A1		WPH-800
J32A2				WPH-800	
Integra	1986-1989	1.6L L4 1590cc	D16A1		WPH-013
	1992-1993	1.7L L4 1678cc	B17A1		WPH-034
	1990-1991	1.8L L4 1834cc	B18A1		WPH-005
	1994-1995	1.8L L4 1834cc	B18B1		WPH-005
Legend	1986-1987	2.5L V6 2494cc	C25A1		WPH-008
	1987-1990	2.7L V6 2675cc	C27A1		WPH-008
	1991-1995	3.2L V6 3206cc	C32A1	With two outlets	WPH-007
With one outlet				WPH-036	
MDX	2001-2002	3.5L V6 3471cc	J35A3		WPH-800
	2003-2004	3.5L V6 3471cc	J35A5		WPH-801
	2007-2012	3.7L V6 3664cc	J37A1		WPH-801
RL	1996-2004	3.5L V6 3475cc	C35A1		WPH-042
	2005-2008	3.5L V6 3471cc	J35A8		WPH-801
	2009-2012	3.7L V6 3664cc	J37A2		WPH-801
SLX	1998-1999	3.5L V6 3494cc	6VE1		WPG-030
TL	1995-1998	2.5L L5 2451cc	G25A4		WPH-004
	1996-1998	3.2L V6 3206cc	C32A6		WPH-040
	1999-2003	3.2L V6 3210cc	J32A1		WPH-800
			J32A2		WPH-800
	2004-2008	3.2L V6 3210cc	J32A3		WPH-801
	2007-2008	3.5L V6 3471cc	J35A8		WPH-801
			J35A8; Type-S		WPH-801
	2010-2011	3.5L V6 3471cc	J35Z6		WPH-801
2009-2012	3.7L V6 3664cc	J37A4		WPH-801	
		J37A4; AWD		WPH-801	
TSX	2004-2008	2.4L L4 2354cc	K24A2		WPH-054
Vigor	1992-1994	2.5L L5 2451cc	G25A1		WPH-004
ZDX	2010-2012	3.7L V6 3664cc	J37A5		WPH-801
<b>Chevrolet</b>					
Metro	1998-1999	1.0L L3 993cc	VIN 6		WPS-007
	1992-2001	1.3L L4 1295cc	GSi		WPS-007
			Lsi		WPS-007
Nova	1985-1988	1.6L L4 1588cc	CARB; VIN 4		WPT-003
			FWD; VIN 4	Water Pump With Housing	WPT-046
			FI; VIN 5		WPT-055
Prizm	1998-2002	1.8L L4			WPT-106
Sprint	1989-1991	1.0L L3 993cc	Turbocharged		WPS-007
			Naturally Aspirated		WPS-007
W3500 Tiltmaster	2001-2004	4.8L L4 2	4HE1; DIESEL; Turbocharged		WPG-028
	2005-2007	5.2L L4 317 CID	4HK1; DIESEL; Turbocharged		WPG-027
W4500 Tiltmaster	2001-2004	4.8L L4 2	4HE1; DIESEL; Turbocharged		WPG-028
	2005-2007	5.2L L4 317 CID	4HK1; DIESEL; Turbocharged		WPG-027
W5500 Tiltmaster	2001-2004	4.8L L4 2	4HE1; DIESEL; Turbocharged		WPG-028



Make/Model	Year	Engine	Attributes	Notes	Part #
<b>Chevrolet</b>					
W5500 Tiltmaster	2005-2007	5.2L L4 317 CID	4HK1; DIESEL; Turbocharged		WPG-027
W5500HD Tiltmaster	2004	4.8L L4 2	4HE1; DIESEL; Turbocharged		WPG-027
	2005-2007	5.2L L4 317 CID	4HK1; DIESEL; Turbocharged		WPG-027
<b>Chrysler</b>					
Cirrus	1999	2.4L L4 2429cc	EDZ	Water Pump With Housing	WPM-059
	1995-2000	2.5L V6 2497cc	EEB	Water Pump With Housing	WPM-059
Daytona	1990-1993	3.0L V6 2972cc		Water Pump With Housing	WPM-014
Grand Voyager	2000	3.0L V6 2972cc		Water Pump With Housing	WPM-014
LeBaron	1990-1993	3.0L V6 2972cc		Water Pump With Housing	WPM-014
New Yorker	1988-1989	3.0L V6 2972cc		Water Pump With Housing	WPM-014
TC Maserati	1990-1991	3.0L V6 2972cc		Water Pump With Housing	WPM-014
Voyager	2000	3.0L V6 2972cc		Water Pump With Housing	WPM-014
<b>Daihatsu</b>					
Charade	1988-1992	1.0L L3 993cc			WPD-013
		1.3L L4 1295cc			WPD-013
<b>Dodge</b>					
Caravan	1987-2000	3.0L V6 2972cc	FI	Water Pump With Housing	WPM-014
Challenger	1978-1979	1.6L L4 1597cc			WPM-006
Colt	1981-1984	1.4L L4 1410cc	VIN 2		WPM-001
			CARB; DL		WPM-001
	1985-1992	1.5L L4 1468cc			WPM-001
	1978-1979	1.6L L4 1597cc	Custom		WPM-006
	1981-1983	1.6L L4 1597cc			WPM-009
	1984-1990	1.6L L4 1597cc	FI; Turbocharged		WPM-009
			FI; CARB		WPM-009
	1993	1.8L L4 1834cc			WPM-003
	1994	1.8L L4 1834cc			WPM-045
	1984-1991	2.0L L4 1995cc			WPM-010
Conquest	1986	2.6L L4 2555cc			WPM-022
Daytona	1990-1993	3.0L V6 2972cc		Water Pump With Housing	WPM-014
Dynasty	1988-1993	3.0L V6 2972cc		Water Pump With Housing	WPM-014
Grand Caravan	1987-1989	3.0L V6 2972cc		Water Pump With Housing	WPM-014
	1990-2000	3.0L V6 2972cc		Water Pump With Housing	WPM-014
Power Ram 50	1983-1984	2.0L L4 1997cc	CARB		WPM-004
	1983-1985	2.3L L4 2346cc	DIESEL; Turbocharged		WPM-002
Raider	1989	3.0L V6 2972cc	FI	Water Pump With Housing	WPM-013
Ram 50	1983-1989	2.0L L4 1995cc	CARB		WPM-004
	1983-1985	2.3L L4 2346cc	DIESEL; Royal; Sport; Turbocharged		WPM-002
	1990-1991	3.0L V6 2972cc		Water Pump With Housing	WPM-013
Shadow	1992-1994	3.0L V6 2972cc		Water Pump With Housing	WPM-014
Spirit	1989-1995	3.0L V6 2972cc		Water Pump With Housing	WPM-014
Stealth	1991-1996	3.0L V6 2972cc		Water Pump With Housing	WPM-014
Stratus	1995-1998	2.5L V6 2497cc	EEB	Water Pump With Housing	WPM-059
	2001-2002	3.0L V6 2972cc		Water Pump With Housing	WPM-059
<b>Eagle</b>					
2000 GTX	1991-1993	2.0L L4 1997cc			WPM-012
Summit	1989-1996	1.5L L4 1468cc			WPM-001
	1992-1993	1.8L L4 1834cc			WPM-003
	1994-1996	1.8L L4 1834cc			WPM-045
	1993-1996	2.4L L4 2351cc			WPM-048





Make/Model	Year	Engine	Attributes	Notes	Part #
<b>Eagle</b>					
Talon	1993-1994	1.8L L4 1755cc			WPM-009
	1990-1994	2.0L L4 1997cc	Turbocharged		WPM-012
	1995-1998	2.0L L4 1997cc	Turbocharged		WPM-048
Vista	1990-1991	1.5L L4 1468cc			WPM-001
<b>Ford</b>					
Courier	1972-1976	1.8L L4 1796cc			WPZ-007
	1979-1981	2.0L L4 1989cc			WPZ-007
Probe	1993-1997	2.0L L4 1989cc			WPZ-021
	1989-1992	2.2L L4 133 CID	Naturally Aspirated		WPZ-002
			Turbocharged		WPZ-002
Taurus	1989-1995	3.0L V6 1		Water Pump With Housing	WPT-401
	1993-1995	3.2L V6 195 CID		Water Pump With Housing	WPT-402
	1996-1999	3.4L V8 207 CID		Water Pump With Housing	WP-8950
<b>Geo</b>					
Metro	1989-1997	1.0L L3 993cc			WPS-007
Prizm	1989-1992	1.6L L4 1587cc	4AFE		WPT-003
			4AFE	Water Pump With Housing	WPT-046
	1990-1992	1.6L L4 1587cc	4AGE; Gsi		WPT-055
	1993-1997	1.6L L4 1588cc			WPT-018
1.8L L4 1788cc				WPT-078	
Tracker	1989-1997	1.6L L4 1588cc			WPS-006
<b>GMC</b>					
W3500 Forward	2001-2004	4.8L L4 2	4HE1; DIESEL; Turbocharged		WPG-028
	2005-2007	5.2L L4 317 CID	4HK1; DIESEL; Turbocharged		WPG-027
W4500 Forward	2001-2004	4.8L L4 2	4HE1; DIESEL; Turbocharged		WPG-028
	2005-2007	5.2L L4 317 CID	4HK1; DIESEL; Turbocharged		WPG-027
W5500 Forward	2001-2004	4.8L L4 2	4HE1; DIESEL; Turbocharged		WPG-028
	2005-2007	5.2L L4 317 CID	4HK1; DIESEL; Turbocharged		WPG-027
W5500HD Forward	2004	4.8L L4 2	4HE1; DIESEL; Turbocharged		WPG-027
	2005-2007	5.2L L4 317 CID	4HK1; DIESEL; Turbocharged		WPG-027
<b>Honda</b>					
Accord	1979-1981	1.8L L4 1751cc	EK1		WPH-025
	1984-1985	1.8L L4 1829cc	ES2		WPH-012
	1986	2.0L L4 1955cc	BS; BT		WPH-003
	1987-1989	2.0L L4 1955cc	A20A1; CARB		WPH-003
			A20A3; FI		WPH-003
	1990-1992	2.2L L4 2156cc	F22A1		WPH-001
			F22A4		WPH-001
			F22A6		WPH-001
	1994-1997	2.2L L4 2156cc	F22B1		WPH-001
			F22B2		WPH-001
	1998-1999	2.3L L4 2254cc	F23A1		WPH-001
			F23A4		WPH-001
			F23A5		WPH-001
	2003-2007	2.4L L4 2354cc	K24A4	Exc. Japan Built Vehicle	WPH-054
			K24A8;	Exc. Japan Built Vehicle	WPH-054
	1995-1997	2.7L V6 2675cc	C27A4		WPH-008
	1998-1999	3.0L V6 2997cc	J30A1		WPH-800
2003-2005	3.0L V6 2977cc	J30A4		WPH-801	
2005-2006	3.0L V6 2997cc	JNA1; ELECTRIC		WPH-801	
2006-2007	3.0L V6 2997cc	J30A5		WPH-801	



Make/Model	Year	Engine	Attributes	Notes	Part #
<b>Honda</b>					
Accord	2008-2012	3.5L V6 3471cc	J35Z2		WPH-801
			J35Z3		WPH-801
Accord Crosstour	2010-2011	3.5L V6 3471cc	J35Z2		WPH-801
Civic	1984-1986	1.3L L4 1342cc	EV1		WPH-010
	1987	1.3L L4 1342cc	D13A2; CARB		WPH-010
	1986-1988	1.5L L4 1487cc	EW1		WPH-010
	1988-1995	1.5L L4 1493cc	D15B2		WPH-002
			D15B7		WPH-002
			D15B8		WPH-002
			D16A6		WPH-002
	1992-1995	1.5L L4 1493cc	D15Z1		WPH-006
		1.6L L4 1590cc	D16Z6		WPH-006
	1996-2000	1.6L L4 1590cc	D16Y5		WPH-011
			D16B5		WPH-011
	1999-2000	1.6L L4 1595cc	B16A2		WPH-011
			D16Y7		WPH-011
			D16Y8		WPH-011
	2001-2005	1.7L L4 1668cc	D17A1		WPH-044
			D17A2		WPH-044
D17A6				WPH-044	
D17A7				WPH-044	
2006-2007	1.8L L4 1799cc	R18A1		WPH-802	
2008-2009	1.8L L4 1799cc	R18A1		WPH-802	
2006-2011	1.8L L4 1799cc	R18A4		WPH-802	
Civic del Sol	1993-1995	1.5L L4 1493cc	D15B7		WPH-002
	1994-1995	1.6L L4 1590cc	B16A3		WPH-034
Crosstour	2012	3.5L V6 3471cc	J35Z2		WPH-801
CR-V	2007-2008	2.4L L4 2354cc	K24Z1	Exc. Japan Built Vehicle	WPH-054
CRX	1988-1991	1.5L L4 1493cc	D15B2		WPH-002
			D15B6		WPH-002
			D16A6		WPH-002
Element	2003-2004	2.4L L4 2354cc	K24A4		WPH-054
	2007-2008	2.4L L4 2354cc	K24A8		WPH-054
Odyssey	1995-1998	2.2L L4 2156cc	F22B6		WPH-001
	1998	2.3L L4 2234cc	F23A7		WPH-001
	1999-2000	3.5L V6 3474cc	J35A1		WPH-800
	2002-2004	3.5L V6 3474cc	J35A4		WPH-800
	2005-2007	3.5L V6 3471cc	J35A6		WPH-801
			J35A7		WPH-801
	2008-2010	3.5L V6 3471cc	J35A6		WPH-801
			J35A7		WPH-801
2011-2012	3.5L V6 3471cc	J35A8		WPH-801	
Passport	1998-1999	3.2L V6 3165cc	6VD1		WPG-030
Pilot	2003-2004	3.5L V6 3475cc	J35A4		WPH-800
	2005	3.5L V6 3471cc	J35A6		WPH-801
	2006-2007	3.5L V6 3471cc	J35A9		WPH-801
			J35Z1		WPH-801
	2008	3.5L V6 3471cc	J35A9		WPH-801
			J35Z1		WPH-801
2009-2012	3.5L V6 3471cc	J35Z4		WPH-801	
Prelude	1979	1.8L L4 1751cc	EK1		WPH-025
	1981-1982	1.8L L4 1751cc	EK1		WPH-012
	1983	1.8L L4 1829cc			WPH-012
	1984	1.8L L4 1829cc	ET2		WPH-012
	1985-1986	1.8L L4 1829cc	ET2; CARB		WPH-012



Make/Model	Year	Engine	Attributes	Notes	Part #
<b>Honda</b>					
Prelude	1987	1.8L L4 1829cc	A18A1; CARB		WPH-012
	1985-1986	2.0L L4 1955cc	FI		WPH-003
	1988-1991	2.0L L4 1958cc	B20A5; FI		WPH-016
	1988-1989	2.0L L4 1958cc	CARB		WPH-023
	1990-1991	2.1L L4 2056cc	B21A1; FI		WPH-016
	1992-1996	2.2L L4 2156cc	F22A1 H23A1		WPH-001 WPH-018
Ridgeline	2006-2007	3.5L V6 3471cc	J35A9		WPH-801
	2008	3.5L V6 3471cc	J35A9		WPH-801
	2009-2012	3.5L V6 3471cc	J35Z5		WPH-801
Wagovan	1984	1.5L L4 1487cc	EW1		WPH-010
	1986	1.5L L4 1487cc			WPH-010
<b>Hyundai</b>					
Accent	1995-1997	1.5L L4 1495cc	L		WPM-001
			GL		WPM-001
			GT		WPM-001
	1998-2001	1.5L L4 1495cc	G4EK		WPM-001
Elantra	1993-1995	1.8L L4 1836cc	VIN M		WPM-012
Excel	1986-1994	1.5L L4 1468cc			WPM-001
Scoupe	1991-1995	1.5L L4 1468cc	LS		WPM-001
			Turbocharged		WPM-001
Sonata	1992-1993	2.0L L4 1997cc			WPM-012
	1998	2.0L L4 1997cc	G4CP		WPM-012
	1989	2.4L L4 2351cc			WPM-010
	1990-1991	2.4L L4 2351cc			WPM-010
		3.0L V6 2972cc		Water Pump With Housing	WPM-014
1998	3.0L V6 2972cc	G6AT	Water Pump With Housing	WPM-014	
<b>Infiniti</b>					
FX50	2009-2011	5.0L V8 5026cc	VK50VE		WPN-705
G20	1991-1992	2.0L L4 1998cc	SR20DE		WPN-014
	1999-2002	2.0L L4 2000cc	SR20DE		WPN-014
I30	1996-2001	3.0L V6 2988cc	VQ30DE		WPN-070
J30	1993-1997	3.0L V6 2960cc	VG30DE		WPN-055
M30	1990-1992	3.0L V6 2960cc	VG30E		WPN-019
Q45	1990-1991	4.5L V8 4494cc	VH45DE		WPN-017
	1994-1996	4.5L V8 4494cc	VH45DE		WPN-083
	1997-2001	4.1L V8 4130cc	VH41DE		WPN-089
QX4	1997-2000	3.3L V6 3275cc	VG33E		WPN-085
	2001-2003	3.5L V6 3498cc	VQ35DE		WPN-070
QX56	2011	5.6L V8 5552cc	VK56DE		WPN-705
	2004-2011	5.6L V8 5552cc	VK56DE		WPN-705
<b>Isuzu</b>					
Amigo	1998-2000	3.2L V6 3165cc	6VD1		WPG-030
Axiom	2002-2004	3.5L V6 3475cc	6VE1		WPG-030
I-Mark	1985-1989	1.5L L4 1471cc	VIN K		WPG-020
			FI; Turbocharged		WPG-020
			CARB		WPG-020
	1984	1.8L L4 1817cc	DIESEL; FI		WPG-014
NQR	1998-2004	4.8L L4 2	4HE1; DIESEL; NQR; Turbocharged		WPG-028
	2005-2008	5.2L L4 317 CID	4HK1; DIESEL; NQR; Turbocharged		WPG-027
NPR	1998-2004	4.8L L4 2	4HE1; DIESEL; NPR; Turbocharged		WPG-028
	2005-2008	5.2L L4 317 CID	4HK1; DIESEL; NPR; Turbocharged		WPG-027



Make/Model	Year	Engine	Attributes	Notes	Part #
<b>Isuzu</b>					
NPR-HD	1999-2004	4.8L L4 2	4HE1; DIESEL; NPR-HD; Turbocharged		WPG-028
	2005-2008	5.2L L4 317 CID	4HK1; DIESEL; NPR-HD; Turbocharged		WPG-027
NRR	2005-2008	5.2L L4 317 CID	4HK1; DIESEL; NRR; Turbocharged		WPG-027
Pickup	1981-1987	2.2L L4 2238cc	DIESEL; FI		WPG-004
	1986-1987	2.2L L4 2238cc	DIESEL; FI; Turbocharged		WPG-004
Rodeo	1998-2004	3.2L V6 3165cc	6VD1		WPG-030
		3.5L V6 3494cc	6VE1		WPG-030
Trooper	1986-1987	2.2L L4 2238cc	DIESEL; FI; Turbocharged		WPG-004
	1998-2002	3.5L V6 3475cc	6VE1		WPG-030
VehiCROSS	1999-2001	3.5L V6 3475cc	6VE1		WPG-030
<b>Kia</b>					
Sephia	1994-1995	1.6L L4 1597cc			WPZ-001
Sportage	1995	2.0L L4 1998cc	VIN 1		WPZ-002
<b>Lexus</b>					
CT200h	2011-2012	1.8L L4 1798cc	2ZRFXE	Electric water pump	WPT-190
ES250	1990-1991	2.5L V6 2508cc	2VZFE		WPT-002
ES300	1992-1993	3.0L V6 2959cc	3VZFE		WPT-002
	1994-2003	3.0L V6 2995cc	1MZFE		WPT-057
ES300h	2013	2.5L L4 2494cc	2ARFXE	Electric water pump	WPT-191
ES330	2004-2006	3.3L V6 3300cc	3MZFE		WPT-057
ES350	2007-2012	3.5L V6 3456cc	2GRFE		WPT-803
GS300	1993-1997	3.0L L6 2997cc	2JZGE	Water Pump With Housing	WPT-110
	1998-2005	3.0L L6 2997cc	2JZGE	Water Pump With Housing	WPT-116
	2006	3.0L V6 2994cc	3GRFSE		WPT-137
GS350	2007-2011	3.5L V6 3456cc	2GRFSE		WPT-137
GS400	1998-2000	4.0L V8 3969cc	1UZFE		WPT-800
GS430	2001-2007	4.3L V8 4293cc	3UZFE		WPT-800
GS450h	2007-2011	3.5L V6 3456cc	2GRFSE; ELECTRIC		WPT-137
GS460	2008-2011	4.6L V8 4608cc	1URFSE		WPT-187
GX470	2003-2009	4.7L V8 4663cc	2UZFE		WPT-800
HS250h	2010-2012	2.4L L4 2362cc	2AZFXE; ELECTRIC		WPT-801
IS F	2008-2012	5.0L V8 4969cc	2URGSE		WPT-187
IS250	2006-2011	2.5L V6 2499cc	4GRFSE		WPT-137
IS300	2001-2005	3.0L L6 2997cc	2JZGE	Water Pump With Housing	WPT-116
IS350	2006-2011	3.5L V6 3456cc	2GRFSE		WPT-137
LS400	1990-2000	4.0L V8 3967cc	1UZFE		WPT-800
LS430	2001-2006	4.3L V8 4293cc	3UZFE		WPT-800
LS460	2007-2012	4.6L V8 4608cc	1URFSE		WPT-187
LS600h	2008-2012	5.0L V8 4968cc	2URFSE; ELECTRIC		WPT-187
LX450	1996-1997	4.5L L6 4477cc	1FZFE		WPT-023
LX470	1998-2007	4.7L V8 4663cc	2UZFE		WPT-800
LX570	2008-2011	5.7L V8 5663cc	3URFE		WPT-804
RX300	1999-2003	3.0L V6 2995cc	1MZFE		WPT-057
RX330	2004-2006	3.3L V6 3300cc	3MZFE		WPT-057
RX350	2007-2012	3.5L V6 3456cc	2GRFE		WPT-803
RX400h	2006-2008	3.3L V6 3300cc	3MZFE		WPT-057
RX450h	2010-2012	3.5L V6 3456cc	2GRFXE; ELECTRIC		WPT-803
SC300	1992-1999	3.0L L6 2997cc	2JZGE	Water Pump With Housing	WPT-110
	2000	3.0L L6 2997cc	2JZGE		WPT-038
SC400	1992-2000	4.0L V8 3967cc	1UZFE		WPT-800
SC430	2002-2010	4.3L V8 4293cc	3UZFE		WPT-800



Make/Model	Year	Engine	Attributes	Notes	Part #
<b>Mazda</b>					
3	2007-2008	2.0L L4 2000cc	LFD		WPZ-043
	2009-2011	2.0L L4 2000cc			WPZ-043
	2007-2008	2.3L L4 2260cc	MZR		WPZ-043
5	2008-2010	2.3L L4 2260cc	L3V		WPZ-043
	1987-1994	1.6L L4 1597cc	Naturally Aspirated		WPZ-001
323	1989	1.6L L4 1597cc	B6T; Turbocharged		WPZ-003
	626	1983-1985	2.0L L4 1970cc		
1986-1987		2.0L L4 1998cc	Turbocharged		WPZ-012
			Naturally Aspirated		WPZ-012
1988-1992		2.2L L4 2184cc	Turbocharged		WPZ-002
1993-2002		2.0L L4 1991cc			WPZ-021
			2.5L V6 2497cc		WPZ-024
929	1988-1991	3.0L V6 2954cc			WPZ-023
B2000	1986-1987	2.0L L4 1998cc			WPZ-012
B2200	1987-1993	2.2L L4 2184cc			WPZ-002
GLC	1981-1985	1.5L L4 1490cc			WPZ-006
Miata	1990-1993	1.6L L4 1597cc	DOHC		WPZ-003
Millenia	1995-2002	2.3L V6 2254cc	Supercharged		WPZ-022
			Naturally Aspirated		WPZ-024
MPV	1989-1995	3.0L V6 2954cc			WPZ-023
MX-3	1992-1993	1.6L L4 1597cc			WPZ-001
	1992-1994	1.8L V6 1845cc			WPZ-024
MX-5 Miata	2007-2011	2.0L L4 2000cc			WPZ-043
MX-6	1993-1997	2.0L L4 1991cc			WPZ-021
	1988-1992	2.2L L4 2184cc	Turbocharged		WPZ-002
			Naturally Aspirated		WPZ-002
1993-1997	2.5L V6 2497cc			WPZ-024	
Protege	1990-1994	1.8L L4 1839cc	SOHC		WPZ-001
			DOHC		WPZ-003
	2001-2003	2.0L L4 2000cc	Naturally Aspirated		WPZ-021
Protege5	2002-2003	2.0L L4 2000cc	Turbocharged		WPZ-021
					WPZ-021
<b>Mercury</b>					
Villager	1993-1998	3.0L V6 1			WPN-011
<b>Mitsubishi</b>					
3000GT	1991-1999	3.0L V6 2972cc	6G72-T; Turbocharged	Water Pump With Housing	WPM-030
	1997-1999	3.0L V6 2972cc	6G72	Water Pump With Housing	WPM-014
Cordia	1983	1.8L L4 1795cc			WPM-010
	1984-1988	1.8L L4 1795cc	FI; Turbocharged		WPM-010
		2.0L L4 1997cc	CARB		WPM-010
Diamante	1992-1996	3.0L V6 2972cc	6G72; SOHC	Water Pump With Housing	WPM-014
			6G72; DOHC; FWD	Water Pump With Housing	WPM-030
	1997-2004	3.5L V6 3497cc	6G74	Water Pump With Housing	WPM-059
Eclipse	1990-1994	1.8L L4 1755cc			WPM-009
		2.0L L4 1997cc	Turbocharged		WPM-012
	1995-1999	2.0L L4 1997cc	4G63; Turbocharged		WPM-048
		2.4L L4 2351cc	4G64		WPM-048
	2000-2005	2.4L L4 2351cc	4G64		WPM-057
3.0L V6 2972cc			Water Pump With Housing	WPM-059	
Expo	1993-1995	2.4L L4 2351cc	4G64		WPM-048
Expo LRV	1992	1.8L L4 1834cc			WPM-003
	1993-1994	1.8L L4 1834cc	4G93		WPM-045





Make/Model	Year	Engine	Attributes	Notes	Part #
<b>Mitsubishi</b>					
Expo LRV	1993-1994	2.4L L4 2351cc			WPM-048
Galant	1989-1992	2.0L L4 1997cc	Turbocharged		WPM-012
			4G63; VIN V; R; U		WPM-056
	1993	2.0L L4 1997cc	4G63		WPM-048
	1985-1987	2.4L L4 2351cc	G64B		WPM-010
	1993-1998	2.4L L4 2351cc	4G64		WPM-048
	1999-2003	2.4L L4 2351cc	4G64		WPM-057
	1988	3.0L V6 2972cc		Water Pump With Housing	WPM-014
	1999-2003	3.0L V6 2972cc		Water Pump With Housing	WPM-059
Lancer	2002-2007	2.0L L4 2000cc			WPM-033
Mighty Max	1983-1987	2.0L L4 1997cc	CARB		WPM-004
	1983-1985	2.3L L4 2346cc	DIESEL; FI; Turbocharged		WPM-002
	1990-1992	2.4L L4 2351cc	VIN W		WPM-004
	1993-1994	2.4L L4 2351cc	VIN G		WPM-058
	1995-1996	2.4L L4 2351cc	4G64		WPM-058
	1990-1994	3.0L V6 2972cc		Water Pump With Housing	WPM-013
Mirage	1985-1986	1.5L L4 1468cc	CARB		WPM-001
	1991-1996	1.5L L4 1468cc	4G15		WPM-001
	1997-2002	1.5L L4 1468cc	4G15		WPM-055
	1985-1988	1.6L L4 1597cc	FI; Turbocharged		WPM-009
	1993	1.8L L4 1834cc	4G93	To 3/93	WPM-003
			4G93	From 4/93 to 9/93	WPM-045
	1994-1996	1.8L L4 1834cc	4G93		WPM-045
	1997-2002	1.8L L4 1834cc	4G93		WPM-033
Montero	1989-1994	3.0L V6 2972cc		Water Pump With Housing	WPM-013
	1995-1996	3.0L V6 2972cc		Water Pump With Housing	WPM-035
	1994-1995	3.5L V6 3497cc		Water Pump With Housing	WPM-031
	1997-2000	3.5L V6 3497cc	6G74	Water Pump With Housing	WPM-035
	2001-2002	3.5L V6 3497cc	6G74	Water Pump With Housing	WPM-069
Montero Sport	1997-1999	2.4L L4 2351cc	4G64		WPM-038
	1997-2003	3.0L V6 2972cc	6G72	Water Pump With Housing	WPM-035
	1999-2004	3.5L V6 3497cc	6G74	Water Pump With Housing	WPM-035
Precis	1987-1994	1.5L L4 1468cc	LS		WPM-001
			RS		WPM-001
Sigma	1989-1990	3.0L V6 2972cc		Water Pump With Housing	WPM-014
Starion	1985-1987	2.6L L4 2555cc	VIN N		WPM-022
	1987	2.6L L4 2555cc	VIN H		WPM-021
	1988-1989	2.6L L4 2555cc			WPM-019
Tredia	1983-1988	1.8L L4 1795cc	G62B		WPM-010
			G62B; FI; Turbocharged		WPM-010
	1984-1985	2.0L L4 1997cc	G63B; CARB		WPM-010
Van	1987-1990	2.4L L4 2351cc			WPM-004
<b>Nissan</b>					
210	1979	1.2L L4 1237cc	A12	w/ 1.970" Bolt Pattern	WPN-021
	1979-1982	1.5L L4 1488cc	A15	w/ 2.362" Bolt Pattern	WPN-029
310	1979-1980	1.4L L4 1393cc	A14		WPN-021
	1981	1.5L L4 1488cc	A15		WPN-021
	1982	1.5L L4 1488cc	E15		WPN-003
411	1963-1965	1.6L L4 1595cc	R16		WPN-036
	1967	1.6L L4 1595cc	R16		WPN-036
510	1968-1969	1.6L L4 1595cc	L16	w/o Fan Clutch	WPN-032
				Remove Fan Adapter; w/fan clutch	WPN-042
	1978-1979	2.0L L4 1952cc	L20B	w/o Fan Clutch	WPN-032
			Remove Fan Adapter; w/fan clutch	WPN-042	



Water Pump

Make/Model	Year	Engine	Attributes	Notes	Part #
<b>Nissan</b>					
510	1980-1981	2.0L L4 1952cc	Z20S	w/Air Conditioning	WPN-027
				w/o Air Conditioning	WPN-042
610	1973	1.8L L4 1770cc	L18	w/o Air Conditioning	WPN-032
	1974-1976	2.0L L4 1952cc	L20B	w/o Air Conditioning	WPN-032
620	1972-1974	2.0L L4 1952cc	L20B	w/o Air Conditioning	WPN-032
	1975-1979	2.0L L4 1952cc	L20B	w/ Air Conditioning	WPN-027
710	1975-1977	2.0L L4 1952cc	L20B	w/ Air Conditioning	WPN-027
				w/o Air Conditioning	WPN-042
720	1980	2.0L L4 1952cc	L20B		WPN-027
				w/o Air Conditioning	WPN-042
	1983-1984	2.0L L4 1952cc	Z20	Remove Adapter; w/ Fan Clutch and Adapter	WPN-042
	1984-1986	2.0L L4 1952cc	Z20; CARB;		WPN-027
	1981	2.2L L4 2187cc	Z22; CARB		WPN-027
	1981-1982	2.2L L4 2187cc	Z22; 4WD; Deluxe	Remove Adapter; w/fan clutch	WPN-042
	1982-1983	2.2L L4 2187cc	Z22; CARB		WPN-032
	1983	2.2L L4 2187cc	Z22; Deluxe; w/ Automatic Trans.	w/fan clutch	WPN-042
	1983-1984	2.4L L4 2389cc	Z24	Remove Adapter; w/ Fan Clutch and Adapter	WPN-042
	1984-1986	2.4L L4 2389cc	Z24; CARB		WPN-027
	1986	2.4L L4 2389cc	Z24i; FI		WPN-027
Z24i			Remove Adapter; w/ Fan Clutch and Adapter	WPN-042	
810	1977-1981	2.4L L6 2393cc	L24E		WPN-013
	1981	2.8L L6 2793cc	LD28; DIESEL		WPN-079
1200	1971-1973	1.2L L4 1171cc	A12		WPN-021
200SX	1995-1998	1.6L L4 1597cc	GA16DE		WPN-001
	1984-1988	1.8L L4 1809cc	CA18ET; Turbocharged		WPN-024
	1977-1978	2.0L L4 1952cc	L20B	w/ Large Fan Clutch	WPN-027
				w/o Fan Clutch	WPN-032
				w/ Small Fan Clutch	WPN-042
	1980-1981	2.0L L4 1952cc	Z20E	w/ Large Fan Clutch	WPN-027
				w/o Fan Clutch	WPN-032
				w/ Small Fan Clutch	WPN-042
	1984-1988	2.0L L4 1974cc	CA20E		WPN-024
	1995-1998	2.0L L4 1998cc	SR20DE		WPN-014
1982-1983	2.2L L4 2187cc	Z22E	w/ Large Fan Clutch	WPN-027	
			w/ Small Fan Clutch	WPN-042	
1987-1988	3.0L V6 2960cc	VG30E		WPN-019	
240SX	1989-1990	2.4L L4 2389cc	KA24E		WPN-059
	1991-1998	2.4L L4 2389cc	KA24DE		WPN-059
240Z	1970-1973	2.4L L6 2393cc	L24		WPN-013
260Z	1974-1975	2.6L L6 2565cc	L26		WPN-013
280Z	1975-1978	2.8L L6 2753cc	L28E		WPN-013
280ZX	1979-1980	2.8L L6 2753cc	L28E		WPN-013
	1981-1983	2.8L L6 2753cc	L28E		WPN-013
L28ET; Turbocharged				WPN-013	
300ZX	1984-1985	3.0L V6 2960cc	VG30		WPN-019
			VG30T; Turbocharged		WPN-019
	1989	3.0L V6 2960cc	VG30T; Turbocharged		WPN-019
	1990-1996	3.0L V6 2960cc	VG30DE		WPN-016
VG30DETT; Turbocharged				WPN-016	
520 Pickup	1965-1966	1.3L L4 1299cc	J13		WPN-036
	1968	1.3L L4 1299cc	J13	Remove Fan Adapter; w/fan clutch	WPN-042
521 Pickup	1969	1.3L L4 1299cc	J13		WPN-036
				Remove Fan Adapter; w/fan clutch	WPN-042
	1969-1972	1.6L L4 1595cc	L16		WPN-036
				Remove Fan Adapter; w/fan clutch	WPN-042



Make/Model	Year	Engine	Attributes	Notes	Part #
<b>Nissan</b>					
620 Pickup	1972-1974	1.6L L4 1595cc	L16		WPN-032
				Remove Fan Adapter; w/fan clutch	WPN-042
	1974	1.8L L4 1770cc	L18	Remove Fan Adapter; w/fan clutch	WPN-042
					WPN-032
Altima	1993-2001	2.4L L4 2389cc	KA24DE		WPN-060
	2002-2012	2.5L L4 2500cc	QR25DE	Water Pump With Housing	WPN-703
	2003-2006	3.5L V6 3498cc	VQ35DE		WPN-702
Armada	2005-2012	5.6L V8 5552cc	VK56DE		WPN-705
Axxess	1990-1995	2.4L L4 2389cc	KA24E		WPN-067
B210	1974	1.3L L4 1288cc	A13		WPN-021
	1975-1978	1.4L L4 1393cc	A14	w/ 1.970" Bolt Pattern	WPN-021
				w/ 2.362" Bolt Pattern	WPN-029
D21	1986-1989	2.4L L4 2389cc	Z24		WPN-027
			Z24	Remove Adapter; w/ Fan Clutch and Adapter	WPN-042
	1990-1994	2.4L L4 2389cc	KA24E		WPN-059
	1986	3.0L V6 2960cc	VG30	VIN:H	WPN-019
	1987-1994	3.0L V6 2960cc	VG30		WPN-004
			VG30E		WPN-004
			VG30E; 4WD		WPN-004
F10	1976-1978	1.4L L4 1393cc	A14		WPN-021
Frontier	1998-2004	2.4L L4 2389cc	KA24DE; 4WD		WPN-700
			KA24DE; RWD		WPN-700
	1999-2004	3.3L V6 3275cc	VG33E		WPN-706
	2005-2011	4.0L V6 3954cc	VQ40DE		WPN-702
Maxima	1982-1984	2.4L L6 2393cc	L24E		WPN-013
	1982-1983	2.8L L6 2793cc	LD28; DIESEL		WPN-079
	1985-1986	3.0L V6 2960cc	VG30E		WPN-011
	1992-1994	3.0L V6 2960cc	VE30DE		WPN-081
			VG30E		WPN-011
	1995-2001	3.0L V6 2988cc	VQ30DE		WPN-070
	2004-2008	3.5L V6 3498cc	VQ35DE		WPN-702
Multi	1986	2.0L L4 1974cc	CA20E		WPN-033
	1987-1988	2.0L L4 1974cc	CA20E		WPN-020
NV2500	2012	5.6L V8 5552cc	VK56DE		WPN-705
NV3500	2012	5.6L V8 5552cc	VK56DE		WPN-705
NX	1991-1993	1.6L L4 1597cc	GA16DE		WPN-001
		2.0L L4 1998cc	SR20DE;		WPN-014
Pathfinder	1987-1988	2.4L L4 2389cc	Z24I		WPN-027
				Remove Fan Adapter; w/fan clutch	WPN-042
	1987-1995	3.0L V6 2960cc	VG30E		WPN-004
			VG30I		WPN-004
	1996-2000	3.3L V6 3275cc	VG33E		WPN-085
	2001-2004	3.5L V6 3498cc	VQ35DE		WPN-070
	2005-2011	4.0L V6 3954cc	VQ40DE		WPN-702
	2004-2012	5.6L V8 5552cc	VK56DE		WPN-705
Pickup	1995-1997	2.4L L4 2389cc	KA24E		WPN-059
	1995-1996	3.0L V6 2960cc	VG30E; 4WD		WPN-004
Pulsar NX	1983	1.5L L4 1488cc	E15T; FI; Turbocharged		WPN-031
		1.6L L4 1597cc	E16; CARB		WPN-031
	1984-1988	1.6L L4 1597cc	E16; CARB		WPN-003
			E16I; FI		WPN-003
	1987	1.6L L4 1597cc	CA16DE		WPN-020
	1989-1990	1.6L L4 1597cc	GA16I		WPN-058
1988-1989	1.8L L4 1809cc	CA18DE		WPN-020	
Quest	1993-1998	3.0L V6 2960cc	VG30E		WPN-011



Make/Model	Year	Engine	Attributes	Notes	Part #
<b>Nissan</b>					
Quest	1999-2002	3.3L V6 3275cc	VG33E		WPN-800
	2004-2009	3.5L V6 3498cc	VQ35DE		WPN-702
Sentra	1982-1983	1.5L L4 1488cc	E15S		WPN-031
			E15S; CARB; VIN M		WPN-031
	1984-1988	1.6L L4 1597cc	E16; CARB		WPN-003
			E16i; FI		WPN-031
	1989-1990	1.6L L4 1597cc	GA16I		WPN-058
	1991-1999	1.6L L4 1597cc	GA16DE		WPN-001
	1983-1987	1.7L L4 1688cc	CD17; DIESEL		WPN-037
	2000-2006	1.8L L4 1809cc	QG18DE		WPN-704
	1991-1994	2.0L L4 1998cc	SR20DE		WPN-014
	1998-2001	2.0L L4 1998cc	SR20DE		WPN-014
	2007-2012	2.0L L4 1997cc	MR20DE		WPN-707
2002-2012	2.5L L4 2500cc	QR25DE; SE-R; Spec V	Water Pump With Housing	WPN-703	
Stanza	1982-1983	2.0L L4 1974cc	CA20S		WPN-033
	1984-1987	2.0L L4 1974cc	CA20E		WPN-033
	1988-1989	2.0L L4 1974cc	CA20E		WPN-020
	1990-1992	2.4L L4 2389cc	KA24E		WPN-067
Titan	2004-2012	5.6L V8 5552cc	VK56DE		WPN-705
Van	1987-1988	2.4L L4 2389cc	Z24I		WPN-064
Versa	2007-2012	1.8L L4 1798cc	MR18DE		WPN-707
	2009-2011	1.6L L4 1598cc	HR16DE		WPN-108
Xterra	2000-2004	2.4L L4 2389cc	KA24DE		WPN-700
	2000-2004	3.3L V6 3275cc	VG33E		WPN-085
	2005-2011	4.0L V6 3954cc	VQ40DE		WPN-702
<b>Plymouth</b>					
Acclaim	1994	2.5L L4 2507cc		Water Pump With Housing	WPM-014
	1989-1995	3.0L V6 2972cc		Water Pump With Housing	WPM-014
Arrow	1976-1977	1.6L L4 1597cc	GS		WPM-006
Colt	1981-1983	1.4L L4 1410cc			WPM-001
	1984	1.4L L4 1410cc	CARB		WPM-001
	1985-1994	1.5L L4 1468cc			WPM-001
	1978-1980	1.6L L4 1597cc			WPM-006
	1981-1982	1.6L L4 1597cc			WPM-009
	1984-1985	1.6L L4 1597cc	FI; Turbocharged		WPM-009
			CARB		WPM-009
	1989-1990	1.6L L4 1597cc	FI; Turbocharged		WPM-009
	1992-1993	1.8L L4 1834cc			WPM-003
	1994	1.8L L4 1834cc	VIN C		WPM-045
1984-1991	2.0L L4 1995cc	CARB		WPM-010	
		FI; VIN V		WPM-010	
Conquest	1986	2.6L L4 2555cc			WPM-022
Grand Voyager	1988-1989	3.0L V6 2972cc	VIN 3	Water Pump With Housing	WPM-014
	1992-2000		EFA; VIN 3	Water Pump With Housing	WPM-014
Laser	1990-1994	1.8L L4 1755cc			WPM-009
	1990-1994	2.0L L4 1997cc	VIN R; E		WPM-012
Turbocharged				WPM-012	
Sapporo	1978-1979	1.6L L4 1597cc	VIN K		WPM-006
Voyager	1987-2000	3.0L V6 2972cc	FI	Water Pump With Housing	WPM-014
<b>Saturn</b>					
Vue	2004-2007	3.5L V6 3475cc			WPH-801



Make/Model	Year	Engine	Attributes	Notes	Part #
<b>Scion</b>					
xA	2004-2006	1.5L L4 1497cc	1NZFE		WPT-111
xB	2004-2006	1.5L L4 1497cc	1NZFE		WPT-111
xD	2008-2012	1.8L L4 1798cc	2ZRFE		WPT-140
	2011-2012	2.4L L4 2362cc	2AZFE		WPT-801
tC	2005-2010	2.4L L4 2398cc	2AZFE		WPT-801
	2011-2012	2.5L L4 2494cc	2ARFE		WPT-805
<b>Sterling</b>					
825	1987-1988	2.5L V6 2494cc			WPH-008
827	1989	2.7L V6 2675cc			WPH-008
<b>Subaru</b>					
Baja	2004-2006	2.5L H4 2458cc	EJ255; Turbocharged		WPF-023
Brat	1981-1987	1.8L H4 1781cc	CARB; Naturally Aspirated		WPF-005
	1984	1.8L H4 1781cc	FI; Turbocharged		WPF-013
DL	1980-1984	1.6L H4 1595cc	VIN 2		WPF-012
	1981-1984	1.8L H4 1781cc			WPF-005
	1985-1986	1.8L H4 1781cc	FI; Turbocharged		WPF-003
	1988-1989	1.8L H4 1781cc	FI; Turbocharged		WPF-003
	1987-1989	1.8L H4 1781cc	FI; CARB VIN; 4; 5		WPF-007
Forester	1999	2.5L H4 2458cc	EJ253; Naturally Aspirated	1 water outlet	WPF-002
	2000-2005	2.5L H4 2458cc	EJ251; Naturally Aspirated	1 water outlet	WPF-002
			EJ251; w/ Standard Trans.	1 water outlet	WPF-002
			EJ253; w/ Standard Trans.	1 water outlet	WPF-002
	2006-2010	2.5L H4 2458cc	EJ253; X Premium		WPF-025
2004-2007	2.5L H4 2458cc	EJ255; Turbocharged; XT		WPF-023	
2008-2012	2.5L H4 2458cc	EJ255; Turbocharged		WPF-024	
GL	1980	1.6L H4 1595cc			WPF-012
	1986-1987	1.6L H4 1595cc	CARB		WPF-012
	1980-1984	1.8L H4 1781cc	CARB		WPF-005
	1983	1.8L H4 1781cc	FI; Turbocharged; VIN 5		WPF-013
	1985-1989	1.8L H4 1781cc	FI; Turbocharged;		WPF-003
			FI; CARB		WPF-003
1986-1989	1.8L H4 1781cc	CARB; VIN 4		WPF-007	
GL-10	1986-1989	1.8L H4 1781cc	Turbocharged; VIN 4		WPF-003
	1985-1989	1.8L H4 1781cc	Turbocharged; VIN 7		WPF-007
GLF	1980	1.6L H4 1595cc	VIN 2		WPF-012
	1981-1982	1.8L H4 1781cc			WPF-005
Impreza	1993-1994	1.8L H4 1781cc	Naturally Aspirated	1 water outlet	WPF-002
	2002-2004	2.0L H4 1994cc	EJ205; Turbocharged		WPF-006
	2004-2005	2.0L H4 1994cc	EJ205; Turbocharged; WRX		WPF-023
	1995-1996	2.2L H4 2212cc	Naturally Aspirated	1 water outlet	WPF-002
	1998-2001	2.2L H4 2212cc	EJ22		WPF-002
	1998-2005	2.5L H4 2458cc	EJ25D; RS		WPF-002
			EJ253; SOHC		WPF-002
			EJ251; Naturally Aspirated; Manual Trans		WPF-002
	2004-2005	2.5L H4 2458cc	EJ257; Turbocharged; WRX STI		WPF-023
	2006-2009	2.5L H4 2458cc	EJ253; Outback Sport		WPF-025
	2007-2012	2.5L H4 2458cc	EJ255; Turbocharged; WRX TR		WPF-023
2010-2011	2.5L H4 2458cc	EJ253; 2.5i Premium; Naturally Aspirated		WPF-025	
2011-2012	2.5L H4 2458cc	EJ255; Turbocharged; WRX		WPF-024	
Legacy	1990-1998	2.2L H4 2212cc	Naturally Aspirated	1 water outlet	WPF-002
	1993-1994	2.2L H4 2212cc	Turbocharged		WPF-008
	1996-1998	2.5L H4 2458cc	Naturally Aspirated	1 water outlet	WPF-002
	2005-2007	2.5L H4 2458cc	EJ255; GT; Turbocharged		WPF-023





Make/Model	Year	Engine	Attributes	Notes	Part #	
<b>Subaru</b>						
Legacy	2006-2009	2.5L H4 2458cc	EJ253; Naturally Aspirated		WPF-025	
	2008-2009	2.5L H4 2458cc	EJ255; Turbocharged		WPF-023	
Loyale	1990	1.8L H4 1781cc	Turbocharged		WPF-003	
	1991-1994	1.8L H4 1781cc			WPF-003	
Outback	2005-2009	2.5L H4 2458cc	EJ255; Turbocharged		WPF-023	
	2006-2006	2.5L H4 2458cc	EJ253; Naturally Aspirated		WPF-025	
RX	1986-1988	1.8L H4 1781cc			WPF-003	
	1989	1.8L H4 1781cc			WPF-007	
Standard	1980-1987	1.6L H4 1595cc	VIN 2		WPF-012	
	1981-1982	1.8L H4 1781cc	VIN 5		WPF-005	
	1987	1.8L H4 1781cc	VIN 5		WPF-007	
XT	1985-1991	1.8L H4 1781cc	VIN 4		WPF-007	
			Turbocharged		WPF-007	
<b>Suzuki</b>						
Esteem	1995-1997	1.6L L4 1590cc	GLX		WPS-006	
			GL		WPS-006	
Samurai	1985-1995	1.3L L4 1325cc			WPS-004	
Sidekick	1989	1.3L L4 1325cc			WPS-004	
		1.6L L4 1590cc	FI		WPS-006	
	1990-1998	1.6L L4 1590cc	G16K		WPS-006	
SJ410	1985	1.0L L4 970cc	F10A		WPS-002	
Swift	1989-2001	1.3L L4 1298cc			WPS-007	
X-90	1996-1998	1.6L L4 1590cc			WPS-006	
<b>Toyota</b>						
4Runner	1984	2.4L L4 2366cc	22REC		WPT-017	
	1985-1995	2.4L L4 2366cc	22REC		WPT-007	
	1985-1988	2.4L L4 2366cc	22RTEC; Turbocharged		WPT-007	
	1996-2000	2.7L L4 2694cc	3RZFE		WPT-044	
	2010	2.7L L4 2694cc	2TRFE		WPT-044	
	1988-1992	3.0L V6 2959cc	3VZE		WPT-030	
	1993-1995	3.0L V6 2959cc	3VZE		WPT-032	
	1996	3.4L V6 3378cc	5VZFE; w/ Automatic Trans.	With Column Shift	WPT-048	
	1996-2002	3.4L V6 3378cc	5VZFE		WPT-100	
	2003-2009	4.0L V6 3956cc	1GRFE		WPT-802	
Avalon	1995-2004	3.0L V6 2995cc	1MZFE		WPT-057	
		3.5L V6 3456cc	2GRFE		WPT-803	
Camry	1984-1985	1.8L L4 1839cc	1CTLG; DIESEL; Turbocharged; VIN C		WPT-004	
	1986	2.0L L4 1974cc	2CTLG; DIESEL; Turbocharged; VIN S		WPT-004	
	1983-1986	2.0L L4 1995cc	2SELC		WPT-097	
	1987-1989	2.0L L4 1998cc	3SFE			WPT-010
				Water Pump With Housing	WPTK-010	
	1988-1990	2.0L L4 1998cc	3SFE; DLX All Trac; VIN S			WPT-010
				Water Pump With Housing	WPTK-010	
	1992-2001	2.2L L4 2164cc	5SFE			WPT-010
				Water Pump With Housing	WPTK-010	
	2002-2003	2.4L L4 2362cc	2AZFE			WPT-801
	2007-2011	2.4L L4 2362cc	2AZFXE; ELECTRIC			WPT-801
	2008-2009	2.4L L4 2362cc	2AZFE			WPT-801
	2011-2013	2.4L L4 2362cc	2AZFXE	Electric Water Pump		WPT-191
1988-1993	2.5L V6 2508cc	2VZFE			WPT-002	
2010-2012	2.5L L4 2494cc	2ARFE			WPT-805	
1988-1993	3.0L V6 2959cc	3VZFE			WPT-002	



Make/Model	Year	Engine	Attributes	Notes	Part #	
<b>Toyota</b>						
Camry	1994-1995	3.0L V6 2959cc	1MZFE		WPT-057	
	1996-2006	3.0L V6 2995cc	1MZFE		WPT-057	
	2004-2006	3.3L V6 3300cc	3MZFE		WPT-057	
	2007-2012	3.5L V6 3456cc	2GRFE		WPT-803	
Carina	1972-1973	1.6L L4 1588cc	2TC		WPT-085	
Celica	1990-1993	1.6L L4 1587cc	4AFE; ST	Water Pump With Housing	WPT-046	
					WPT-003	
	1994-1995	1.8L L4 1762cc	7AFE		WPT-078	
	1996-1997	1.8L L4 1762cc	7AFE; ST	Water Pump With Housing	WPT-033	
	2000-2005	1.8L L4 1794cc	1ZZFE; GT		WPT-106	
	1986	2.0L L4 1995cc	2SELC		WPT-097	
	1986-1989	2.0L L4 1998cc	3SGELC		WPT-060	
	1987-1989	2.0L L4 1998cc	3SFE; GT; ST		WPT-010	
				Water Pump With Housing	WPTK-010	
	1988-1989	2.0L L4 1998cc	3SFE; GT; Naturally Aspirated		WPT-010	
				Water Pump With Housing	WPTK-010	
	1988-1993	2.0L L4 1998cc	3SGTE; Turbocharged		WPT-056	
			3SGTE; Turbocharged; VIN S		WPT-056	
	1978-1980	2.2L L4 2189cc	20R		WPT-017	
	1990-1995	2.2L L4 2164cc	5SFE		From 9/89; GT; GTS; To 7/91; w/54mm O.D Thermostat Housing.	
	1990-1995	2.2L L4 2164cc	5SFE; GT; GTS		WPT-010	
	1996-1999	2.2L L4 2164cc	5SFE; GT		WPT-010	
	1981-1982	2.4L L4 2366cc	22R; CARB		WPT-017	
	1983-1984	2.4L L4 2366cc	22REC		WPT-017	
	1985	2.4L L4 2366cc	22REC; GT		WPT-007	
	1979	2.6L L6 2563cc	4ME; FI		WPT-084	
	1980-1981	2.8L L6 2759cc	5ME; FI		WPT-065	
	1982-1985	2.8L L6 2754cc	5MGE; FI		WPT-075	
	Corolla	1977	1.2L L4 1166cc	3KC		WPT-079
		1978-1979	1.2L L4 1166cc	3KC		WPT-031
		1971-1972	1.6L L4 1588cc	2TC		WPT-085
1974-1975		1.6L L4 1588cc	2TC	Thru 12/75	WPT-085	
1975-1982		1.6L L4 1588cc	2TC	From 12/75	WPT-049	
1983		1.6L L4 1587cc		Water Pump With Housing	WPT-072	
1984-1988		1.6L L4 1587cc	4AC ; CARB		WPT-055	
			4ALC; CARB		WPT-008	
			4ALC; FWD	Water Pump With Housing	WPT-022	
			4ALC; FWD; FX	Water Pump With Housing	WPT-022	
			4ALC; CARB; DLX; LE		WPT-008	
			4ALC; CARB; FX		WPT-008	
1988-1989		1.6L L4 1587cc	4AF; CARB; DLX ;LE; SR5		WPT-003	
			4AF; CARB; FWD	Water Pump With Housing	WPT-046	
			4AGEC; FI		WPT-052	
			4AGELC; FI		WPT-055	
1988-1991		1.6L L4 1587cc	4AGE; FI		WPT-055	
1988-1992		1.6L L4 1587cc	4AFE; FI		WPT-090	
			4AFE; AWD; FI; SR5 All Trac	Water Pump With Housing	WPT-046	
			4AFE; SR5 All Trac		WPT-003	
			4AFE; DLX; FI; FWD	Water Pump With Housing	WPT-046	
			4AFE; AWD; DLX All Trac; FI	Water Pump With Housing	WPT-046	
			4AFE; FI; FWD	Water Pump With Housing	WPT-046	
	4AFE; FI; FWD		Water Pump With Housing	WPT-046		
	4AFE		Water Pump With Housing	WPT-018		
1993-1997			Water Pump Without Housing	WPT-018		
1975-1982	1.8L L4 1770cc	3TC		WPT-049		



Make/Model	Year	Engine	Attributes	Notes	Part #	
<b>Toyota</b>						
Corolla	1984-1985	1.8L L4 1839cc	1CLC; DIESEL; FI		WPT-004	
	1993	1.8L L4 1762cc	7AFE		WPT-078	
			All Trac	Water Pump With Housing	WPT-033	
	1993-1994	1.8L L4 1762cc	7AFE; DX; LE		Water Pump With Housing	WPT-033
	1996-1997	1.8L L4 1762cc	7AFE			WPT-078
				Water Pump With Housing	WPT-033	
	1998-1999	1.8L L4 1794cc	1ZZFE			WPT-106
	2005-2008	1.8L L4 1794cc	1ZZFE			WPT-106
	2009-2012	1.8L L4 1798cc	2ZRFE			WPT-140
2009-2010	2.4L L4 2362cc	2AZFE; XRS			WPT-801	
Corona	1978-1979	2.2L L4 2189cc	20R		WPT-017	
	1981	2.4L L4 2366cc	22R		WPT-017	
Cressida	1978-1979	2.6L L6 2563cc	4M		WPT-084	
	1980	2.6L L6 2563cc	4ME		WPT-065	
	1981-1982	2.8L L6 2759cc	5ME		WPT-065	
	1983-1988	2.8L L6 2754cc	5MGE		WPT-075	
	1989-1992	3.0L L6 2954cc	7MGE		WPT-025	
Crown	1967-1970	2.3L L6 2253cc	2M		WPT-084	
Echo	2000-2005	1.5L L4 1497cc	1NZFE		WPT-111	
FJ Cruiser	2007-2009	4.0L V6 3956cc	1GRFE		WPT-802	
Highlander	2001-2007	2.4L L4 2362cc	2AZFE		WPT-801	
	2009-2012	2.7L L4 2672cc	1ARFE		WPT-805	
	2001-2002	3.0L V6 2995cc	1MZFE			WPT-057
			3MZFE		WPT-057	
	2004-2010	3.3L V6 3300cc	3MZFE			WPT-057
			3MZFE; ELECTRIC/ Hybrid		WPT-057	
2008-2009	3.5L V6 3456cc	2GRFE			WPT-803	
2010-2012	3.5L V6 3456cc	2GRFXE			WPT-803	
Land Cruiser	1988-1990	4.0L L6 3956cc	3FE		WPT-029	
	1976-1979	4.2L L6 4227cc	2F	FJ55 w/ Oil Cooler	WPT-020	
	1979-1980	4.2L L6 4227cc	2F	FJ40 & FJ55 w/ HD Cooling; w/ Oil Cooler	WPT-063	
	1981-1987	4.2L L6 4227cc	2F; CARB		WPT-028	
	1993-1997	4.5L L6 4477cc	1FZFE		WPT-023	
	1998-2007	4.7L V8 4663cc	2UZFE		WPT-800	
	2008-2011	5.7L V8 5663cc	3URFE		WPT-804	
Mark II	1972	2.0L L4 1968cc	18RC		WPT-084	
		2.3L L6 2253cc	2M		WPT-084	
	1973-1976	2.6L L6 2563cc	4M		WPT-084	
Matrix	2003-2008	1.8L L4 1794cc	1ZZFE		WPT-106	
	2009	1.8L L4 1798cc	2ZRFE		WPT-140	
	2010-2011	1.8L L4 1798cc	2ZRFE		WPT-140	
	2009-2011	2.4L L4 2362cc	2AZFE		WPT-801	
MR2	1985-1989	1.6L L4 1587cc	4AGELC; Naturally Aspirated		WPT-055	
	1988-1989	1.6L L4 1587cc	4AGZE; Supercharged		WPT-055	
	1991-1995	2.0L L4 1998cc	3SGTE; Turbocharged		WPT-056	
		2.2L L4 2164cc	5SFE	w/54mm O.D Thermostat Housing.	WPT-806	
		5SFE; Naturally Aspirated		WPT-010		
MR2 Spyder	2000-2005	1.8L L4 1794cc	1ZZFE		WPT-106	
Paseo	1992-1996	1.5L L4 1497cc	5EFE	To 11/96	WPT-107	
	1997-1998	1.5L L4 1497cc	5EFE; FWD	From 11/96	WPT-006	
	1997-1999	1.5L L4 1497cc		From 11/96; Water Pump With Housing	WPT-011	
	1998	1.5L L4 1497cc	5EFE; Convertible; FWD	Water Pump With Housing	WPT-046	
	1999	1.5L L4 1497cc	5EFE; FWD		WPT-006	
Pickup	1981-1983	2.2L L4 2188cc	L; DIESEL; FI		WPT-067	
	1978-1979	2.2L L4 2189cc	20R		WPT-017	
	1984-1985	2.4L L4 2446cc	2L; DIESEL; DLX; FI		WPT-013	

Water Pump



Make/Model	Year	Engine	Attributes	Notes	Part #
<b>Toyota</b>					
Pickup	1984-1985	2.4L L4 2446cc	2LT; DIESEL; DLX Turbo; FI; Turbocharged		WPT-013
	1981-1984	2.4L L4 2366cc	22R; CARB		WPT-017
	1985-1986	2.4L L4 2366cc	22R; CARB		WPT-007
	1986-1987	2.4L L4 2366cc	DIESEL; FI; LN76		WPT-013
			DIESEL; FI; LN67		WPT-013
	1985-1993	2.4L L4 2366cc	22REC; FI		WPT-007
	1985-1988	2.4L L4 2366cc	22RTEC; FI; SR5 Turbo; Turbocharged		WPT-007
	1988	3.0L V6 2959cc	3VZE		WPT-098
	1989-1992	3.0L V6 2959cc	3VZE		WPT-030
1993-1995	3.0L V6 2959cc	3VZE	With by-pass tube	WPT-032	
			Without by-pass tube	WPT-099	
Previa	1991-1995	2.4L L4 2438cc	2TZFE; Naturally Aspirated	Water Pump With Housing	WPT-014
	1996-1997	2.4L L4 2438cc	2TZFZE; Supercharged	Water Pump With Housing	WPT-014
			2TZFZE	Water Pump With Housing	WPT-014
Prius	2001-2009	1.5L L4 1497cc	1NZFXE		WPT-111
Prius C	2012	1.5L L4 1497cc	1NZFXE	Electric Water Pump	WPT-190
Prius	2010-2012	1.8L L4 1798cc	2ZRFXE	Electric Water Pump	WPT-190
RAV4	1996-2000	2.0L L4 1998cc	3SFE		WPT-010
				Water Pump With Housing	WPTK-010
	2001-2002	2.0L L4 1998cc	1AZFE; FI; Naturally Aspirated		WPT-801
	2004-2008	2.4L L4 2362cc	2AZFE		WPT-801
	2009-2011	2.5L L4 2494cc	2ARFE		WPT-805
	2006-2012	3.5L V6 3456cc	2GRFE		WPT-803
	Sequoia	2001-2009	4.7L V8 4663cc	2UZFE	
2008-2009		5.7L V8 5663cc	3URFE		WPT-804
2009-2012		5.7L V8 5663cc	3URFBE		WPT-804
Sienna	2011-2012	2.7L L4 2672cc	1ARFE		WPT-805
	1998-1999	3.0L V6 2995cc	1MZFE		WPT-057
	2004-2006	3.3L V6 3300cc	3MZFE		WPT-057
	2007-2012	3.5L V6 3456cc	2GRFE		WPT-803
Solara	1999-2001	2.2L L4 2164cc	5SFE		WPT-010
				Water Pump With Housing	WPTK-010
	2002-2008	2.4L L4 2362cc	2AZFE		WPT-801
	1999-2000	3.0L V6 2995cc	1MZFE		WPT-057
Starlet	1981-1982	1.3L L4 1290cc	4KC		WPT-031
	1983-1984	1.3L L4 1290cc	4KE		WPT-021
Supra	1986-1992	3.0L L6 2954cc	7MGE		WPT-025
	1989-1992	3.0L L6 2954cc	7MGTE; Turbocharged		WPT-068
	1993-1994	3.0L L6 2997cc	2JZGE; Naturally Aspirated	Water Pump With Housing	WPT-110
			2JZGTE; Turbocharged	WPT-038	
	1996-1998	3.0L L6 2997cc	2JZGE; VIN D	Water Pump With Housing	WPT-110
2JZGTE; Turbocharged; Twin Turbo			WPT-038		
T100	1994-1998	2.7L L4 2694cc	3RZFE		WPT-044
	1993-1994	3.0L V6 2959cc	3VZE		WPT-032
			5VZFE; 4WD		WPT-100
	1995	3.4L V6 3378cc	5VZFE; RWD; w/ Standard Trans.		WPT-100
			5VZFE; RWD; w/ Automatic Trans.		WPT-048
	1995-1998	3.4L V6 3378cc	5VZFE; 4WD		WPT-100
1996-1998	3.4L V6 3378cc	5VZFE; RWD; w/ Standard Trans.		WPT-100	
Tacoma	1995-2000	2.7L L4 2694cc	3RZFE		WPT-044
	2005-2012	2.7L L4 2694cc	2TRFE		WPT-044
	1995-2000	3.4L V6 3378cc	5VZFE; RWD; w/ Automatic Trans.	With Column Shift	WPT-048
	1995-2004	3.4L V6 3378cc	5VZFE; RWD; w/ Standard Trans.		WPT-100
			5VZFE; RWD; w/ Automatic Trans.	With Floor Shift	WPT-100



Make/Model	Year	Engine	Attributes	Notes	Part #
<b>Toyota</b>					
Tacoma	1995-2004	3.4L V6 3378cc	5VZFE; 4WD		WPT-100
	2005-2012	4.0L V6 3956cc	1GRFE		WPT-802
Tercel	1980	1.5L L4 1452cc	1AC		WPT-066
	1981-1983	1.5L L4 1452cc	3AC		WPT-066
	1984-1988	1.5L L4 1452cc	3AC		WPT-090
	1987-1992	1.5L L4 1456cc	3E		WPT-107
	1995-1998	1.5L L4 1497cc	5EFE; DX		WPT-107
Tundra	2000-2004	3.4L V6 3378cc	5VZFE; 4WD		WPT-100
			5VZFE; RWD	With Floor Shift	WPT-100
			5VZFE; RWD; w/ Automatic Trans.	With Column Shift	WPT-048
	2005-2011	4.0L V6 3956cc	1GRFE		WPT-802
	2000-2009	4.7L V8 4663cc	2UZFE		WPT-800
	2007-2008	5.7L V8 5663cc	3URFE		WPT-804
Van	1984-1985	2.0L L4 1998cc	3YEC; Wagon		WPT-016
	1986-1989	2.2L L4 2237cc	4YEC; Wagon		WPT-016
Venza	2009-2012	2.7L L4 2672cc	1ARFE		WPT-805
		3.5L V6 3456cc	2GRFE		WPT-803
Yaris	2006-2012	1.5L L4 1497cc	1NZFE		WPT-111
<b>Volvo</b>					
850	1994	2.3L L5 2319cc	B5234FT; Turbocharged; VIN 5		WPV-802
960	1992-1993	2.9L L6 2922cc	B6304F		WPV-800
	1994	2.9L L6 2922cc	B6304F		WPV-802
	1995-1997	2.9L L6 2922cc	B6304S2; VIN 96		WPV-801
C30	2010-2011	2.5L L5 2521cc	B5254T7; Turbocharged		WPV-800
C70	1998	2.3L L5 2319cc	B5234T3		WPV-800
	2000-2004	2.3L L5 2319cc	B5234T3		WPV-800
	2000-2003	2.4L L5 2435cc	B5244T; VIN 56		WPV-800
	2006-2007	2.5L L5 2521cc	B5254T3		WPV-800
	2008-2011	2.5L L5 2521cc	B5254T7; Turbocharged		WPV-800
S40	2001-2002	1.9L L4 1948cc	B4204T3		WPV-800
	2000-2004	1.9L L4 1948cc	B4204T		WPV-800
			B4204T4; Turbocharged		WPV-800
	2004-2006	2.4L L5 2435cc	B5244S4; Naturally Aspirated		WPV-800
			B5254T3; Turbocharged; VIN 68		WPV-800
2008-2011	2.5L L5 2521cc	B5254T7; Turbocharged		WPV-800	
S60	2001-2003	2.3L L5 2319cc	B5234T3; Turbocharged; VIN 53		WPV-800
	2001-2002	2.4L L5 2435cc	B5244S; Naturally Aspirated		WPV-800
			B5244T3; Turbocharged		WPV-800
	2003-2005	2.4L L5 2435cc	B5244S6; Naturally Aspirated		WPV-800
	2003-2009	2.4L L5 2435cc	B5244T5; Turbocharged		WPV-800
			B5254T2; Turbocharged; VIN 59		WPV-800
S70	2000	2.3L L5 2319cc	B5234T3; Turbocharged; VIN 53		WPV-800
			B5254S; VIN 55		WPV-800
			B5254T; Turbocharged; VIN 56		WPV-800
	2000	2.4L L5 2435cc	B5244S; VIN 61		WPV-800
			B5244T; Turbocharged; VIN 56		WPV-800
S80	2004-2006	2.5L L5 2521cc	B5254T2; Turbocharged		WPV-800
	1999-2000	2.8L L6 2798cc	B6284T; Turbocharged		WPV-803
	1999	2.9L L6 2917cc	B6304S; VIN 97		WPV-803
	2000-2001	2.9L L6 2917cc	B6294S; Naturally Aspirated		WPV-803
	2002	2.9L L6 2917cc	B6294T; Turbocharged; VIN 91		WPV-803
	2003-2005	2.9L L6 2917cc	B6294T; Turbocharged; VIN 91		WPV-804

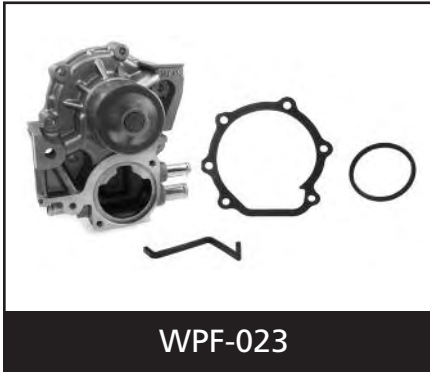
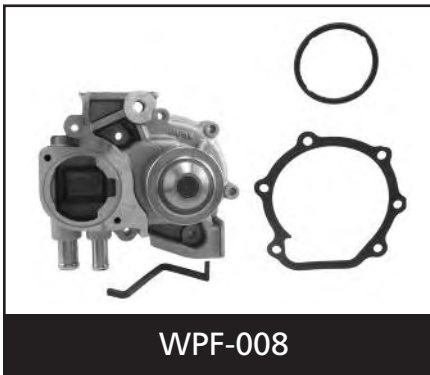
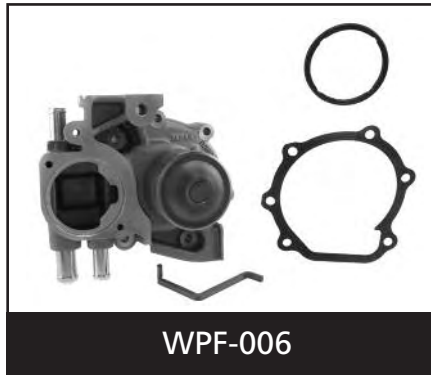
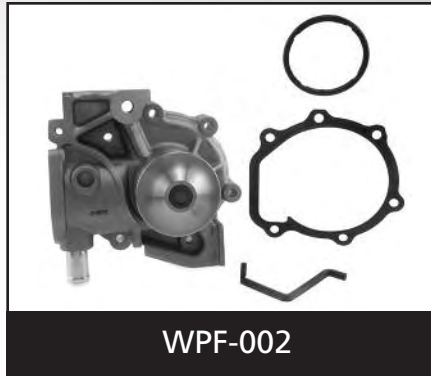






# Water Pump Images

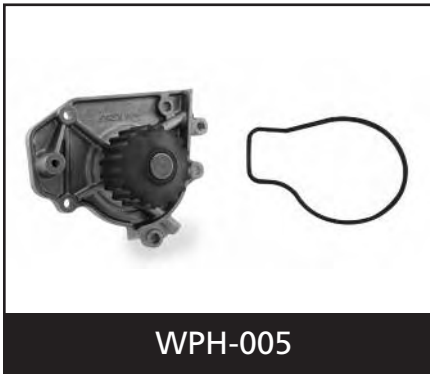
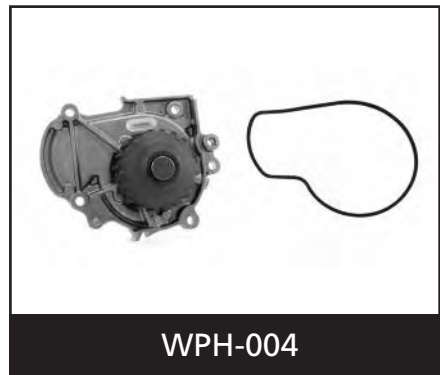
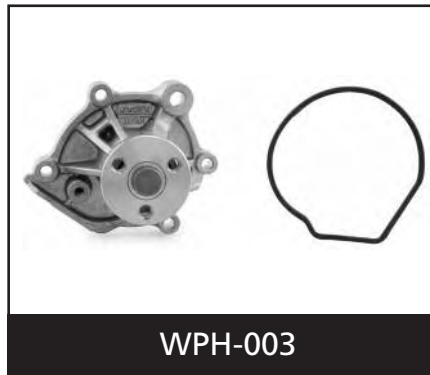
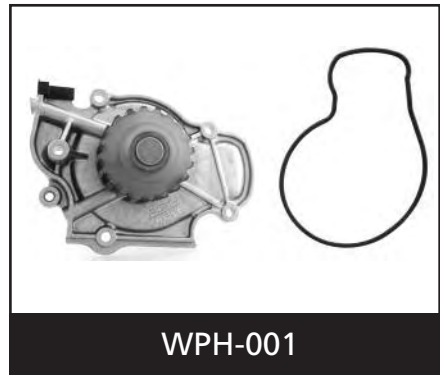
Water Pump





# Water Pump Images

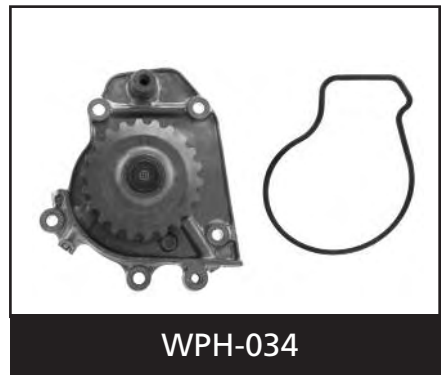
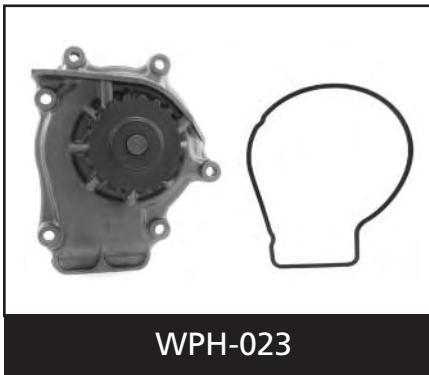
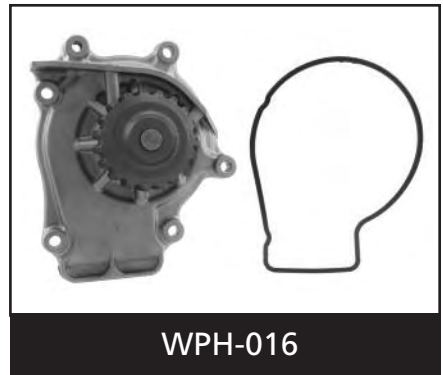
Water Pump





# Water Pump Images

Water Pump



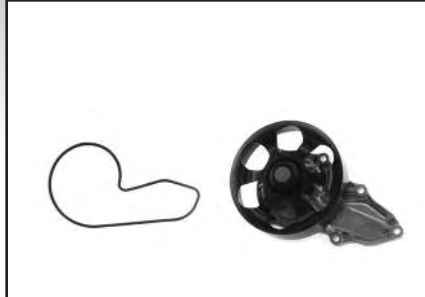


# Water Pump Images

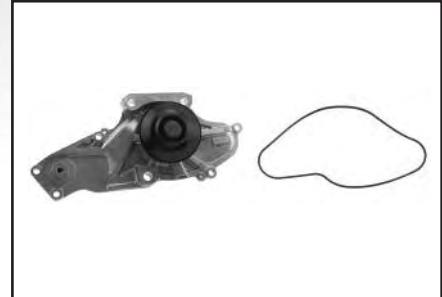
Water Pump



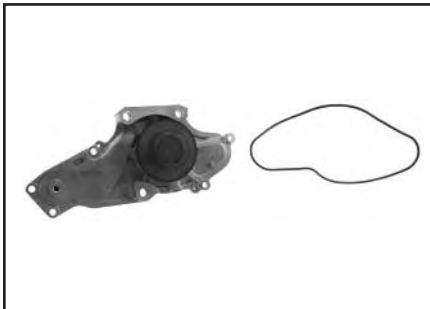
WPH-044



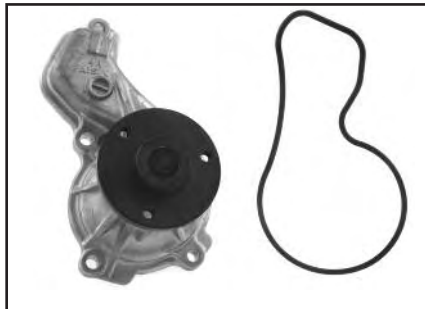
WPH-054



WPH-800



WPH-801



WPH-802



WPM-001



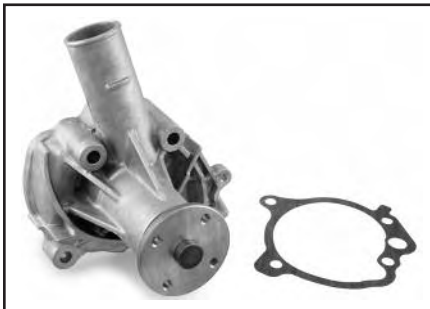
WPM-002



WPM-003



WPM-004



WPM-006



WPM-009



WPM-010





# Water Pump Images

Water Pump



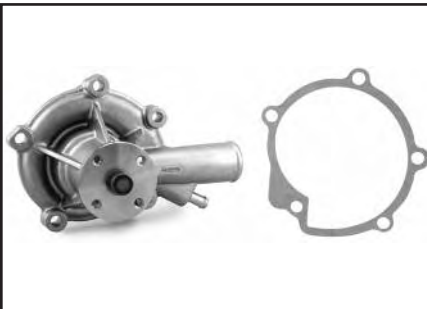
WPM-012



WPM-013



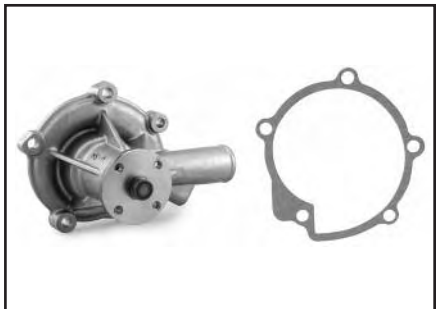
WPM-014



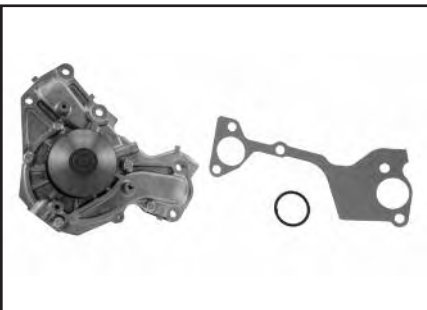
WPM-019



WPM-021



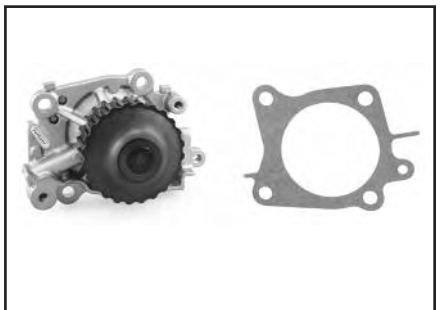
WPM-022



WPM-030



WPM-031



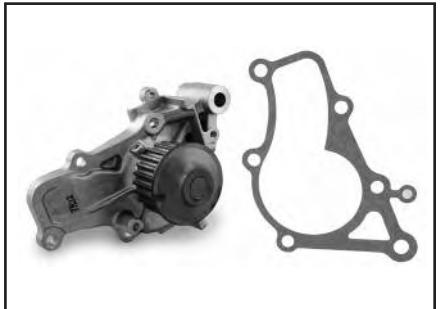
WPM-033



WPM-035



WPM-038

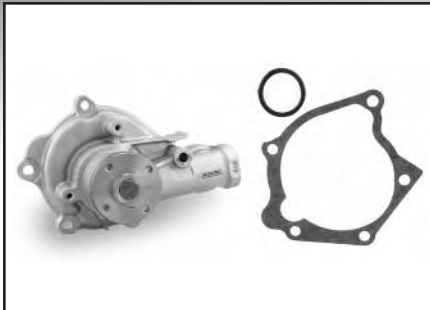


WPM-045



# Water Pump Images

Water Pump



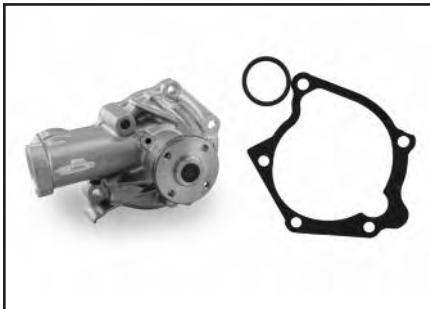
WPM-048



WPM-055



WPM-056



WPM-057



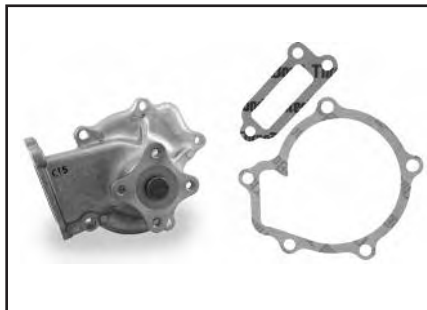
WPM-058



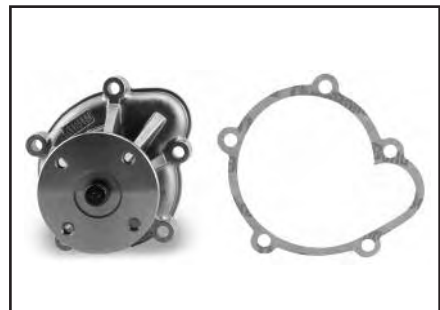
WPM-059



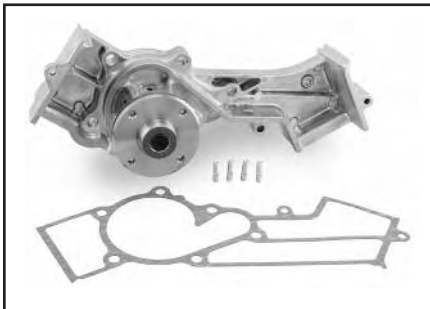
WPM-069



WPN-001



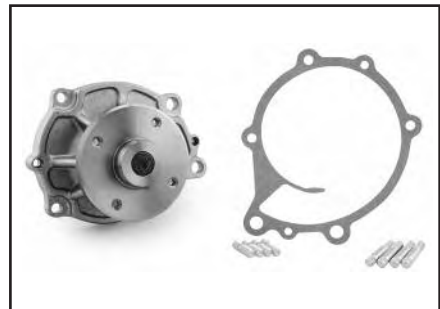
WPN-003



WPN-004



WPN-011



WPN-013



# Water Pump Images

Water Pump



WPN-014



WPN-016



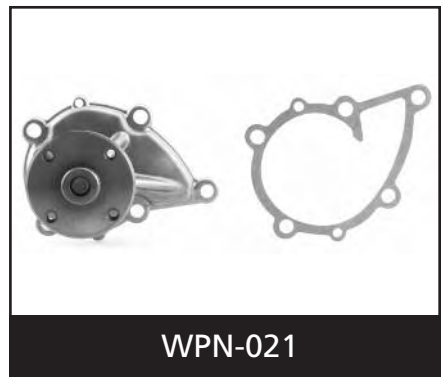
WPN-017



WPN-019



WPN-020



WPN-021



WPN-024



WPN-029



WPN-031



WPN-032



WPN-033



WPN-036



# Water Pump Images

Water Pump







# Water Pump Images

Water Pump

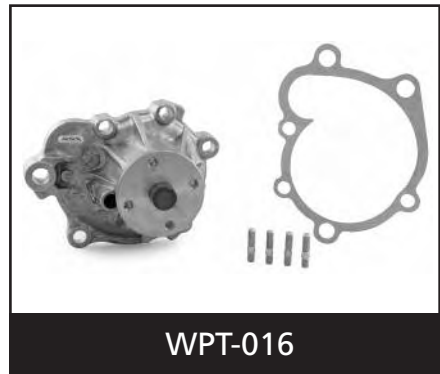
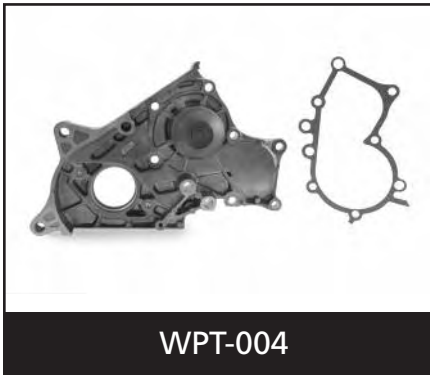






# Water Pump Images

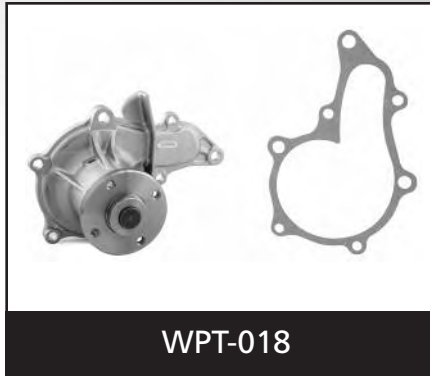
Water Pump





# Water Pump Images

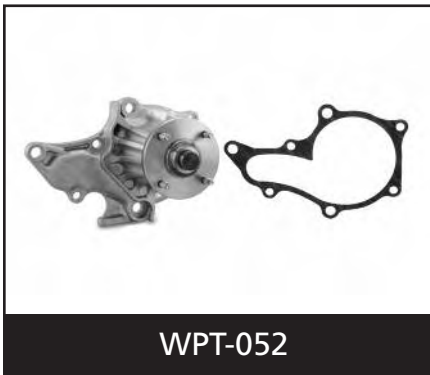
Water Pump





# Water Pump Images

Water Pump





# Water Pump Images

Water Pump



WPT-065



WPT-066



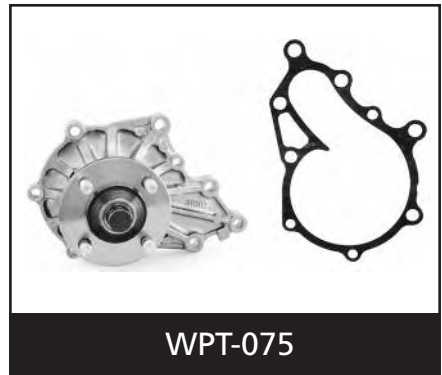
WPT-067



WPT-068



WPT-072



WPT-075



WPT-078



WPT-079



WPT-084



WPT-085



WPT-090



WPT-097





# Water Pump Images

Water Pump



WPT-098



WPT-099



WPT-100



WPT-106



WPT-107



WPT-108



WPT-110



WPT-011



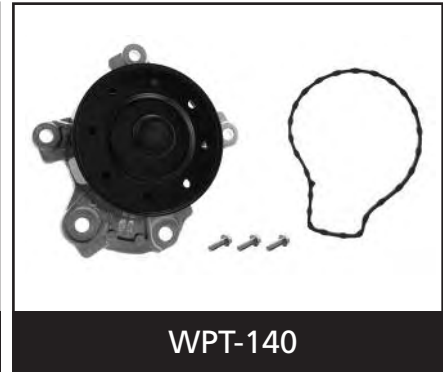
WPT-111



WPT-116



WPT-137



WPT-140





# Water Pump Images

Water Pump



WPT-187



WPT-190



WPT-191



WPT-401



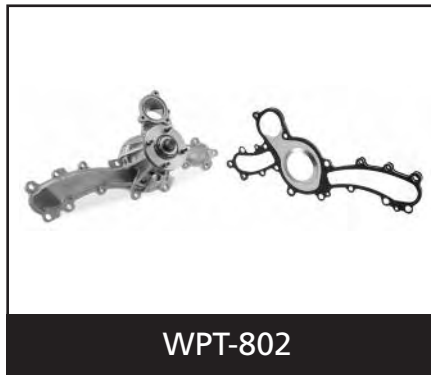
WPT-402



WPT-800



WPT-801



WPT-802



WPT-803



WPT-804



WPT-805



WPT-806

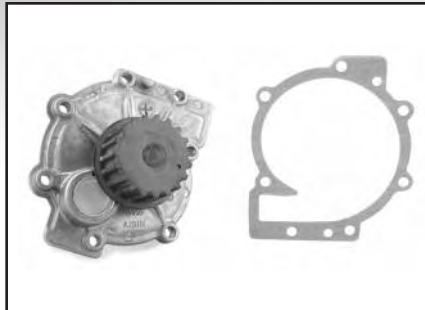


# Water Pump Images

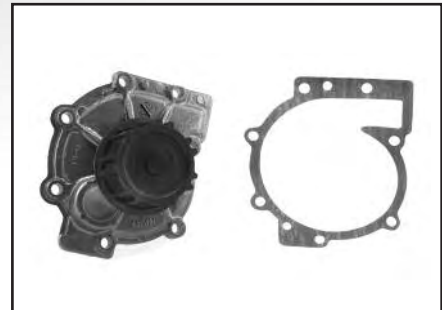
Water Pump



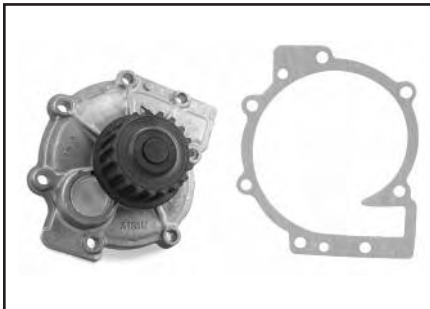
WPTK-010



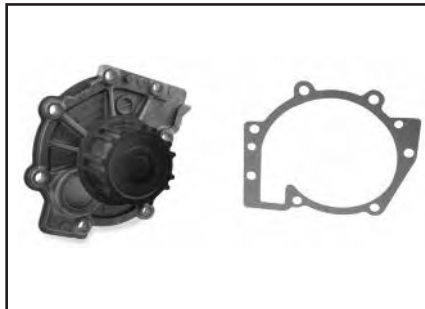
WPV-800



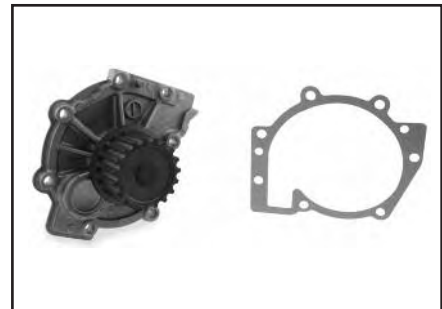
WPV-801



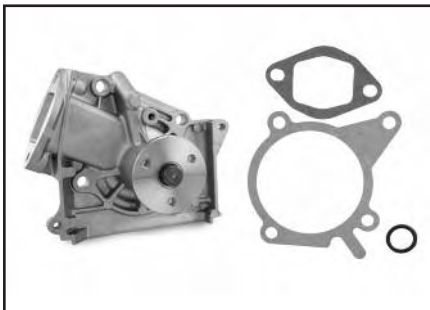
WPV-802



WPV-803



WPV-804



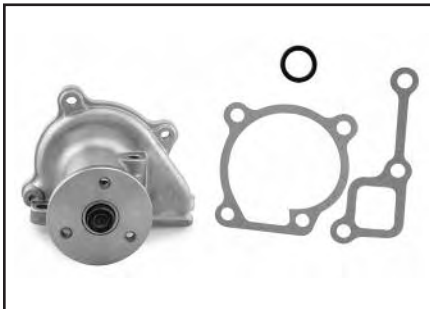
WPZ-001



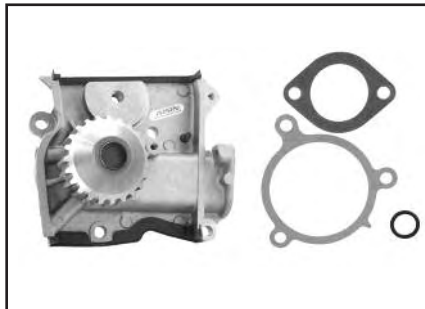
WPZ-002



WPZ-003



WPZ-006



WPZ-012



WPZ-021





# Buyer's Guide

## Water Pumps

Part #	Year	Application	Part #	Year	Application
WP-8950	1996-1999	Ford Taurus	WPG-027	2005-2007	Chevrolet W4500 Tiltmaster
WPD-013	1988-1992	Daihatsu Charade	WPG-027	2005-2007	Chevrolet W5500 Tiltmaster
WPF-002	1999-2005	Subaru Forester	WPG-027	2004-2007	Chevrolet W5500HD Tiltmaster
WPF-002	1993-2005	Subaru Impreza	WPG-027	2005-2007	GMC W3500 Forward
WPF-002	1990-1998	Subaru Legacy	WPG-027	2005-2007	GMC W4500 Forward
WPF-003	1985-1986	Subaru DL	WPG-027	2005-2007	GMC W5500 Forward
WPF-003	1988-1989	Subaru DL	WPG-027	2004-2007	GMC W5500HD Forward
WPF-003	1985-1989	Subaru GL	WPG-027	2005-2008	Isuzu N
WPF-003	1986-1989	Subaru GL-10	WPG-028	2001-2004	Chevrolet W3500 Tiltmaster
WPF-003	1990-1994	Subaru Loyale	WPG-028	2001-2004	Chevrolet W4500 Tiltmaster
WPF-003	1986-1988	Subaru RX	WPG-028	2001-2004	Chevrolet W5500 Tiltmaster
WPF-005	1981-1984	Subaru DL	WPG-028	2001-2004	GMC W3500 Forward
WPF-005	1980-1984	Subaru GL	WPG-028	2001-2004	GMC W4500 Forward
WPF-005	1981-1982	Subaru GLF	WPG-028	2001-2004	GMC W5500 Forward
WPF-005	1981-1982	Subaru Standard	WPG-028	1998-2004	Isuzu N
WPF-005	1981-1987	Subaru Brat	WPG-030	1998-1999	Acura SLX
WPF-006	2002-2004	Subaru Impreza	WPG-030	1998-2002	Honda Passport
WPF-006	1991	Subaru Legacy	WPG-030	1998-2000	Isuzu Amigo
WPF-007	1987-1989	Subaru DL	WPG-030	2002-2004	Isuzu Axiom
WPF-007	1986-1989	Subaru GL	WPG-030	1998-2004	Isuzu Rodeo
WPF-007	1985-1989	Subaru GL-10	WPG-030	1998-2002	Isuzu Trooper
WPF-007	1989	Subaru RX	WPG-030	1999-2001	Isuzu VehiCROSS
WPF-007	1987	Subaru Standard	WPH-001	1997-1999	Acura CL
WPF-007	1985-1991	Subaru XT	WPH-001	1990-2002	Honda Accord
WPF-008	1993-1994	Subaru Legacy	WPH-001	1992-1996	Honda Prelude
WPF-012	1980-1984	Subaru DL	WPH-001	1995-1998	Honda Odyssey
WPF-012	1980-1980	Subaru GL	WPH-002	1988-1991	Honda CRX
WPF-012	1986-1987	Subaru GL	WPH-002	1988-1995	Honda Civic
WPF-012	1980	Subaru GLF	WPH-002	1993-1995	Honda Civic del Sol
WPF-012	1980-1987	Subaru Standard	WPH-003	1986-1989	Honda Accord
WPF-013	1983	Subaru GL	WPH-003	1985-1987	Honda Prelude
WPF-013	1984	Subaru Brat	WPH-004	1995-1998	Acura TL
WPF-023	2004-2007	Subaru Forester	WPH-004	1992-1994	Acura Vigor
WPF-023	2004-2012	Subaru Impreza	WPH-005	1990-1995	Acura Integra
WPF-023	2005-2009	Subaru Legacy	WPH-006	1992-1995	Honda Civic
WPF-023	2005-2009	Subaru Outback	WPH-006	1993-1995	Honda Civic del Sol
WPF-023	2004-2006	Subaru Baja	WPH-007	1991-1995	Acura Legend
WPF-024	2008-2012	Subaru Forester	WPH-008	1986-1990	Acura Legend
WPF-024	2011-2012	Subaru Impreza	WPH-008	1995-1997	Honda Accord
WPF-025	2006-2010	Subaru Forester	WPH-008	1987-1988	Sterling 825
WPF-025	2006-2011	Subaru Impreza	WPH-008	1989-1989	Sterling 827
WPF-025	2006-2009	Subaru Legacy	WPH-010	1984-1987	Honda Civic
WPF-025	2006-2009	Subaru Outback	WPH-010	1984	Honda Wagovan
WPG-004	1981-1987	Isuzu Pickup	WPH-010	1986-1987	Honda Wagovan
WPG-004	1986-1987	Isuzu Trooper	WPH-011	1996-2000	Honda Civic
WPG-014	1984	Isuzu I-Mark	WPH-011	1996-1997	Honda Civic del Sol
WPG-020	1985-1989	Isuzu I-Mark	WPH-012	1984-1985	Honda Accord
WPG-027	2005-2007	Chevrolet W3500 Tiltmaster	WPH-012	1981-1987	Honda Prelude



# Buyer's Guide

Water Pump

## Water Pumps

Part #	Year	Application	Part #	Year	Application
WPH-013	1986-1989	Acura Integra	WPM-003	1992	Mitsubishi Expo LRV
WPH-016	1988-1991	Honda Prelude	WPM-003	1993	Mitsubishi Mirage
WPH-023	1988-1990	Honda Prelude	WPM-003	1992-1993	Plymouth Colt
WPH-025	1979-1981	Honda Accord	WPM-004	1983-1984	Dodge Power Ram 50
WPH-025	1979	Honda Prelude	WPM-004	1983-1989	Dodge Ram 50
WPH-034	1992-1993	Acura Integra	WPM-004	1983-1992	Mitsubishi Mighty Max
WPH-034	1994-1995	Honda Civic del Sol	WPM-004	1987-1990	Mitsubishi Van
WPH-036	1993-1995	Acura Legend	WPM-006	1978-1979	Dodge Challenger
WPH-040	1996-1998	Acura TL	WPM-006	1978-1980	Dodge Colt
WPH-042	1996-2004	Acura RL	WPM-006	1976-1977	Plymouth Arrow
WPH-044	2001-2005	Honda Civic	WPM-006	1978-1980	Plymouth Colt
WPH-054	2004-2008	Acura TSX	WPM-006	1978-1979	Plymouth Sapporo
WPH-054	2003-2007	Honda Accord	WPM-009	1981-1990	Dodge Colt
WPH-054	2007-2009	Honda CR-V	WPM-009	1993-1994	Eagle Talon
WPH-054	2003-2011	Honda Element	WPM-009	1990-1994	Mitsubishi Eclipse
WPH-800	1997-1999	Acura CL	WPM-009	1985-1988	Mitsubishi Mirage
WPH-800	2001-2003	Acura CL	WPM-009	1981-1990	Plymouth Colt
WPH-800	1999-2003	Acura TL	WPM-009	1990-1994	Plymouth Laser
WPH-800	1998-2002	Honda Accord	WPM-010	1984-1991	Dodge Colt
WPH-800	2001-2002	Acura MDX	WPM-010	1989-1991	Hyundai Sonata
WPH-800	1999-2004	Honda Odyssey	WPM-010	1983-1988	Mitsubishi Cordia
WPH-800	2003-2004	Honda Pilot	WPM-010	1985-1987	Mitsubishi Galant
WPH-801	2005-2012	Acura RL	WPM-010	1983-1988	Mitsubishi Tre dia
WPH-801	2004-2012	Acura TL	WPM-010	1984-1991	Plymouth Colt
WPH-801	2003-2012	Honda Accord	WPM-012	1991-1993	Eagle 2000 GTX
WPH-801	2010-2011	Honda Accord Crosstour	WPM-012	1990-1994	Eagle Talon
WPH-801	2012	Honda Crosstour	WPM-012	1993-1995	Hyundai Elantra
WPH-801	2003-2012	Acura MDX	WPM-012	1992-1998	Hyundai Sonata
WPH-801	2010-2012	Acura ZDX	WPM-012	1990-1994	Mitsubishi Eclipse
WPH-801	2005-2012	Honda Odyssey	WPM-012	1989-1992	Mitsubishi Galant
WPH-801	2005-2012	Honda Pilot	WPM-012	1990-1994	Plymouth Laser
WPH-801	2006-2012	Honda Ridgeline	WPM-013	1989	Dodge Raider
WPH-801	2004-2007	Saturn Vue	WPM-013	1990-1991	Dodge Ram 50
WPH-802	2006-2011	Honda Civic	WPM-013	1990-1994	Mitsubishi Mighty Max
WPM-001	1981-1994	Dodge Colt	WPM-013	1989-1994	Mitsubishi Montero
WPM-001	1989-1996	Eagle Summit	WPM-014	1990-1993	Chrysler Daytona
WPM-001	1990-1991	Eagle Vista	WPM-014	1990-1993	Chrysler LeBaron
WPM-001	1995-2001	Hyundai Accent	WPM-014	1988-1989	Chrysler New Yorker
WPM-001	1986-1994	Hyundai Excel	WPM-014	1990-1991	Chrysler TC Maserati
WPM-001	1991-1995	Hyundai Scoupe	WPM-014	1990-1993	Dodge Daytona
WPM-001	1985-1996	Mitsubishi Mirage	WPM-014	1988-1993	Dodge Dynasty
WPM-001	1987-1994	Mitsubishi Precis	WPM-014	1992-1994	Dodge Shadow
WPM-001	1981-1994	Plymouth Colt	WPM-014	1989-1995	Dodge Spirit
WPM-002	1983-1985	Dodge Power Ram 50	WPM-014	1991-1996	Dodge Stealth
WPM-002	1983-1985	Dodge Ram 50	WPM-014	1990-1998	Hyundai Sonata
WPM-002	1983-1985	Mitsubishi Mighty Max	WPM-014	1997-1999	Mitsubishi 3000GT
WPM-003	1993	Dodge Colt	WPM-014	1992-1996	Mitsubishi Diamante
WPM-003	1992-1993	Eagle Summit	WPM-014	1988	Mitsubishi Galant





# Buyer's Guide

## Water Pumps

Part #	Year	Application	Part #	Year	Application
WPM-014	1989-1990	Mitsubishi Sigma	WPN-001	1995-1998	Nissan 200SX
WPM-014	1989-1995	Plymouth Acclaim	WPN-001	1991-1993	Nissan NX
WPM-014	2000-	Chrysler Grand Voyager	WPN-001	1991-1999	Nissan Sentra
WPM-014	2000	Chrysler Voyager	WPN-003	1982	Nissan 310
WPM-014	1987-2000	Dodge Caravan	WPN-003	1984-1988	Nissan Pulsar NX
WPM-014	1992	Dodge Grand Caravan	WPN-003	1984-1987	Nissan Sentra
WPM-014	1988-1989	Dodge Grand Caravan	WPN-004	1987	Nissan D21
WPM-014	994 -2000	Dodge Grand Caravan	WPN-004	1989-1990	Nissan D21
WPM-014	1988-1989	Plymouth Grand Voyager	WPN-004	1992-1994	Nissan D21
WPM-014	1992-2000	Plymouth Grand Voyager	WPN-004	1987-1995	Nissan Pathfinder
WPM-014	1987-2000	Plymouth Voyager	WPN-004	1995-1996	Nissan Pickup
WPM-019	1988-1989	Mitsubishi Starion	WPN-011	1985-1994	Nissan Maxima
WPM-021	1987	Mitsubishi Starion	WPN-011	1993-1998	Mercury Villager
WPM-022	1986	Dodge Conquest	WPN-011	1993-1998	Nissan Quest
WPM-022	1985-1987	Mitsubishi Starion	WPN-013	1970-1973	Nissan 240Z
WPM-022	1986	Plymouth Conquest	WPN-013	1974-1975	Nissan 260Z
WPM-030	1991-1999	Mitsubishi 3000GT	WPN-013	1975-1978	Nissan 280Z
WPM-030	1992-1995	Mitsubishi Diamante	WPN-013	1979-1983	Nissan 280ZX
WPM-031	1994-1995	Mitsubishi Montero	WPN-013	1977-1981	Nissan 810
WPM-033	2002-2007	Mitsubishi Lancer	WPN-013	1982-1984	Nissan Maxima
WPM-033	1997-2002	Mitsubishi Mirage	WPN-014	1991-1996	Infiniti G20
WPM-035	1995-2000	Mitsubishi Montero	WPN-014	1999-2002	Infiniti G20
WPM-035	1997-2004	Mitsubishi Montero Sport	WPN-014	1995-1998	Nissan 200SX
WPM-038	1997-1999	Mitsubishi Montero Sport	WPN-014	1991-1993	Nissan NX
WPM-045	1994	Dodge Colt	WPN-014	1991-1994	Nissan Sentra
WPM-045	1994-1996	Eagle Summit	WPN-014	1998-2001	Nissan Sentra
WPM-045	1993-1994	Mitsubishi Expo LRV	WPN-016	1990-1996	Nissan 300ZX
WPM-045	1993-1996	Mitsubishi Mirage	WPN-017	1990-1993	Infiniti Q45
WPM-045	1994	Plymouth Colt	WPN-019	1990-1992	Infiniti M30
WPM-048	1993-1996	Eagle Summit	WPN-019	1987-1988	Nissan 200SX
WPM-048	1995-1998	Eagle Talon	WPN-019	1984-1989	Nissan 300ZX
WPM-048	1995-1999	Mitsubishi Eclipse	WPN-019	1986	Nissan D21
WPM-048	1993-1995	Mitsubishi Expo	WPN-019	1988	Nissan D21
WPM-048	1993-1994	Mitsubishi Expo LRV	WPN-019	1991	Nissan D21
WPM-048	1993-1998	Mitsubishi Galant	WPN-020	1987-1988	Nissan Multi
WPM-048	1993-1994	Plymouth Colt	WPN-020	1987-1989	Nissan Pulsar NX
WPM-055	1997-2002	Mitsubishi Mirage	WPN-020	1988-1989	Nissan Stanza
WPM-056	1989-1992	Mitsubishi Galant	WPN-021	1971-1973	Nissan 1200
WPM-057	2000-2005	Mitsubishi Eclipse	WPN-021	1979	Nissan 210
WPM-057	1999-2003	Mitsubishi Galant	WPN-021	1979-1981	Nissan 310
WPM-058	1993-1996	Mitsubishi Mighty Max	WPN-021	1974-1978	Nissan B210
WPM-059	1995-2000	Chrysler Cirrus	WPN-021	1976-1978	Nissan F10
WPM-059	1995-1998	Dodge Stratus	WPN-024	1984-1988	Nissan 200SX
WPM-059	2001-2002	Dodge Stratus	WPN-027	1977-1983	Nissan 200SX
WPM-059	1997-2004	Mitsubishi Diamante	WPN-027	1980-1981	Nissan 510
WPM-059	2000-2005	Mitsubishi Eclipse	WPN-027	1975-1977	Nissan 710
WPM-059	1999-2003	Mitsubishi Galant	WPN-027	1975-1979	Nissan 620
WPM-069	2001-2002	Mitsubishi Montero	WPN-027	1980-1981	Nissan 720



# Buyer's Guide

## Water Pumps

Part #	Year	Application	Part #	Year	Application
WPN-027	1984-1986	Nissan 720	WPN-702	2003-2006	Nissan Altima
WPN-027	1986-1989	Nissan D21	WPN-702	2004-2008	Nissan Maxima
WPN-027	1987-1988	Nissan Pathfinder	WPN-702	2005-2011	Nissan Frontier
WPN-029	1979-1982	Nissan 210	WPN-702	2005-2011	Nissan Pathfinder
WPN-029	1975-1978	Nissan B210	WPN-702	2004-2009	Nissan Quest
WPN-031	1983	Nissan Pulsar	WPN-702	2005-2011	Nissan Xterra
WPN-031	1983	Nissan Pulsar NX	WPN-703	2002-2012	Nissan Altima
WPN-031	1982-1983	Nissan Sentra	WPN-703	2002-2012	Nissan Sentra
WPN-031	1988	Nissan Sentra	WPN-704	2000-2006	Nissan Sentra
WPN-032	1977-1981	Nissan 200SX	WPN-705	2009-2011	Infiniti FX50
WPN-032	1968-1973	Nissan 510	WPN-705	2004-2011	Infiniti QX56
WPN-032	1978-1979	Nissan 510	WPN-705	2005-2012	Nissan Armada
WPN-032	1973-1976	Nissan 610	WPN-705	2012	Nissan NV2500
WPN-032	1970-1972	Nissan 521 Pickup	WPN-705	2012	Nissan NV3500
WPN-032	1972-1974	Nissan 620 Pickup	WPN-705	2004	Nissan Pathfinder
WPN-032	1982-1983	Nissan 720	WPN-705	2008-2012	Nissan Pathfinder
WPN-033	1986	Nissan Multi	WPN-705	2004-2012	Nissan Titan
WPN-033	1982-1987	Nissan Stanza	WPN-706	1999-2004	Nissan Frontier
WPN-036	1963-1965	Nissan 411	WPN-707	2007-2012	Nissan Sentra
WPN-036	1967	Nissan 411	WPN-707	2007-2012	Nissan Versa
WPN-036	1965-1968	Nissan 520 Pickup	WPN-800	1999-2002	Nissan Quest
WPN-036	1969	Nissan 521 Pickup	WPS-002	1985	Suzuki SJ410
WPN-037	1983-1987	Nissan Sentra	WPS-004	1985-1995	Suzuki Samurai
WPN-055	1993-1997	Infiniti J30	WPS-004	1989	Suzuki Sidekick
WPN-058	1989-1990	Nissan Pulsar NX	WPS-006	1995-1997	Suzuki Esteem
WPN-058	1989-1990	Nissan Sentra	WPS-006	1998	Chevrolet Tracker
WPN-059	1989-1998	Nissan 240SX	WPS-006	1989-1997	Geo Tracker
WPN-059	1990-1994	Nissan D21	WPS-006	1989-1998	Suzuki Sidekick
WPN-059	1995-1997	Nissan Pickup	WPS-006	1996-1998	Suzuki X-90
WPN-060	1993-2001	Nissan Altima	WPS-007	1998-2001	Chevrolet Metro
WPN-064	1987-1988	Nissan Van	WPS-007	1989-1991	Chevrolet Sprint
WPN-067	1990-1995	Nissan Axxess	WPS-007	1989-1997	Geo Metro
WPN-067	1990-1992	Nissan Stanza	WPS-007	1989-2001	Suzuki Swift
WPN-070	1996-2001	Infiniti I30	WPT-002	1990-1991	Lexus ES250
WPN-070	1995-2001	Nissan Maxima	WPT-002	1992-1993	Lexus ES300
WPN-070	2001-2003	Infiniti QX4	WPT-002	1988-1993	Toyota Camry
WPN-070	2001-2004	Nissan Pathfinder	WPT-003	1985-1988	Chevrolet Nova
WPN-079	1981	Nissan 810	WPT-003	1989-1992	Geo Prizm
WPN-079	1982-1983	Nissan Maxima	WPT-003	1990-1993	Toyota Celica
WPN-081	1992-1994	Nissan Maxima	WPT-003	1988-1992	Toyota Corolla
WPN-083	1994-1996	Infiniti Q45	WPT-004	1984-1986	Toyota Camry
WPN-085	1997-2000	Infiniti QX4	WPT-004	1984-1985	Toyota Corolla
WPN-085	1996-2000	Nissan Pathfinder	WPT-006	1997-1999	Toyota Paseo
WPN-085	2000-2004	Nissan Xterra	WPT-007	1985	Toyota Celica
WPN-089	1997-2001	Infiniti Q45	WPT-007	1985-1995	Toyota 4Runner
WPN-108	2009-2011	Nissan Versa	WPT-007	1985-1995	Toyota Pickup
WPN-700	1998-2004	Nissan Frontier	WPT-008	1984-1988	Toyota Corolla
WPN-700	2000-2004	Nissan Xterra	WPT-010	1987-2001	Toyota Camry

Water Pump



# Buyer's Guide

## Water Pumps

Part #	Year	Application	Part #	Year	Application
WPT-010	1987-1999	Toyota Celica	WPT-049	1975-1982	Toyota Corolla
WPT-010	1991-1995	Toyota MR2	WPT-052	1985-1987	Toyota Corolla
WPT-010	1999-2001	Toyota Solara	WPT-055	1988	Chevrolet Nova
WPT-010	1996-2000	Toyota RAV4	WPT-055	1990-1992	Geo Prizm
WPT-011	1997-1999	Toyota Paseo	WPT-055	1984-1991	Toyota Corolla
WPT-013	1984-1987	Toyota Pickup	WPT-055	1985-1989	Toyota MR2
WPT-014	1991-1997	Toyota Previa	WPT-056	1988-1993	Toyota Celica
WPT-016	1984-1989	Toyota Van	WPT-056	1991-1995	Toyota MR2
WPT-017	1978-1984	Toyota Celica	WPT-057	1994-2003	Lexus ES300
WPT-017	1978-1981	Toyota Corona	WPT-057	2004-2006	Lexus ES330
WPT-017	1984	Toyota 4Runner	WPT-057	1995-2004	Toyota Avalon
WPT-017	1978-1984	Toyota Pickup	WPT-057	1994-2006	Toyota Camry
WPT-018	1993-1997	Geo Prizm	WPT-057	1999-2008	Toyota Solara
WPT-018	1994-1997	Toyota Corolla	WPT-057	1999-2003	Lexus RX300
WPT-020	1976-1979	Toyota Land Cruiser	WPT-057	2004-2006	Lexus RX330
WPT-021	1983-1984	Toyota Starlet	WPT-057	2006-2008	Lexus RX400h
WPT-022	1984-1988	Toyota Corolla	WPT-057	2001-2010	Toyota Highlander
WPT-023	1996-1997	Lexus LX450	WPT-057	1998-2006	Toyota Sienna
WPT-023	1993-1997	Toyota Land Cruiser	WPT-060	1986-1989	Toyota Celica
WPT-025	1989-1992	Toyota Cressida	WPT-063	1979-1980	Toyota Land Cruiser
WPT-025	1986-1992	Toyota Supra	WPT-065	1980-1981	Toyota Celica
WPT-028	1981-1987	Toyota Land Cruiser	WPT-065	1980-1982	Toyota Cressida
WPT-029	1988-1990	Toyota Land Cruiser	WPT-066	1980-1983	Toyota Tercel
WPT-030	1989-1992	Toyota 4Runner	WPT-067	1981-1983	Toyota Pickup
WPT-030	1989-1992	Toyota Pickup	WPT-068	1989-1992	Toyota Supra
WPT-031	1978-1979	Toyota Corolla	WPT-072	1983	Toyota Corolla
WPT-031	1981-1982	Toyota Starlet	WPT-075	1982-1985	Toyota Celica
WPT-032	1993-1995	Toyota 4Runner	WPT-075	1983-1988	Toyota Cressida
WPT-032	1993-1995	Toyota Pickup	WPT-078	1993-1997	Geo Prizm
WPT-032	1993-1994	Toyota T100	WPT-078	1994-1995	Toyota Celica
WPT-033	1996-1997	Toyota Celica	WPT-078	1993	Toyota Corolla
WPT-033	1993-1995	Toyota Corolla	WPT-078	1996-1997	Toyota Corolla
WPT-033	1997	Toyota Corolla	WPT-079	1977	Toyota Corolla
WPT-038	2000	Lexus SC300	WPT-084	1979	Toyota Celica
WPT-038	1993-1998	Toyota Supra	WPT-084	1978-1979	Toyota Cressida
WPT-044	1996-2000	Toyota 4Runner	WPT-084	1967-1970	Toyota Crown
WPT-044	2010-2010	Toyota 4Runner	WPT-084	1972-1976	Toyota Mark II
WPT-044	1994-1998	Toyota T100	WPT-085	1972-1973	Toyota Carina
WPT-044	1995-2012	Toyota Tacoma	WPT-085	1971-1975	Toyota Corolla
WPT-046	1985-1988	Chevrolet Nova	WPT-090	1991-1992	Toyota Celica
WPT-046	1989-1992	Geo Prizm	WPT-090	1988-1989	Toyota Corolla
WPT-046	1990-1993	Toyota Celica	WPT-090	1984-1988	Toyota Tercel
WPT-046	1988-1992	Toyota Corolla	WPT-097	1983-1986	Toyota Camry
WPT-046	1998	Toyota Paseo	WPT-097	1986	Toyota Celica
WPT-048	1996	Toyota 4Runner	WPT-098	1988	Toyota 4Runner
WPT-048	1995-1998	Toyota T100	WPT-098	1988	Toyota Pickup
WPT-048	1995-2000	Toyota Tacoma	WPT-099	1994	Toyota 4Runner
WPT-048	2000-2004	Toyota Tundra	WPT-099	1994-1995	Toyota Pickup



# Buyer's Guide

## Water Pumps

Part #	Year	Application	Part #	Year	Application
WPT-100	1996-2002	Toyota 4Runner	WPT-800	1992-2000	Lexus SC400
WPT-100	1995-1998	Toyota T100	WPT-800	2002-2010	Lexus SC430
WPT-100	1995-2004	Toyota Tacoma	WPT-800	2003-2009	Lexus GX470
WPT-100	2000-2004	Toyota Tundra	WPT-800	1998-2007	Lexus LX470
WPT-106	1998-2002	Chevrolet Prizm	WPT-800	2003-2009	Toyota 4Runner
WPT-106	2000-2005	Toyota Celica	WPT-800	1998-2007	Toyota Land Cruiser
WPT-106	1998-2008	Toyota Corolla	WPT-800	2001-2009	Toyota Sequoia
WPT-106	2000-2005	Toyota MR2 Spyder	WPT-800	2000-2009	Toyota Tundra
WPT-106	2003-2008	Toyota Matrix	WPT-801	2010-2012	Lexus HS250h
WPT-107	1992-1996	Toyota Paseo	WPT-801	2005-2010	Scion tC
WPT-107	1987-1998	Toyota Tercel	WPT-801	2002-2011	Toyota Camry
WPT-108	1993	Toyota Corolla	WPT-801	2009-2010	Toyota Corolla
WPT-108	1995	Toyota Corolla	WPT-801	2009-2011	Toyota Matrix
WPT-108	1997	Toyota Corolla	WPT-801	2002-2008	Toyota Solara
WPT-110	1993-1997	Lexus GS300	WPT-801	2011-2012	Scion xB
WPT-110	1992-1999	Lexus SC300	WPT-801	2001-2007	Toyota Highlander
WPT-110	1993-1998	Toyota Supra	WPT-801	2001-2008	Toyota RAV4
WPT-111	2004-2006	Scion xA	WPT-802	2003-2009	Toyota 4Runner
WPT-111	2000-2005	Toyota Echo	WPT-802	2007-2009	Toyota FJ Cruiser
WPT-111	2001-2009	Toyota Prius	WPT-802	2005-2012	Toyota Tacoma
WPT-111	2006-2012	Toyota Yaris	WPT-802	2005-2011	Toyota Tundra
WPT-111	2004-2006	Scion xB	WPT-803	2007-2012	Lexus ES350
WPT-116	1998-2005	Lexus GS300	WPT-803	2005-2012	Toyota Avalon
WPT-116	2001-2005	Lexus IS300	WPT-803	2007-2012	Toyota Camry
WPT-137	2006	Lexus GS300	WPT-803	2009-2012	Toyota Venza
WPT-137	2007-2011	Lexus GS350	WPT-803	2007-2012	Lexus RX350
WPT-137	2007-2011	Lexus GS450h	WPT-803	2010-2012	Lexus RX450h
WPT-137	2006-2011	Lexus IS250	WPT-803	2008-2012	Toyota Highlander
WPT-137	2006-2011	Lexus IS350	WPT-803	2006-2012	Toyota RAV4
WPT-140	2008-2012	Scion xD	WPT-803	2007-2012	Toyota Sienna
WPT-140	2009-2012	Toyota Corolla	WPT-804	2008-2011	Lexus LX570
WPT-140	2009-2011	Toyota Matrix	WPT-804	2008-2011	Toyota Land Cruiser
WPT-187	2008-2011	Lexus GS460	WPT-804	2008-2012	Toyota Sequoia
WPT-187	2008-2012	Lexus IS F	WPT-804	2007-2012	Toyota Tundra
WPT-187	2007-2012	Lexus LS460	WPT-805	2011-2012	Scion tC
WPT-187	2008-2012	Lexus LS600h	WPT-805	2010-2012	Toyota Camry
WPT-190	2011-2012	Lexus CT200h	WPT-805	2009-2012	Toyota Venza
WPT-190	2010-2012	Toyota Prius	WPT-805	2009-2012	Toyota Highlander
WPT-190	2012	Toyota Prius C	WPT-805	2009-2011	Toyota RAV4
WPT-190	2012	Toyota Prius V	WPT-805	2011-2012	Toyota Sienna
WPT-191	2013	Lexus ES300h	WPT-806	1990-1995	Toyota Celica
WPT-191	2011-2013	Toyota Camry	WPT-806	1991-1995	Toyota MR2
WPT-401	1989-1995	Ford Taurus	WPTK-010	1987-2001	Toyota Camry
WPT-402	1993-1995	Ford Taurus	WPTK-010	1987-1989	Toyota Celica
WPT-800	1998-2000	Lexus GS400	WPTK-010	1999-2001	Toyota Solara
WPT-800	2001-2007	Lexus GS430	WPTK-010	1996-2000	Toyota RAV4
WPT-800	1990-2000	Lexus LS400	WPV-800	1992-1993	Volvo 960
WPT-800	2001-2006	Lexus LS430	WPV-800	2010-2011	Volvo C30





# Timing Belt Kit



AISIN takes pride in being the largest Water Pump supplier in the world to vehicle manufacturers and combines OE matched components into one convenient timing belt kit for the aftermarket.

- AISIN Water Pump with gaskets. Select applications offer AISIN water pumps with housing.
- AISIN OE NTN Hydraulic Tensioner in select applications.
- OE matched Tensioner Spring(s) in select applications.
- OE matched Idler Bearing, and Tensioner Bearing (Koyo and NSK brands)
- OE matched Timing Belt supplied by Mitsubishi.

## Preventive Maintenance *can save you time and money*

Your service technician will tell you that replacing your timing belt is critical to your engine's life. If it fails, severe engine damage such as bent valves can occur.

This is also true with the water pump, which is the *heart* of the cooling system. If the water pump fails, it can also cause severe engine damage, leading to a blown head gasket, or in the worst case, the whole engine may need replacement.

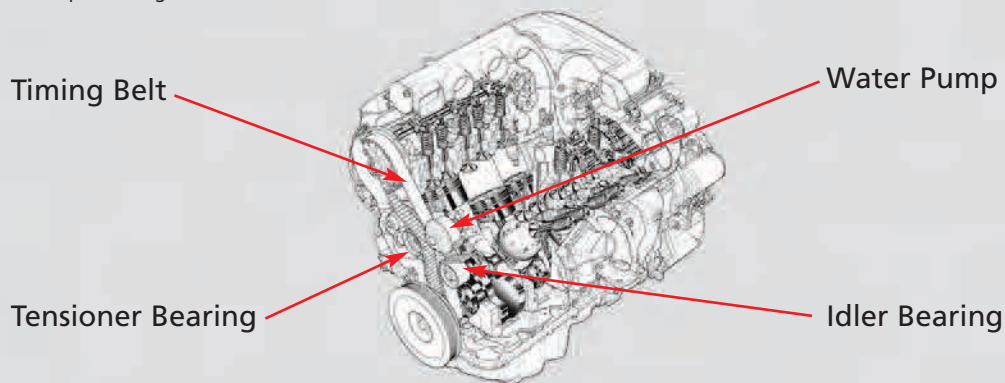
Did you know that the replacement of a typical timing belt is almost, bolt-for-bolt and nut-for-nut, the same process as for a water pump?

A typical timing belt replacement will include the timing belt and bearings. Since the life expectancies of these bearings (idler and tensioner) are about the same as the bearing inside your water pump, *it just makes sense* to replace these two critical engine parts at the same time, *saving you time, money and giving you peace of mind.*

### Example Standard Labor Rate Comparisons

Vehicle Information				*Approximate Labor Time (Hours)				
Year	Make	Model	Motor	Timing Belt	Water Pump	Total	<i>Timing Belt &amp; Water Pump</i>	<i>Hours Saved</i>
02-06	Toyota	Camry	3.0L V6	3.0	4.0	7.0	4.0	3.0
99-04	Honda	Odyssey	3.5L V6	5.0	5.0	10.0	5.0	5.0

\* Time estimates per labor guides



- AISIN is the largest original equipment water pump manufacturer in the world.
- AISIN water pumps are original equipment on many European and Japanese vehicles.



# Timing Belt Kit Applications

Make/Model	Year	Engine	Attributes	Notes	Part #
<b>Acura</b>					
CL	1997	2.2L L4 2156cc	F22B1	Interference engine	TKH-006
	1998-1999	2.3L L4 2254cc	F23A1	Interference engine	TKH-006
	1997-1999	3.0L V6 2997cc	J30A1	Interference engine	TKH-011
	2001-2003	3.2L V6 3210cc	J32A2	Interference engine	TKH-001
J32A1			Interference engine	TKH-001	
MDX	2001-2002	3.5L V6 3471cc	J35A3	Interference engine	TKH-001
	2003-2006	3.5L V6 3471cc	J35A5	Interference engine	TKH-002
	2007-2012	3.7L V6 3664cc	J37A1	Interference engine	TKH-002
RL	2005-2008	3.5L V6 3471cc	J35A8	Interference engine	TKH-002
	2009-2012	3.7L V6 3664cc	J37A2	Interference engine	TKH-002
SLX	1998-1999	3.5L V6 3494cc	6VE1		TKH-012
TL	1999	3.2L V6 3210cc	J32A1	Interference engine	TKH-011
	2000-2003	3.2L V6 3210cc	J32A1	Interference engine	TKH-001
			J32A2	Interference engine	TKH-001
	2004-2008	3.2L V6 3210cc	J32A3	Interference engine	TKH-002
	2007-2012	3.5L V6 3471cc	J35A8 ; Type-S	Interference engine	TKH-002
			J35Z6	Interference engine	TKH-002
2009-2013	3.7L V6 3664cc	J37A4 ; SH-AWD	Interference engine	TKH-002	
TSX	2010-2012	3.5L V6 3471cc	J35Z6	Interference engine	TKH-002
ZDX	2010-2012	3.7L V6 3664cc	J37A5	Interference engine	TKH-002
<b>Geo</b>					
Prizm	1990-1992	1.6L L4 1587cc	4AFE		TKT-018
	1993-1997	1.6L L4 1588cc			TKT-019
		1.8L L4 1788cc	LSi		TKT-017
<b>Honda</b>					
Accord	1986	2.0L L4 1955cc	BS ; DX	Interference engine	TKH-004
			BS ; LXi	Interference engine	TKH-004
			BS ; LX	Interference engine	TKH-004
			BT ; LXi	Interference engine	TKH-004
	1987-1989	2.0L L4 1955cc	A20A1 ; DX	Interference engine	TKH-004
			A20A1 ; LX	Interference engine	TKH-004
			A20A3 ; LXi	Interference engine	TKH-004
			A20A3 ; SEi	Interference engine	TKH-004
	1990-1993	2.2L L4 2156cc	F22A1	Interference engine	TKH-007
			F22A6	Interference engine	TKH-007
	1994-1997	2.2L L4 2156cc	F22B1	Interference engine	TKH-006
	1998-2002	2.3L L4 2254cc	F22B2	Interference engine	TKH-007
			F23A4	Interference engine	TKH-006
			F23A5	Interference engine	TKH-006
			F23A1	Interference engine	TKH-006
	2003-2007	3.0L V6 2997cc	J30A1	Interference engine	TKH-011
			J30A4	Interference engine	TKH-002
3.0L V6 2977cc		Hybrid ; JNA1	Interference engine	TKH-002	
		J30A5	Interference engine	TKH-002	
		J35Z2	Interference engine	TKH-002	
2008-2012	3.5L V6 3471cc	J35Z3	Interference engine	TKH-002	
		J35Z2	Interference engine	TKH-002	
Accord Crosstour	2010-2011	3.5L V6 3471cc	J35Z2	Interference engine	TKH-002
Civic	1996-2000	1.6L L4 1590cc	D16Y5	Interference engine	TKH-005



Timing Belt Kits

Make/Model	Year	Engine	Attributes	Notes	Part #
<b>Honda</b>					
Civic	1996-2000	1.6L L4 1590cc	D16Y7	Interference engine	TKH-005
	1998-2000	1.6L L4 1590cc	D16B5	Interference engine	TKH-005
			D16Y8 ; EX	Interference engine	TKH-005
			D17A1 (non Si)	Interference engine	TKH-003
	2001-2005	1.7L L4 1668cc	D17A2 (non Si)	Interference engine	TKH-003
			D17A6 (non Si)	Interference engine	TKH-003
D17A7 (non Si)			Interference engine	TKH-003	
Civic del Sol	1996-1997	1.6L L4 1590cc	D16Y7	Interference engine	TKH-005
Crosstour	2012	3.5L V6 3471cc	J35Z2	Interference engine	TKH-002
Odyssey	1995-1997	2.2L L4 2156cc	F22B6	Interference engine	TKH-007
	1998	2.3L L4 2234cc	F23A7	Interference engine	TKH-006
	1999	3.5L V6 3474cc	J35A1	Interference engine	TKH-011
	2000-2004	3.5L V6 3474cc	J35A1	Interference engine	TKH-001
			J35A4	Interference engine	TKH-001
	2005-2012	3.5L V6 3471cc	J35A7	Interference engine	TKH-002
			J35A6	Interference engine	TKH-002
J35A8			Interference engine	TKH-002	
Passport	1998-2002	3.2L V6 3165cc	6VD1		TKH-012
Pilot	2003-2004	3.5L V6 3475cc	J35A4	Interference engine	TKH-001
	2005-2008	3.5L V6 3471cc	J35A6	Interference engine	TKH-002
			J35A9	Interference engine	TKH-002
			J35Z1	Interference engine	TKH-002
2009-2012	3.5L V6 3471cc	J35Z4	Interference engine	TKH-002	
Prelude	1985-1987	2.0L L4 1955cc	2.0 Si	Interference engine	TKH-004
	1992-1996	2.2L L4 2156cc	F22A1	Interference engine	TKH-007
Ridgeline	2006-2012	3.5L V6 3471cc	J35A9	Interference engine	TKH-002
			J35Z5	Interference engine	TKH-002
<b>Infiniti</b>					
QX4	1997-2000	3.3L V6 3275cc	VG33E	Interference engine	TKN-001
<b>Isuzu</b>					
Amigo	1998-2000	3.2L V6 3165cc	6VD1		TKH-012
Trooper	1998-2002	3.5L V6 3475cc	6VE1		TKH-012
VehiCROSS	1999-2001	3.5L V6 3475cc	6VE1		TKH-012
<b>Lexus</b>					
ES250	1990-1991	2.5L V6 2508cc	2VZFE	With Hydraulic Tensioner	TKT-012
ES300	1992-1993	3.0L V6 2959cc	3VZFE	With Hydraulic Tensioner	TKT-013
	1994-1995	3.0L V6 2995cc	1MZFE	(without) Hydraulic Tensioner; Interference engine	TKT-004
				Interference engine; To 07/01; With Hydraulic Tensioner	TKT-024
	1996-1998	3.0L V6 2959cc	1MZFE	(without) Hydraulic Tensioner; Interference engine	TKT-004
				Interference engine; With Hydraulic Tensioner	TKT-024
	1999-2001	3.0L V6 2995cc	1MZFE	Interference engine; To 07/01; With Hydraulic Tensioner	TKT-024
2002-2003	3.0L V6 2995cc	1MZFE	(without) Hydraulic Tensioner; Interference engine	TKT-006	
			Interference engine; With Hydraulic Tensioner	TKT-026	
ES330	2004-2006	3.3L V6 3300cc	3MZFE	(without) Hydraulic Tensioner; Interference engine	TKT-006
				Interference engine; With Hydraulic Tensioner	TKT-026
GS300	1993-1997	3.0L L6 2997cc	2JZGE	(without) Hydraulic Tensioner	TKT-009
	1998-2005	3.0L L6 2997cc	2JZGE	With Hydraulic Tensioner	TKT-029
(without) Hydraulic Tensioner				TKT-011	
GS400	1998-2000	4.0L V8 3969cc	1UZFE	With Hydraulic Tensioner	TKT-031
				(without) Hydraulic Tensioner; Interference engine	TKT-001
GS430	2001-2007	4.3L V8 4293cc	3UZFE	Interference engine; With Hydraulic Tensioner	TKT-021
				(without) Hydraulic Tensioner; Interference engine	TKT-001



Make/Model	Year	Engine	Attributes	Notes	Part #
<b>Lexus</b>					
GS430	2001-2007	4.3L V8 4293cc	3UZFE	Interference engine; With Hydraulic Tensioner	TKT-021
GX470	2003-2009	4.7L V8 4663cc	2UZFE	(without) Hydraulic Tensioner; Interference engine	TKT-001
				Interference engine; With Hydraulic Tensioner	TKT-021
IS300	2001-2005	3.0L L6 2997cc	2JZGE	(without) Hydraulic Tensioner	TKT-011
LS400	1990-1995	4.0L V8 3967cc	1UZFE	(without) Hydraulic Tensioner	TKT-010
				With Hydraulic Tensioner	TKT-030
	1996-1997	4.0L V8 3969cc	1UZFE	(without) Hydraulic Tensioner	TKT-010
				With Hydraulic Tensioner	TKT-030
	1998-2000	4.0L V8 3969cc	1UZFE	(without) Hydraulic Tensioner; Interference engine	TKT-001
				Interference engine; With Hydraulic Tensioner	TKT-021
LS430	2001-2006	4.3L V8 4293cc	3UZFE	(without) Hydraulic Tensioner; Interference engine	TKT-001
LX470	1998-2007	4.7L V8 4663cc	2UZFE	Interference engine; With Hydraulic Tensioner	TKT-021
				(without) Hydraulic Tensioner; Interference engine	TKT-001
RX300	1999-2003	3.0L V6 2995cc	1MZFE	(without) Hydraulic Tensioner; Interference engine To 01/03	TKT-004
RX330	2004-2006	3.3L V6 3300cc	3MZFE	Interference engine; With Hydraulic Tensioner	TKT-024
				(without) Hydraulic Tensioner; Interference engine	TKT-006
RX400h	2006-2008	3.3L V6 3300cc	3MZFE	Interference engine; With Hydraulic Tensioner	TKT-026
				(without) Hydraulic Tensioner; Interference engine	TKT-006
SC300	1992-1999	3.0L L6 2997cc	2JZGE	Interference engine; With Hydraulic Tensioner	TKT-026
				(without) Hydraulic Tensioner	TKT-009
SC400	1992-1995	4.0L V8 3967cc	1UZFE	(without) Hydraulic Tensioner	TKT-010
				With Hydraulic Tensioner	TKT-030
	1996-1997	4.0L V8 3969cc	1UZFE	(without) Hydraulic Tensioner	TKT-010
				With Hydraulic Tensioner	TKT-030
	1998-2000	4.0L V8 3969cc	1UZFE	(without) Hydraulic Tensioner; Interference engine	TKT-001
				Interference engine; With Hydraulic Tensioner	TKT-021
SC430	2002-2009	4.3L V8 4293cc	3UZFE	(without) Hydraulic Tensioner; Interference engine	TKT-001
				Interference engine; With Hydraulic Tensioner	TKT-021
<b>Mercury</b>					
Villager	1999-2002	3.3L V6 3275cc	VG33E	Interference engine	TKN-002
<b>Misubishi</b>					
Eclipse	2000-2005	2.4L L4 2351cc	SOHC	Interference engine	TKM-001
	2000-2005	3.0L V6 2972cc	6G72	Interference engine	TKM-002
			SOHC	Interference engine	TKM-002
Galant	1999-2003	2.4L L4 2351cc	SOHC	Interference engine	TKM-001
		3.0L V6 2972cc	6G72	Interference engine	TKM-002
Lancer	2005-2007	2.0L L4 1999cc	4G94	Interference engine	TKM-004
	2002-2004	2.0L L4 2000cc		Interference engine	TKM-004
Montero	1997-2000	3.5L V6 3497cc	6G74	Interference engine	TKM-003
	2001-2002	3.5L V6 3497cc	SOHC	Interference engine	TKM-005
	2003-2004	3.8L V6 3797cc	SOHC	Interference engine	TKM-005
	2005-2006	3.8L V6 3828cc	SOHC	Interference engine	TKM-005
Montero Sport	1997-1999	2.4L L4 2351cc	4G64	Interference engine	TKM-006
	2000-2004	3.5L V6 3497cc	6G74	Interference engine	TKM-003
<b>Nissan</b>					
Frontier	1999-2004	3.3L V6 3275cc	VG33E	Interference engine	TKN-001
Pathfinder	1996-2000	3.3L V6 3275cc	VG33E	Interference engine	TKN-001
Quest	1999-2002	3.3L V6 3275cc	VG33E	Interference engine	TKN-002
Xterra	2000-2004	3.3L V6 3275cc	VG33E	Interference engine	TKN-001





Make/Model	Year	Engine	Attributes	Notes	Part #	
<b>Saab</b>						
9-2X	2005-2006	2.5L H4 2458cc	EJ253 ; Naturally Aspirated	Interference engine	TKF-001	
	2006	2.5L H4 2458cc	EJ255 ; Turbocharged		TKF-004	
<b>Saturn</b>						
Vue	2004-2007	3.5L V6 3474cc		Interference engine	TKH-002	
		3.5L V6 3471cc		Interference engine	TKH-002	
<b>Subaru</b>						
Baja	2003-2006	2.5L H4 2458cc	EJ253 ; Naturally Aspirated	Interference engine	TKF-007	
Forester	1999-2005	2.5L H4 2458cc	EJ253; Naturally Aspirated	Interference engine	TKF-001	
			EJ251; Naturally Aspirated	Interference engine	TKF-001	
				Interference engine; Manual Transmission	TKF-001	
			EJ255; Naturally Aspirated	Interference engine; Manual Transmission	TKF-001	
	2004-2007	2.5L H4 2458cc	EJ255 ; Turbocharged		TKF-004	
	2008-2010	2.5L H4 2458cc	EJ255 ; Sports 2.5 XT; Turbocharged		TKF-005	
			EJ255 ; Turbocharged; XT Limited		TKF-005	
	2012	2.5L H4 2458cc	EJ255; Limited		TKF-005	
2006-2010	2.5L H4 2458cc	EJ253 ; Naturally Aspirated		TKF-006		
Impreza	1995-1998	2.2L H4 2212cc	EJ22EZ; Naturally Aspirated	Exc. Calif; Interference engine	TKF-002	
				Calif; Interference engine	TKF-003	
	1999-2006	2.5L H4 2458cc	EJ251; Naturally Aspirated	EJ253; Naturally Aspirated	Interference engine	TKF-001
					Interference engine	TKF-001
	2004-2012	2.5L H4 2458cc	EJ257 ; Turbocharged; WRX STI		TKF-004	
			EJ255 ; Turbocharged; WRX TR		TKF-004	
	2006-2010	2.5L H4 2458cc	2.5i; EJ253 ; Naturally Aspirated		TKF-006	
			EJ253 ; Naturally Aspirated; Outback Sport		TKF-006	
	2008-2012	2.5L H4 2458cc	EJ255 ; Turbocharged; WRX		TKF-005	
			2.5 GT; EJ255 ; Turbocharged		TKF-005	
Legacy	1990-1998	2.2L H4 2212cc	Naturally Aspirated	Exc. Calif	TKF-002	
				Exc. Calif; Interference engine	TKF-002	
	1990-1998	2.2L H4 2212cc	Naturally Aspirated	Calif; Interference engine	TKF-003	
2005-2009	2.5L H4 2458cc	EJ255 ; Turbocharged		TKF-004		
<b>Toyota</b>						
4Runner	1988-1992	3.0L V6 2959cc	3VZE		TKT-016	
	1993-1995	3.0L V6 2959cc	3VZE	With Hydraulic Tensioner	TKT-014	
	1996-2002	3.4L V6 3378cc	5VZFE	With Hydraulic Tensioner	TKT-007	
				All Floor Mounted Shifters Auto & Manual & 4WD; With Hydraulic Tensioner (without) Hydraulic Tensioner	TKT-025 TKT-005	
	2003-2009	4.7L V8 4663cc	2UZFE	(without) Hydraulic Tensioner; Interference engine	TKT-001	
			Interference engine; With Hydraulic Tensioner	TKT-021		
Avalon	1995-2004	3.0L V6 2995cc	1MZFE	(without) Hydraulic Tensioner; Interference engine	TKT-004	
			Interference engine; With Hydraulic Tensioner	TKT-024		
Camry	1987-1991	2.0L L4 1998cc	3SFE	Kit Contains Water Pump With Housing	TKT-002	
				Kit Contains Water Pump Without Housing	TKT-003	
	1992-2001	2.2L L4 2164cc	5SFE	3SFE	Kit Contains Water Pump With Housing	TKT-002
					Kit Contains Water Pump Without Housing	TKT-003
	1990-1991	2.5L V6 2508cc	2VZFE	5SFE	With Hydraulic Tensioner	TKT-012
					Kit Contains Water Pump Without Housing	TKT-003
	1992-1993	3.0L V6 2959cc	3VZFE	With Hydraulic Tensioner	TKT-013	
	1994-2001	3.0L V6 2995cc	1MZFE	(without) Hydraulic Tensioner; Interference engine	TKT-004	
				Interference engine; With Hydraulic Tensioner	TKT-024	
	2002-2006	3.0L V6 2995cc	1MZFE	Interference engine; With Hydraulic Tensioner	TKT-026	
2002-2006	3.0L V6 2995cc	1MZFE	(without) Hydraulic Tensioner; Interference engine	TKT-006		
2004-2006	3.3L V6 3300cc	3MZFE	(without) Hydraulic Tensioner; Interference engine	TKT-006		
			Interference engine; With Hydraulic Tensioner	TKT-026		



Timing Belt Kits

Make/Model	Year	Engine	Attributes	Notes	Part #
<b>Toyota</b>					
Celica	1990-1992	1.6L L4 1587cc	4AFE		TKT-018
	1994-1997	1.8L L4 1762cc	7AFE		TKT-017
	1987-1989	2.0L L4 1998cc	3SFE ; ST	Kit Contains Water Pump With Housing	TKT-002
			3SFE	Kit Contains Water Pump Without Housing	TKT-003
	1990-1991	2.2L L4 2164cc	5SFE ; GT		TKT-015
			5SFE ; GTS		TKT-015
	1990-1999	2.2L L4 2164cc	5SFE	Kit Contains Water Pump Without Housing	TKT-003
1992-1999	2.2L L4 2164cc	5SFE ; GT	Kit Contains Water Pump With Housing	TKT-002	
Corolla	1988-1992	1.6L L4 1587cc	4AFE		TKT-018
	1994-1997	1.6L L4 1587cc	4AFE		TKT-019
	1993-1997	1.8L L4 1762cc	7AFE		TKT-017
Highlander	2001-2003	3.0L V6 2995cc	1MZFE	(without) Hydraulic Tensioner; Interference engine Interference engine; With Hydraulic Tensioner	TKT-006 TKT-026
	2004-2009	3.3L V6 3300cc	3MZFE	(without) Hydraulic Tensioner; Interference engine Interference engine; With Hydraulic Tensioner	TKT-006 TKT-026
Land Cruiser	1998-2007	4.7L V8 4663cc	2UZFE	(without) Hydraulic Tensioner; Interference engine Interference engine; With Hydraulic Tensioner	TKT-001 TKT-021
MR2	1991-1995	2.2L L4 2164cc	5SFE	Kit Contains Water Pump Without Housing	TKT-003
				Kit Contains Water Pump With Housing	TKT-015
Pickup	1989-1992	3.0L V6 2959cc	3VZE ; w/ Automatic Trans.		TKT-016
	1993-1995	3.0L V6 2959cc	3VZE	With Hydraulic Tensioner	TKT-014
RAV4	1996-2000	2.0L L4 1998cc	3SFE	Kit Contains Water Pump With Housing	TKT-002
				Kit Contains Water Pump Without Housing	TKT-003
Sequoia	2001-2009	4.7L V8 4663cc	2UZFE	(without) Hydraulic Tensioner; Interference engine Interference engine; With Hydraulic Tensioner	TKT-001 TKT-021
Sienna	1998-2003	3.0L V6 2995cc	1MZFE	(without) Hydraulic Tensioner; Interference engine; To 01/03 Interference engine; With Hydraulic Tensioner	TKT-004 TKT-024
	2004-2006	3.3L V6 3300cc	3MZFE	(without) Hydraulic Tensioner; Interference engine Interference engine; With Hydraulic Tensioner	TKT-006 TKT-026
Solara	1999-2001	2.2L L4 2164cc	5SFE	Kit Contains Water Pump With Housing	TKT-002
				Kit Contains Water Pump Without Housing	TKT-003
	1999-2002	3.0L V6 2995cc	1MZFE	Hydraulic Tensioner; Interference engine Interference engine; With Hydraulic Tensioner	TKT-004 TKT-024
2004-2008	3.3L V6 3300cc	3MZFE	(without) Hydraulic Tensioner; Interference engine Interference engine; With Hydraulic Tensioner	TKT-006 TKT-026	
Supra	1993-1998	3.0L L6 2997cc	2JZGE ; Naturally Aspirated	(without) Hydraulic Tensioner With Hydraulic Tensioner	TKT-009 TKT-029
T100	1993-1994	3.0L V6 2959cc	3VZE	With Hydraulic Tensioner	TKT-014
			5VZFE ; w/ Standard Trans.	(without) Hydraulic Tensioner	TKT-005
	1995-1998	3.4L V6 3378cc	5VZFE ;4WD	(without) Hydraulic Tensioner	TKT-005
			5VZFE	Manual Trans & All 4WD; With Hydraulic Tensioner Automatic w/2WD; With Hydraulic Tensioner	TKT-025 TKT-007
Tacoma	1995-2000	3.4L V6 3378cc	5VZFE ; RWD; w/ Standard Trans.	(without) Hydraulic Tensioner	TKT-005
			5VZFE ; RWD; w/ Automatic Trans.	(without) Hydraulic Tensioner; With Floor Shift	TKT-005
			5VZFE ;4WD	(without) Hydraulic Tensioner	TKT-005
	1995-2004	3.4L V6 3378cc	5VZFE	All Column Mounted Shifter; With Hydraulic Tensioner All Floor Mounted Shifters Auto & Manual & 4WD; With Hydraulic Tensioner (without) Hydraulic Tensioner	TKT-007 TKT-025 TKT-005
Tundra	2000-2004	3.4L V6 3378cc	5VZFE ; RWD	(without) Hydraulic Tensioner; With Floor Shift	TKT-005
			5VZFE ;4WD	(without) Hydraulic Tensioner	TKT-005
			5VZFE	All Floor Mounted Shifters Auto & Manual & 4WD; With Hydraulic Tensioner	TKT-025
	2000-2004	3.4L V6 3378cc	5VZFE	All Column Mounted Shifter; With Hydraulic Tensioner	TKT-007
2000-2009	4.7L V8 4663cc	2UZFE	(without) Hydraulic Tensioner; Interference engine From 02/99; Interference engine; With Hydraulic Tensioner	TKT-001 TKT-021	



# Timing Belt Kit Images

Timing Belt Kits



TKF-001



TKF-002



TKF-003



TKF-004



TKF-005



TKF-006



TKF-007



TKH-001



TKH-002



TKH-003



TKH-004



TKH-005



# Timing Belt Kit Images



Timing Belt Kits





# Timing Belt Kit Images

Timing Belt Kits



TKT-001



TKT-002



TKT-003



TKT-004



TKT-005



TKT-006



TKT-007



TKT-009



TKT-010



TKT-011



TKT-012



TKT-013





# Timing Belt Kit Images



Timing Belt Kits





# Buyer's Guide

## Timing Belt Kit

Part #	Year	Application	Part #	Year	Application
TKF-001	2005-2006	Saab 9-2X	TKH-011	1999	Honda Odyssey
TKF-001	1999-2005	Subaru Forester	TKH-012	1998-1999	Acura SLX
TKF-001	1999-2006	Subaru Impreza	TKH-012	1998-2002	Honda Passport
TKF-002	1995-1998	Subaru Impreza	TKH-012	1998-2000	Isuzu Amigo
TKF-002	1990-1998	Subaru Legacy	TKH-012	1998-2002	Isuzu Trooper
TKF-003	1995-1998	Subaru Impreza	TKH-012	1999-2001	Isuzu VehiCROSS
TKF-003	1990-1998	Subaru Legacy	TKM-001	2000-2005	Mitsubishi Eclipse
TKF-004	2006	Saab 9-2X	TKM-001	1999-2003	Mitsubishi Galant
TKF-004	2004-2007	Subaru Forester	TKM-002	2000-2005	Mitsubishi Eclipse
TKF-004	2004-2012	Subaru Impreza	TKM-002	1999-2003	Mitsubishi Galant
TKF-004	2005-2009	Subaru Legacy	TKM-003	1997-2000	Mitsubishi Montero
TKF-005	2008-2010	Subaru Forester	TKM-003	2000-2004	Mitsubishi Montero Sport
TKF-005	2012	Subaru Forester	TKM-004	2002-2007	Mitsubishi Lancer
TKF-005	2008-2012	Subaru Impreza	TKM-005	2001-2006	Mitsubishi Montero
TKF-006	2006-2010	Subaru Forester	TKM-006	1997-1999	Mitsubishi Montero Sport
TKF-006	2006-2010	Subaru Impreza	TKN-001	1997-2000	Infiniti QX4
TKF-007	2003-2006	Subaru Baja	TKN-001	1999-2004	Nissan Frontier
TKH-001	2001-2003	Acura CL	TKN-001	1996-2000	Nissan Pathfinder
TKH-001	2000-2003	Acura TL	TKN-001	2000-2004	Nissan Xterra
TKH-001	2001-2002	Acura MDX	TKN-002	1999-2002	Mercury Villager
TKH-001	2000-2004	Honda Odyssey	TKN-002	1999-2002	Nissan Quest
TKH-001	2003-2004	Honda Pilot	TKT-001	1998-2000	Lexus GS400
TKH-002	2005-2012	Acura RL	TKT-001	2001-2007	Lexus GS430
TKH-002	2004-2012	Acura TL	TKT-001	1998-2000	Lexus LS400
TKH-002	2010-2012	Acura TSX	TKT-001	2001-2006	Lexus LS430
TKH-002	2003-2012	Honda Accord	TKT-001	1998-2000	Lexus SC400
TKH-002	2010-2011	Honda Accord Crosstour	TKT-001	2002-2009	Lexus SC430
TKH-002	2012	Honda Crosstour	TKT-001	2003-2009	Lexus GX470
TKH-002	2003-2012	Acura MDX	TKT-001	1998-2007	Lexus LX470
TKH-002	2010-2012	Acura ZDX	TKT-001	2003-2009	Toyota 4Runner
TKH-002	2005-2012	Honda Odyssey	TKT-001	1998-2007	Toyota Land Cruiser
TKH-002	2005-2012	Honda Pilot	TKT-001	2001-2009	Toyota Sequoia
TKH-002	2006-2012	Honda Ridgeline	TKT-001	2000-2009	Toyota Tundra
TKH-002	2004-2007	Saturn Vue	TKT-002	1987-2001	Toyota Camry
TKH-003	2001-2005	Honda Civic	TKT-002	1987-1989	Toyota Celica
TKH-004	1986-1989	Honda Accord	TKT-002	1992-1999	Toyota Celica
TKH-004	1985-1987	Honda Prelude	TKT-002	1999-2001	Toyota Solara
TKH-005	1996-2000	Honda Civic	TKT-002	1996-2000	Toyota RAV4
TKH-005	1996-1997	Honda Civic del Sol	TKT-003	1987-2001	Toyota Camry
TKH-006	1997-1999	Acura CL	TKT-003	1987-1999	Toyota Celica
TKH-006	1994-2002	Honda Accord	TKT-003	1991-1995	Toyota MR2
TKH-006	1998	Honda Odyssey	TKT-003	1999-2001	Toyota Solara
TKH-007	1990-1997	Honda Accord	TKT-003	1996-2000	Toyota RAV4
TKH-007	1992-1996	Honda Prelude	TKT-004	1994-2001	Lexus ES300
TKH-007	1995-1997	Honda Odyssey	TKT-004	1995-2004	Toyota Avalon
TKH-011	1997-1999	Acura CL	TKT-004	1994-2001	Toyota Camry
TKH-011	1999	Acura TL	TKT-004	1999-2002	Toyota Solara
TKH-011	1998-2002	Honda Accord	TKT-004	1999-2003	Lexus RX300

Timing Belt Kits



# Buyer's Guide

## Timing Belt Kit

Timing Belt Kits

Part #	Year	Application	Part #	Year	Application
TKT-004	1998-2003	Toyota Sienna	TKT-018	1988-1992	Toyota Corolla
TKT-005	2000-2002	Toyota 4Runner	TKT-019	1993-1997	Geo Prizm
TKT-005	1995-1998	Toyota T100	TKT-019	1994-1997	Toyota Corolla
TKT-005	1995-2004	Toyota Tacoma	TKT-021	1998-2000	Lexus GS400
TKT-005	2000-2004	Toyota Tundra	TKT-021	2001-2007	Lexus GS430
TKT-006	2002-2003	Lexus ES300	TKT-021	1998-2000	Lexus LS400
TKT-006	2004-2006	Lexus ES330	TKT-021	2001-2006	Lexus LS430
TKT-006	2002-2006	Toyota Camry	TKT-021	1998-2000	Lexus SC400
TKT-006	2004-2008	Toyota Solara	TKT-021	2002-2009	Lexus SC430
TKT-006	2004-2006	Lexus RX330	TKT-021	2003-2009	Lexus GX470
TKT-006	2006-2008	Lexus RX400h	TKT-021	1998-2007	Lexus LX470
TKT-006	2001-2009	Toyota Highlander	TKT-021	2003-2009	Toyota 4Runner
TKT-006	2004-2006	Toyota Sienna	TKT-021	1998-2007	Toyota Land Cruiser
TKT-007	1996-2002	Toyota 4Runner	TKT-021	2001-2009	Toyota Sequoia
TKT-007	1995-1998	Toyota T100	TKT-021	2000-2009	Toyota Tundra
TKT-007	1995-2004	Toyota Tacoma	TKT-024	1994-2001	Lexus ES300
TKT-007	2000-2004	Toyota Tundra	TKT-024	1995-2004	Toyota Avalon
TKT-009	1993-1997	Lexus GS300	TKT-024	1994-2001	Toyota Camry
TKT-009	1992-1999	Lexus SC300	TKT-024	1999-2002	Toyota Solara
TKT-009	1993-1998	Toyota Supra	TKT-024	1999-2003	Lexus RX300
TKT-010	1990-1997	Lexus LS400	TKT-024	1998-2003	Toyota Sienna
TKT-010	1992-1997	Lexus SC400	TKT-025	1996-2002	Toyota 4Runner
TKT-011	1998-2005	Lexus GS300	TKT-025	1995-1998	Toyota T100
TKT-011	2001-2005	Lexus IS300	TKT-025	1995-2004	Toyota Tacoma
TKT-012	1990-1991	Lexus ES250	TKT-025	2000-2004	Toyota Tundra
TKT-012	1990-1991	Toyota Camry	TKT-026	2002-2003	Lexus ES300
TKT-013	1992-1993	Lexus ES300	TKT-026	2004-2006	Lexus ES330
TKT-013	1992-1993	Toyota Camry	TKT-026	2002-2006	Toyota Camry
TKT-014	1993-1995	Toyota 4Runner	TKT-026	2004-2008	Toyota Solara
TKT-014	1993-1995	Toyota Pickup	TKT-026	2004-2006	Lexus RX330
TKT-014	1993-1994	Toyota T100	TKT-026	2006-2008	Lexus RX400h
TKT-015	1990-1991	Toyota Celica	TKT-026	2001-2009	Toyota Highlander
TKT-015	1991-1995	Toyota MR2	TKT-026	2004-2006	Toyota Sienna
TKT-016	1988-1992	Toyota 4Runner	TKT-029	1993-1997	Lexus GS300
TKT-016	1989-1992	Toyota Pickup	TKT-029	1993-1999	Lexus SC300
TKT-017	1993-1997	Geo Prizm	TKT-029	1993-1998	Toyota Supra
TKT-017	1994-1997	Toyota Celica	TKT-030	1990-1997	Lexus LS400
TKT-017	1993-1997	Toyota Corolla	TKT-030	1992-1997	Lexus SC400
TKT-018	1990-1992	Geo Prizm	TKT-031	1998-2005	Lexus GS300
TKT-018	1990-1992	Toyota Celica	TKT-031	2001-2005	Lexus IS300

# Hydraulic Belt Tensioner



Engineered to exacting OE specifications, AISIN Hydraulic Belt Tensioners deliver ideal tension to the timing belt. Maintaining reliability by automatically adjusting belt tension, AISIN Hydraulic Timing Belt Tensioners are always OE Matched.

- Utilizes hydraulic pressure to deliver optimal belt tension., automatically adjusting throughout the RPM range.
- AISIN OE Engineering developed pressurizing mechanism efficiently dampens timing belt vibrations
- Manufactured with the highest quality materials to maximize durability.







# Hydraulic Tensioner Applications

Make/Model	Year	Engine	Attributes	Notes	Part #
<b>Acura</b>					
CL	2001-2003	3.2L V6 3210cc	J32A1		BTH-002
			J32A2		BTH-002
MDX	2001-2002	3.5L V6 3471cc	J35A3		BTH-002
	2003-2006	3.5L V6 3471cc	J35A5		BTH-001
	2007-2012	3.7L V6 3664cc	J37A1		BTH-001
RL	2005-2008	3.5L V6 3471cc	Base; J35A8		BTH-001
	2009-2012	3.7L V6 3664cc	J37A2		BTH-001
TL	2000-2003	3.2L V6 3210cc	J32A1		BTH-002
			J32A2		BTH-002
	2004-2008	3.2L V6 3210cc	J32A3		BTH-001
	2007-2012	3.5L V6 3471cc	J35A8 ; Type-S		BTH-001
			J35Z6		BTH-001
2009-2012	3.7L V6 3664cc	J37A4 ; SH-AWD		BTH-001	
TSX	2010-2012	3.5L V6 3471cc	J35Z6		BTH-001
ZDX	2010-2012	3.7L V6 3664cc	J37A5		BTH-001
<b>Chrysler</b>					
300M	2000-2002	3.5L V6 3497cc			BTC-001
Concorde	2000-2001	3.2L V6 3200cc	EGW ; VIN J		BTC-001
	1995-1997	3.5L V6 3497cc	VIN F		BTC-001
	2002	3.5L V6 3497cc	VIN M		BTC-001
VIN G				BTC-001	
LHS	1995-1997	3.5L V6 3497cc	VIN F		BTC-001
	2000-2001	3.5L V6 3497cc	VIN G		BTC-001
New Yorker	1995-1996	3.5L V6 3497cc	VIN F		BTC-001
Prowler	2001-2002	3.5L V6 3497cc	VIN G		BTC-001
Sebring	1995-1998	2.0L L4 1996cc	VIN Y		BTC-003
			ECF ; VIN Y		BTC-003
<b>Dodge</b>					
Avenger	1995-1999	2.0L L4 1996cc	VIN Y		BTC-003
			ECF ; VIN Y		BTC-003
Intrepid	2000-2001	3.2L V6 3200cc	EGW ; VIN J		BTC-001
	1995-1997	3.5L V6 3497cc	VIN F		BTC-001
	2000-2002	3.5L V6 3497cc	VIN V		BTC-001
			VIN G		BTC-001
VIN M				BTC-001	
Neon	1995-1996	2.0L L4 1996cc	ECB ; VIN C		BTC-003
	1995-2002	2.0L L4 1996cc	ECC ; VIN Y		BTC-003
Stratus	1995-1999	2.0L L4 1996cc	ECB ; VIN C		BTC-003
<b>Honda</b>					
Accord	2003-2007	3.0L V6 2977cc	J30A4		BTH-001
			J30A5		BTH-001
			JNA1 Hybrid		BTH-001
	2008-2012	3.5L V6 3471cc	J35Z2		BTH-001
J35Z3				BTH-001	
Accord Crosstour	2010-2011	3.5L V6 3471cc	J35Z2		BTH-001
Crosstour	2012	3.5L V6 3471cc	J35Z2		BTH-001



Make/Model	Year	Engine	Attributes	Notes	Part #
<b>Honda</b>					
Odyssey	1999-2004	3.5L V6 3474cc	J35A1		BTH-002
			J35A4		BTH-002
	2005-2012	3.5L V6 3471cc	J35A6		BTH-001
			J35A7		BTH-001
Pilot	2003-2004	3.5L V6 3475cc	J35A8		BTH-001
	2005-2012	3.5L V6 3471cc	J35A4		BTH-002
			J35A6		BTH-001
			J35A9		BTH-001
Ridgeline	2006-2012	3.5L V6 3471cc	J35Z1		BTH-001
			J35Z4		BTH-001
			J35Z5		BTH-001
<b>Lexus</b>					
ES250	1990-1991	2.5L V6 2508cc	2VZFE		BTT-001
ES300	1992-1993	3.0L V6 2959cc	3VZFE		BTT-001
<b>Mitsubishi</b>					
Eclipse	1996-1999	2.0L L4 1997cc	4G63		BTM-003
			4G63T; Turbocharged		BTM-003
	1996-2005	2.4L L4 2351cc	4G64	To 12/31/04	BTM-003
	2005	2.4L L4 2351cc	4G64	From 01/01/05	BTM-001
Galant	2006-2011	2.4L L4 2378cc	4G69		BTM-001
	1996-2003	2.4L L4 2351cc	4G64		BTM-003
	2004-2011	2.4L L4 2351cc	4G69		BTM-001
Lancer	2003-2006	2.0L L4 1997cc	4G63 ; Evolution; Turbocharged		BTM-001
	2003-2005	2.0L L4 2000cc	Evolution; FI; Turbocharged		BTM-001
Outlander	2004-2006	2.4L L4 2400cc			BTM-001
	2003	2.4L L4 2351cc	4G64		BTM-003
2004-2006	2.4L L4 2378cc	4G69		BTM-001	
<b>Plymouth</b>					
Breeze	1996-1999	2.0L L4 1996cc	ECB		BTC-003
Neon	1995-2001	2.0L L4 1996cc	ECB ; VIN C		BTC-003
			ECC ; VIN Y		BTC-003
Prowler	1997	3.5L V6 3497cc	VIN F		BTC-001
	1999-2001	3.5L V6 3497cc	VIN G		BTC-001
<b>Saturn</b>					
Vue	2004-2007	3.5L V6 3471cc			BTH-001
<b>Subaru</b>					
SVX	1992-1997	3.3L H6 3318cc		From 12/91	BTF-002
<b>Toyota</b>					
4Runner	1993-1995	3.0L V6 2959cc	3VZE		BTT-003
	1996-2002	3.4L V6 3378cc	5VZFE		BTT-002
Camry	1988-1991	2.5L V6 2508cc	2VZFE		BTT-001
	1992-1993	3.0L V6 2959cc	3VZFE		BTT-001
Pickup	1993-1995	3.0L V6 2959cc	3VZE		BTT-003
T100	1993-1994	3.0L V6 2959cc	3VZE		BTT-003
	1995-1998	3.4L V6 3378cc	5VZFE		BTT-002
Tacoma	1995-2004	3.4L V6 3378cc	5VZFE		BTT-002
Tundra	2000-2004	3.4L V6 3378cc	5VZFE		BTT-002



**Make/Model      Year      Engine      Attributes      Notes      Part #**

<b>Volvo</b>					
740	1989-1990	2.3L L4 2316cc	B230F ; GLE		BTV-003
			B230F ; GL		BTV-003
			B230FT		BTV-003
			B234F ; GLE		BTV-003
850	1994	2.3L L5 2319cc	B5234FT ; Turbo	Between engine serial numbers 131035 to 150000	BTV-004
			B5234FT ; Turbo	After engine serial number 150001	BTV-005
	1995-1997	2.3L L5 2319cc	B5234T ; Turbocharged	From Engine # 131155	BTV-005
			B5234T ; Turbocharged	To Engine # 131154	BTV-002
	1993-1995	2.4L L5 2435cc	B5254FS	To Engine # 131154	BTV-002
			B5254FS ; Naturally Aspirated	From Engine # 131155	BTV-005
	1997	2.4L L5 2435cc	B5254T ; GLT	From Engine # 131155	BTV-005
			B5254T ; Turbocharged	To Engine # 131154	BTV-002
940	1991	2.3L L4 2316cc	B230FT		BTV-003
			B234F		BTV-003
960	1992-1993	2.9L L6 2922cc	B6304F		BTV-002
	1993-1994	2.9L L6 2922cc	B6304F	From engine serial number 131035	BTV-004
	1995-1997	2.9L L6 2922cc	B6304S2		BTV-001
C70	1998-2004	2.3L L5 2319cc	B5234T9 ; Turbocharged	Thru engine serial number 1266127	BTV-005
	1998-1999	2.4L L5 2435cc	B5254T ; Turbocharged		BTV-005
	2002-2004	2.4L L5 2435cc	B5244T7 ; Turbocharged	Thru engine serial number 1266127	BTV-005
S40	2000-2004	1.9L L4 1948cc	B4204T		BTV-005
			B4204T3 ; Turbocharged		BTV-005
			B4204T4 ; Turbocharged		BTV-005
S70	1998-2000	2.3L L5 2319cc	B5234T3 ; Turbocharged		BTV-005
			B5254S ; Naturally Aspirated	To Chassis/VIN 1266127	BTV-005
	1998-2000	2.4L L5 2435cc	B5254T ; Turbocharged	Thru engine serial number 1266127	BTV-005
			B5244T ; Turbocharged		BTV-005
S80	1999	2.8L L6 2798cc	B6284T ; T6		BTV-006
		2.9L L6 2917cc	B6304S ; Naturally Aspirated		BTV-006
S90	1997-1998	2.9L L6 2917cc	B6304S2 ; Naturally Aspirated		BTV-001
V40	2000-2004	1.9L L4 1948cc	B4204T ; Turbocharged		BTV-005
V70	1998-2000	2.3L L5 2319cc	B5234T3 ; Turbocharged		BTV-005
			B5254S ; Naturally Aspirated		BTV-005
	1998-1999	2.4L L5 2435cc	B5254T ; Turbocharged		BTV-005
V90	1997-1998	2.9L L6 2917cc	B6304S2 ; Naturally Aspirated		BTV-001

**Hydraulic Tensioners**



# Hydraulic Tensioner Images



BTC-001



BTC-003



BTF-002



BTH-001



BTH-002



BTM-001







# Hydraulic Tensioner Images



BTM-003



BTT-001



BTT-002



BTT-003



BTV-001



BTV-002



Hydraulic Tensioners



# Hydraulic Tensioner Images



BTV-003



BTV-004



BTV-005



BTV-006



Hydraulic Tensioners



# Buyer's Guide

## Hydraulic Tensioner

Part #	Year	Application	Part #	Year	Application
BTC-001	2000-2002	Chrysler 300M	BTH-002	1999-2004	Honda Odyssey
BTC-001	1995-1997	Chrysler Concorde	BTH-002	2003-2004	Honda Pilot
BTC-001	2000-2002	Chrysler Concorde	BTM-001	2005-2011	Mitsubishi Eclipse
BTC-001	1995-1997	Chrysler LHS	BTM-001	2004-2011	Mitsubishi Galant
BTC-001	2000-2001	Chrysler LHS	BTM-001	2003-2006	Mitsubishi Lancer
BTC-001	1995-1996	Chrysler New Yorker	BTM-001	2004-2006	Mitsubishi Outlander
BTC-001	2001-2002	Chrysler Prowler	BTM-003	1996-2005	Mitsubishi Eclipse
BTC-001	1995-1997	Dodge Intrepid	BTM-003	1996-2003	Mitsubishi Galant
BTC-001	2000-2002	Dodge Intrepid	BTM-003	2003	Mitsubishi Outlander
BTC-001	1997	Plymouth Prowler	BTT-001	1990-1991	Lexus ES250
BTC-001	1999-2001	Plymouth Prowler	BTT-001	1992-1993	Lexus ES300
BTC-003	1995-1998	Chrysler Sebring	BTT-001	1988-1993	Toyota Camry
BTC-003	1995-1999	Dodge Avenger	BTT-002	1996-2002	Toyota 4Runner
BTC-003	1995-1999	Dodge Neon	BTT-002	1995-1998	Toyota T100
BTC-003	2001-2002	Dodge Neon	BTT-002	1995-2004	Toyota Tacoma
BTC-003	1995-1999	Dodge Stratus	BTT-002	2000-2004	Toyota Tundra
BTC-003	1996-1999	Plymouth Breeze	BTT-003	1993-1995	Toyota 4Runner
BTC-003	1995-1999	Plymouth Neon	BTT-003	1993-1995	Toyota Pickup
BTC-003	2001	Plymouth Neon	BTT-003	1993-1994	Toyota T100
BTF-002	1992-1997	Subaru SVX	BTV-001	1995-1997	Volvo 960
BTH-001	2005-2012	Acura RL	BTV-001	1997-1998	Volvo S90
BTH-001	2004-2012	Acura TL	BTV-001	1997-1998	Volvo V90
BTH-001	2010-2012	Acura TSX	BTV-002	1993-1997	Volvo 850
BTH-001	2003-2012	Honda Accord	BTV-002	1992-1993	Volvo 960
BTH-001	2010-2011	Honda Accord Crosstour	BTV-003	1989-1990	Volvo 740
BTH-001	2012	Honda Crosstour	BTV-003	1991	Volvo 940
BTH-001	2003-2012	Acura MDX	BTV-004	1994	Volvo 850
BTH-001	2010-2012	Acura ZDX	BTV-004	1993-1994	Volvo 960
BTH-001	2005-2012	Honda Odyssey	BTV-005	1993-1997	Volvo 850
BTH-001	2005-2012	Honda Pilot	BTV-005	1998-2004	Volvo C70
BTH-001	2006-2012	Honda Ridgeline	BTV-005	2000-2004	Volvo S40
BTH-001	2004-2007	Saturn Vue	BTV-005	1998-2000	Volvo S70
BTH-002	2001-2003	Acura CL	BTV-005	2000-2004	Volvo V40
BTH-002	2000-2003	Acura TL	BTV-005	1998-2000	Volvo V70
BTH-002	2001-2002	Acura MDX	BTV-006	1999	Volvo S80

Hydraulic Tensioners



# Fan Pulley Bracket



Engineered to exacting OE specifications, AISIN Fan Pulley Brackets are built with the highest quality materials and robust design. Maintaining structure and supporting the fan clutch, AISIN Fan Pulley Brackets are always OE Matched.

- Optimal geometrical design maintains structural integrity, ensuring fan clutch stability.
- Equipped with the highest quality bearings to support extreme fan clutch rotations.
- AISIN aluminum die-casting technology allows for size and weight reduction.







# Fan Pulley Bracket Applications

Make/Model	Year	Engine	Attributes	Notes	Part #
<b>Acura</b>					
SLX	1996-1997	3.2L V6 3165cc	6VD1		FBG-001
	1998-1999	3.5L V6 3494cc	6VE1		FBG-002
<b>Honda</b>					
Passport	1994-1997	3.2L V6 3165cc	6VD1		FBG-001
	1998-2002	3.2L V6 3165cc	6VD1		FBG-002
<b>Infiniti</b>					
QX56	2004-2009	5.6L V8 5552cc	VK56DE		FBN-800
<b>Isuzu</b>					
Amigo	1999-2000	3.2L V6 3165cc	6VD1		FBG-002
Axiom	2002-2003	3.5L V6 3475cc	6VE1		FBG-002
Rodeo	1994-1997	3.2L V6 3165cc	6VD1		FBG-001
	1999-2004	3.2L V6 3165cc	6VD1		FBG-002
	2004	3.5L V6 3494cc	6VE1		FBG-002
Rodeo Sport	2001-2003	3.2L V6 3165cc	6VD1		FBG-002
Trooper	1994-1997	3.2L V6 3165cc	6VD1		FBG-001
	1999-2002	3.5L V6 3475cc	6VE1		FBG-002
VehiCROSS	1999-2001	3.5L V6 3475cc	6VE1		FBG-002
<b>Lexus</b>					
GS430	2001-2007	4.3L V8 4293cc	3UZFE		FBT-011
GX470	2003-2009	4.7L V8 4663cc	2UZFE		FBT-002
LS400	1990-1997	4.0L V8 3969cc	1UZFE	To 07/97	FBT-001
	1997-2000	4.0L V8 3969cc	1UZFE	From 07/97	FBT-002
LS430	2001-2006	4.3L V8 4293cc	3UZFE		FBT-011
LX470	1998-2007	4.7L V8 4663cc	2UZFE		FBT-002
SC430	2002-2010	4.3L V8 4293cc	3UZFE		FBT-011
<b>Nissan</b>					
Armada	2005-2009	5.6L V8 5552cc	VK56DE		FBN-800
Pathfinder	2008-2009	5.6L V8 5552cc	VK56DE		FBN-800
Titan	2004-2009	5.6L V8 5552cc	VK56DE		FBN-800
<b>Toyota</b>					
4Runner	1988-1992	3.0L V6 2959cc	3VZE		FBT-006
	1993-1995	3.0L V6 2959cc	3VZE		FBT-007
	1998-2002	3.4L V6 3378cc	5VZFE		FBT-004
	2003-2009	4.7L V8 4663cc	2UZFE		FBT-002
Land Cruiser	1998-2007	4.7L V8 4663cc	2UZFE		FBT-002
Pickup	1988-1992	3.0L V6 2959cc	3VZE		FBT-006
	1993-1995	3.0L V6 2959cc	3VZE		FBT-007
Sequoia	2001-2009	4.7L V8 4663cc	2UZFE		FBT-002
	2008-2009	5.7L V8 5663cc	3URFBE		FBT-002
T-100	1993-1994	3.0L V6 2959cc	3VZE		FBT-007
	1995-1998	3.4L V6 3378cc	5VZFE		FBT-004
Tacoma	1995-2004	3.4L V6 3378cc	5VZFE		FBT-004
Tundra	2000-2004	3.4L V6 3378cc	5VZFE		FBT-004
	2000-2009	4.7L V8 4663cc	2UZFE		FBT-002

Fan Pulley Bracket



# Fan Pulley Bracket Images



FBG-001



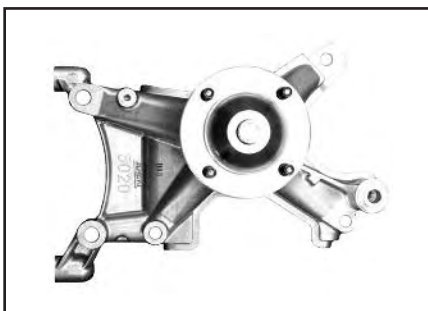
FBG-002



FBN-800



FBT-001



FBT-002



FBT-004



FBT-006



FBT-007



FBT-011



# Buyer's Guide

## Fan Pulley Bracket

Part #	Year	Application	Part #	Year	Application
FBG-001	1996-1997	Acura SLX	FBT-002	2003-2009	Lexus GX470
FBG-001	1994-1997	Honda Passport	FBT-002	1998-2007	Lexus LX470
FBG-001	1994-1997	Isuzu Rodeo	FBT-002	2003-2009	Toyota 4Runner
FBG-001	1994-1997	Isuzu Trooper	FBT-002	1998-2007	Toyota Land Cruiser
FBG-002	1998-1999	Acura SLX	FBT-002	1997-1996	Toyota Sequoia
FBG-002	1998-2002	Honda Passport	FBT-002	2000-2009	Toyota Tundra
FBG-002	1999-2000	Isuzu Amigo	FBT-004	1998-2002	Toyota 4Runner
FBG-002	2002-2003	Isuzu Axiom	FBT-004	1995-1998	Toyota T100
FBG-002	1999-2004	Isuzu Rodeo	FBT-004	1995-2004	Toyota Tacoma
FBG-002	2001-2003	Isuzu Rodeo Sport	FBT-004	2000-2004	Toyota Tundra
FBG-002	1999-2002	Isuzu Trooper	FBT-006	1988-1992	Toyota 4Runner
FBG-002	1999-2001	Isuzu VehiCROSS	FBT-006	1988-1992	Toyota Pickup
FBN-800	2004-2009	Infiniti QX56	FBT-007	1993-1995	Toyota 4Runner
FBN-800	2005-2009	Nissan Armada	FBT-007	1993-1995	Toyota Pickup
FBN-800	2008-2009	Nissan Pathfinder	FBT-007	1993-1994	Toyota T100
FBN-800	2004-2009	Nissan Titan	FBT-011	2001-2007	Lexus GS430
FBT-001	1990-1997	Lexus LS400	FBT-011	2001-2006	Lexus LS430
FBT-002	1997-2000	Lexus LS400	FBT-011	2002-2010	Lexus SC430

### Section Notes

---

---

---

---

---

---

---

---

---

---

---

---

---

---

---

---

---

---

---

---

---

---

---

---

---

Fan Pulley Bracket





# Fan Clutch



Engineered to exacting OE specifications, AISIN Fan Clutch quickly adjusts to temperature changes to provide efficient, controlled cooling. Providing optimal cooling performance without sacrificing engine efficiency, AISIN Fan Clutches are always OE Matched.

- Manufactured with the highest quality materials to withstand heat and vibration while adjusting coolant temperature for optimal engine efficiency.
- Delivers precise fan speeds in proportion to engine RPM, providing optimal cooling to exacting OE specifications.
- As a vital cooling component, the installer and user will have the peace of mind that the parts are manufactured by one of the leading Tier 1 suppliers in the world.





# Fan Clutch Applications

Make/Model	Year	Engine	Attributes	Notes	Part #
<b>Dodge</b>					
Conquest	1984-1986	2.6L L4 2555cc			FCM-002
Power Ram 50	1983-1986	2.6L L4 2555cc			FCM-002
Raider	1987-1989	2.6L L4 2555cc			FCM-002
<b>Honda</b>					
Passport	1994-1997	3.2L V6 3165cc	6VD1		FCG-004
<b>Infiniti</b>					
M30	1990-1992	3.0L V6 2960cc	VG30E		FCN-001
<b>Isuzu</b>					
Amigo	1989-1994	2.3L L4 2254cc			FCG-001
		2.6L L4 2559cc			FCG-001
Impulse	1988-1989	2.3L L4 2254cc			FCG-001
Pickup	1981-1982	1.8L L4 1817cc		w/ Air Conditioning	FCT-001
	1983-1987	1.9L L4 1949cc		w/o Air Conditioning	FCG-001
	1981-1987	2.2L L4 2238cc	DIESEL		FCG-019
	1986-1995	2.3L L4 2254cc		With Front Mount Fan	FCG-001
	1988-1992	2.6L L4 2559cc		With Front Mount Fan	FCG-001
Rodeo	1991-1993	2.6L L4 2559cc		With Front Mount Fan	FCG-001
Trooper	1986-1987	2.2L L4 2238cc	DIESEL		FCG-019
		2.3L L4 2254cc			FCG-001
	1988-1991	2.6L L4 2559cc			FCG-001
	1998-2002	3.5L V6 3475cc	6VE1		FCG-003
VehiCROSS	1999-2001	3.5L V6 3475cc	6VE1		FCG-003
<b>Lexus</b>					
GS300	1993-1997	3.0L L6 2997cc	2JZGE		FCT-006
GX470	2003-2005	4.7L V8 4663cc	2UZFE	To 11/04	FCT-018
	2005-2009	4.7L V8 4663cc	2UZFE	From 11/04	FCT-075
LS400	1990-2000	4.0L V8 3967cc	1UZFE		FCT-014
LX450	1996-1998	4.5L L6 4477cc	1FZFE	From 11/1995; To 01/1998	FCT-004
LX470	1998-2005	4.7L V8 4663cc	2UZFE	To 05/05	FCT-021
	2005-2007	4.7L V8 4663cc	2UZFE	From 05/05	FCT-075
SC300	1992-2000	3.0L L6 2997cc	2JZGE		FCT-023
<b>Mitsubishi</b>					
Mighty Max	1983-1989	2.6L L4 2555cc	4WD		FCM-002
Montero	1983-1989	2.6L L4 2555cc			FCM-002
Starion	1983-1989	2.6L L4 2555cc	Turbocharged		FCM-002
Van	1987-1990	2.4L L4 2351cc			FCM-001
<b>Nissan</b>					
200SX	1987-1988	3.0L V6 2960cc	VG30E		FCN-001
240Z	1971	2.4L L6 2393cc	L24		FCN-001
260Z	1974	2.6L L6 2565cc	L26		FCN-001
280Z	1975-1978	2.8L L6 2753cc	L28E		FCN-001
280ZX	1979-1983	2.8L L6 2753cc	L28E		FCN-001
			L28ET	Turbo	FCN-001



**Make/Model      Year      Engine      Attributes      Notes      Part #**

**Nissan**

300ZX	1984-1989	3.0L V6 2960cc	VG30T	Turbo	FCN-001
			VG30		FCN-001
Maxima	1981-1984	2.4L L6 2393cc	L24E		FCN-001
Pathfinder	1987-1989	3.0L V6 2960cc	VG30I		FCN-001

**Suzuki**

Samurai	1990-1995	1.3L L4 1298cc			FCS-002
Sidekick	1989-1991	1.6L L4 1590cc			FCS-002
	1996-1998	1.6L L4 1590cc			FCS-001
X-90	1996-1998	1.6L L4 1590cc			FCS-001

**Toyota**

4Runner	1984	2.4L L4 2366cc	22R; w/ Standard Trans.		FCT-001
			22R; w/ Automatic Trans.		FCT-003
			22R; 4WD		FCT-003
	1985-1995	2.4L L4 2366cc	22REC		FCT-003
			22RTEC	Turbo	FCT-003
	1996-2000	2.7L L4 2694cc	3RZFE		FCT-002
	2010	2.7L L4 2694cc	2TRFE		FCT-073
	1989-1993	3.0L V6 2959cc	3VZE		FCT-009
	1994-1995	3.0L V6 2959cc	3VZE		FCT-038
	1996-2002	3.4L V6 3378cc	5VZFE		FCT-013
	2003-2010	4.0L V6 3956cc	1GRFE		FCT-072
	2003-2005	4.7L V8 4663cc	2UZFE	To 11/04	FCT-018
2005-2009	4.7L V8 4663cc	2UZFE	From 11/04	FCT-075	
Celica	1976-1980	2.2L L4 2189cc	20R		FCT-001
	1981-1983	2.4L L4 2366cc	22R	Manual Transmission	FCT-001
	1983-1985	2.4L L4 2366cc	22REC	Manual Transmission	FCT-001
			22REC; GTS; w/ Automatic Trans.		FCT-003
			22REC; ST; w/ Automatic Trans.		FCT-003
	1979-1980	2.6L L6 2563cc	4ME; Supra		FCT-044
			5MGE; Supra		FCT-044
	1981-1986	2.8L L6 2754cc	5ME; Supra		FCT-044
		2.8L L6 2759cc	5ME; Supra		FCT-044
Corolla	1979	1.6L L4 1588cc	2TC		FCT-048
	1980-1982	1.8L L4 1770cc	3TC		FCT-048
	1983-1987	1.6L L4 1587cc	4AC		FCT-056
Corona	1976-1980	2.2L L4 2189cc	20R		FCT-001
	1981-1982	2.4L L4 2366cc	22R	Manual Transmission	FCT-001
Cressida	1980	2.6L L6 2563cc	4ME		FCT-044
	1981-1982	2.8L L6 2759cc	5ME		FCT-044
	1983-1988	2.8L L6 2754cc	5MGE		FCT-044
	1989-1992	3.0L L6 2954cc	7MGE		FCT-007
FJ Cruiser	2007-2009	4.0L V6 3956cc	1GRFE	From 01/2006; To 08/2009	FCT-072
Land Cruiser	1983-1985	3.4L L4 3431cc	3B; DIESEL	From 7/83; To 10/85	FCT-057
	1988-1989	4.0L L6 3956cc	3FE		FCT-017
	1990-1992	4.0L L6 3956cc	3FE	From 01/1990; To 08/1992	FCT-049
	1979-1990	4.2L L6 4227cc	2F	From 01/1979; To 01/1990	FCT-017
	1993-1998	4.5L L6 4477cc	1FZFE; w/ FZJ80 Body	From 08/1992; To 01/1998	FCT-004
	1998-2005	4.7L V8 4663cc	2UZFE	To 05/05	FCT-021
	2005-2007	4.7L V8 4663cc	2UZFE	From 06/2005; To 08/2007	FCT-075
	Pickup	1976-1979	2.2L L4 2189cc	20R	
1981-1995		2.4L L4 2366cc	22R	Automatic Transmission	FCT-003
1984-1992		2.4L L4 2366cc	22REC; w/ Standard Trans.		FCT-001
	22REC		Automatic Transmission	FCT-003	

Fan Clutch



Make/Model	Year	Engine	Attributes	Notes	Part #
<b>Toyota</b>					
Pickup	1985-1988	2.4L L4 2366cc	22RTEC; Turbocharged	Automatic Transmission	FCT-003
	1993-1995	2.4L L4 2366cc	22RE; w/ Standard Trans.		FCT-043
	1985	2.4L L4 2446cc	2LT; DIESEL; Turbocharged		FCT-025
			2L; DIESEL; Naturally Aspirated		FCT-025
	1988-1993	3.0L V6 2959cc	3VZE		FCT-009
1994-1995	3.0L V6 2959cc	3VZE		FCT-038	
Previa	1991-1995	2.4L L4 2438cc	2TZFE		FCT-022
Previa	1994-1997	2.4L L4 2438cc	2TZFZE		FCT-022
Sequoia	2001-2004	4.7L V8 4663cc	2UZFE		FCT-018
	2005-2009	4.7L V8 4663cc	2UZFE		FCT-075
Supra	1986-1992	3.0L L6 2954cc	7MGE		FCT-007
	1987	3.0L L6 2954cc	7MGTE	To 3/87; Turbo	FCT-060
	1988-1992	3.0L L6 2954cc	7MGTE; Turbocharged		FCT-050
	1993-1998	3.0L L6 2997cc	2JZGE		FCT-023
			2JZGTE; Twin Turbo		FCT-023
T100	1994-1998	2.7L L4 2694cc	3RZFE		FCT-002
	1993	3.0L V6 2959cc	3VZE		FCT-009
	1994	3.0L V6 2959cc	3VZE		FCT-038
	1995-1998	3.4L V6 3378cc	5VZFE		FCT-013
Tacoma	1995-2001	2.4L L4 2438cc	2RZFE		FCT-002
	2002-2004	2.4L L4 2438cc	2RZFE		FCT-073
	1995-2001	2.7L L4 2694cc	3RZFE		FCT-002
	2002-2004	2.7L L4 2694cc	3RZFE		FCT-073
	2006-2010	2.7L L4 2694cc	2TRFE		FCT-073
	1995-2004	3.4L V6 3378cc	5VZFE	w/o Tow Package	FCT-013
	2005-2010	4.0L V6 3956cc	1GRFE		FCT-072
Tundra	2000-2004	3.4L V6 3378cc	5VZFE		FCT-013
	2005-2010	4.0L V6 3956cc	1GRFE		FCT-072
	2000-2002	4.7L V8 4663cc	2UZFE		FCT-024
	2005-2009	4.7L V8 4663cc	2UZFE		FCT-075
Van	1984-1985	2.0L L4 1998cc	3YEC		FCT-019
	1985-1989	2.2L L4 2237cc	4YEC		FCT-037
<b>Volvo</b>					
240	1990-1993	2.3L L4 2316cc	B230F		FCV-001
242	1976-1984	2.1L L4 2127cc	B21F		FCV-001
			B21FT	Turbo	FCV-001
244	1976-1982	2.1L L4 2127cc	B21F		FCV-001
	1982-1985	2.1L L4 2127cc	B21FT	Turbo	FCV-001
	1984-1989	2.3L L4 2316cc	B23F		FCV-001
B230F				FCV-001	
245	1976-1985	2.1L L4 2127cc	B21F		FCV-001
			B21FT	Turbo	FCV-001
	1984-1989	2.3L L4 2316cc	B23F		FCV-001
			B230F		FCV-001
264	1980	2.1L L4 2127cc	B21F		FCV-001
740	1985-1992	2.3L L4 2316cc	B230FT	Turbo	FCV-002
			B230F		FCV-002
	1988-1991	2.3L L4 2316cc	B230FT	Turbo	FCV-001
			B234F		FCV-001
745	1985	2.3L L4 2316cc	B230FT	Turbo	FCV-001
			B230F		FCV-002
760	1984	2.3L L4 2316cc	B23FT	Turbo	FCV-001
			D24		FCV-001
		2.4L L6 2383cc	D24T	Turbo	FCV-001

Fan Clutch



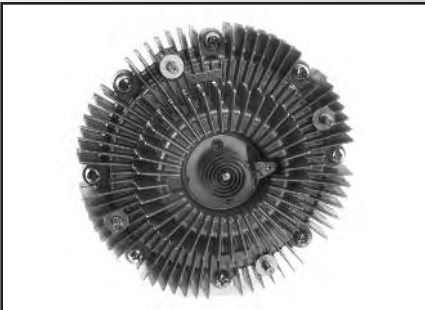




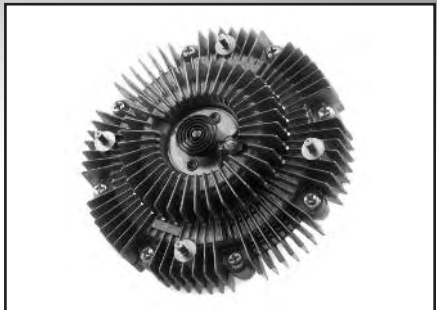
# Fan Clutch Images



FCG-001



FCG-003



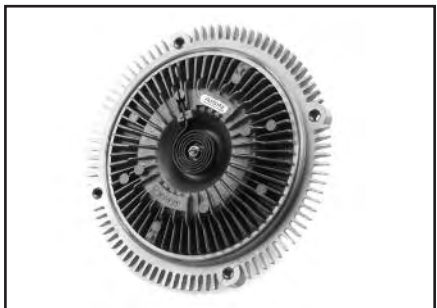
FCG-004



FCG-019



FCM-001



FCN-001





# Fan Clutch Images



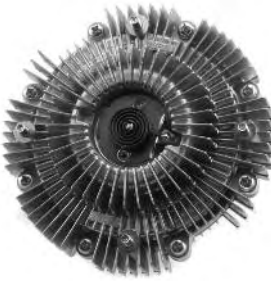
FCS-001



FCS-002



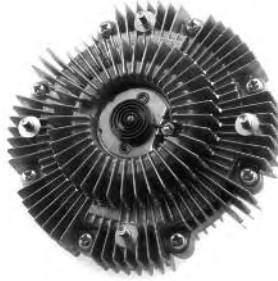
FCT-001



FCT-002



FCT-003



FCT-004





# Fan Clutch Images



FCT-006



FCT-007



FCT-009



FCT-013



FCT-014



FCT-017



Fan Clutch





# Fan Clutch Images



FCT-018



FCT-019



FCT-021



FCT-023



FCT-024



FCT-025







# Fan Clutch Images



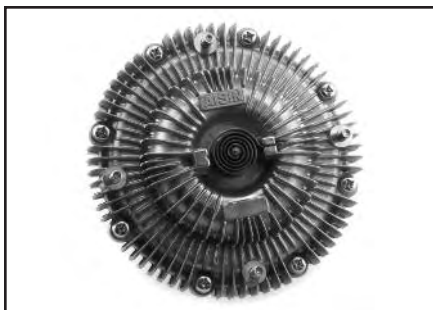
FCT-027



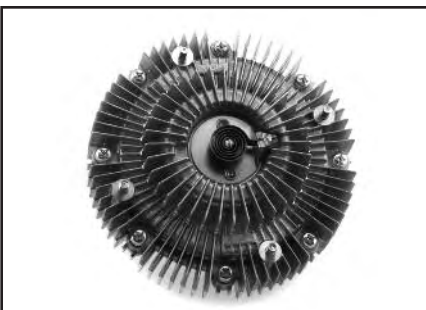
FCT-028



FCT-033



FCT-034



FCT-036



FCT-037



Fan Clutch



# Fan Clutch Images



FCT-038



FCT-043



FCT-044



FCT-048



FCT-049

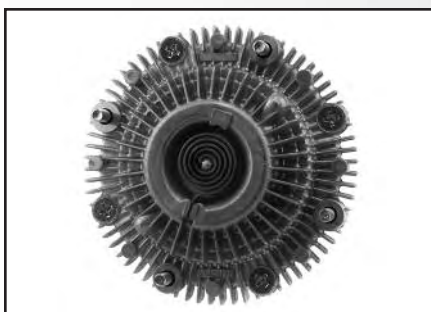


FCT-050

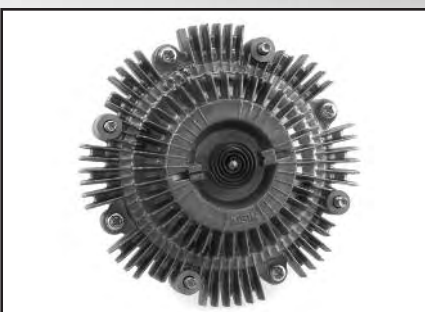




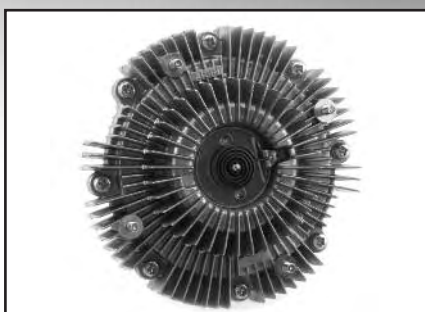
# Fan Clutch Images



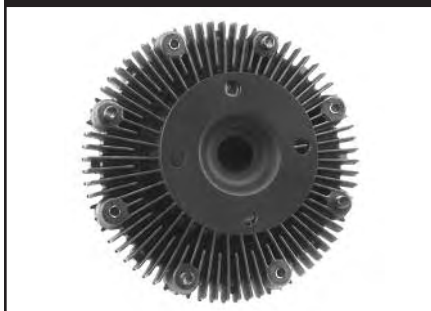
FCT-056



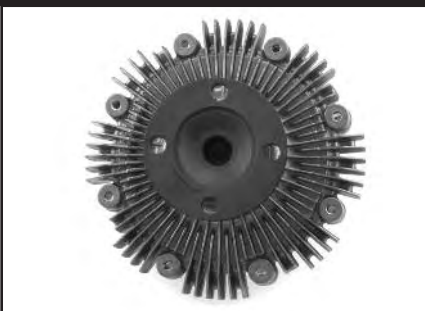
FCT-060



FCT-072



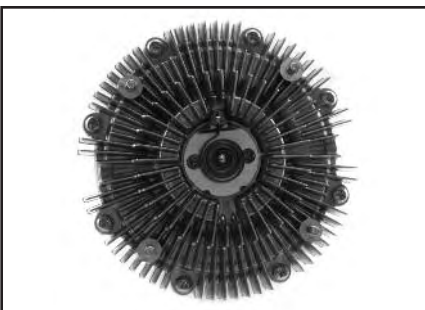
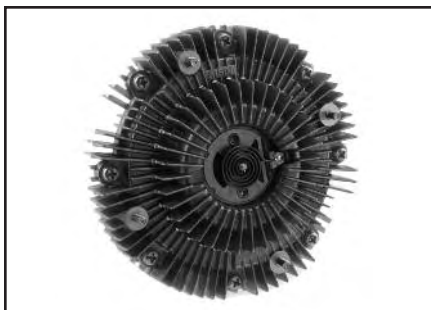
FCT-073



FCT-075



FCV-001



Fan Clutch







# Buyer's Guide

## Fan Clutch

Part #	Year	Application	Part #	Year	Application
FCG-001	1988-1989	Isuzu Impulse	FCT-009	1988-1993	Toyota Pickup
FCG-001	1989-1994	Isuzu Amigo	FCT-009	1993	Toyota T100
FCG-001	1983-1995	Isuzu Pickup	FCT-013	1996-2002	Toyota 4Runner
FCG-001	1991-1993	Isuzu Rodeo	FCT-013	1995-1998	Toyota T100
FCG-001	1986-1991	Isuzu Trooper	FCT-013	1995-2004	Toyota Tacoma
FCG-003	1998-2002	Isuzu Trooper	FCT-013	2000-2004	Toyota Tundra
FCG-003	1999-2001	Isuzu VehiCROSS	FCT-014	1990-2000	Lexus LS400
FCG-004	1994-1997	Honda Passport	FCT-017	1979-1990	Toyota Land Cruiser
FCG-019	1981-1987	Isuzu Pickup	FCT-018	2003-2005	Lexus GX470
FCG-019	1986-1987	Isuzu Trooper	FCT-018	2003-2005	Toyota 4Runner
FCM-001	1987-1990	Mitsubishi Van	FCT-018	2001-2004	Toyota Sequoia
FCM-002	1984-1986	Dodge Conquest	FCT-019	1984-1985	Toyota Van
FCM-002	1983-1989	Mitsubishi Starion	FCT-021	1998-2005	Lexus LX470
FCM-002	1983-1986	Dodge Power Ram 50	FCT-021	1998-2005	Toyota Land Cruiser
FCM-002	1987-1989	Dodge Raider	FCT-022	1991-1997	Toyota Previa
FCM-002	1983-1989	Mitsubishi Mighty Max	FCT-023	1992-2000	Lexus SC300
FCM-002	1983-1989	Mitsubishi Montero	FCT-023	1993-1998	Toyota Supra
FCN-001	1990-1992	Infiniti M30	FCT-024	2000-2002	Toyota Tundra
FCN-001	1987-1988	Nissan 200SX	FCT-025	1985	Toyota Pickup
FCN-001	1971	Nissan 240Z	FCT-037	1985-1989	Toyota Van
FCN-001	1974	Nissan 260Z	FCT-038	1994-1995	Toyota 4Runner
FCN-001	1975-1978	Nissan 280Z	FCT-038	1994-1995	Toyota Pickup
FCN-001	1979-1983	Nissan 280ZX	FCT-038	1994	Toyota T100
FCN-001	1984-1989	Nissan 300ZX	FCT-043	1993-1995	Toyota Pickup
FCN-001	1981-1984	Nissan Maxima	FCT-044	1979-1986	Toyota Celica
FCN-001	1987-1989	Nissan Pathfinder	FCT-044	1980-1988	Toyota Cressida
FCS-001	1996-1998	Suzuki Sidekick	FCT-048	1979-1982	Toyota Corolla
FCS-001	1996-1998	Suzuki X-90	FCT-049	1990-1992	Toyota Land Cruiser
FCS-002	1990-1995	Suzuki Samurai	FCT-050	1988-1992	Toyota Supra
FCS-002	1989-1991	Suzuki Sidekick	FCT-056	1983-1987	Toyota Corolla
FCT-001	1976-1985	Toyota Celica	FCT-057	1983-1985	Toyota Land Cruiser
FCT-001	1976-1982	Toyota Corona	FCT-060	1987	Toyota Supra
FCT-001	1981-1982	Isuzu Pickup	FCT-072	2003-2010	Toyota 4Runner
FCT-001	1984	Toyota 4Runner	FCT-072	2007-2009	Toyota FJ Cruiser
FCT-001	1976-1979	Toyota Pickup	FCT-072	2005-2010	Toyota Tacoma
FCT-001	1984-1992	Toyota Pickup	FCT-072	2005-2010	Toyota Tundra
FCT-002	1996-2000	Toyota 4Runner	FCT-073	2010	Toyota 4Runner
FCT-002	1994-1998	Toyota T100	FCT-073	2002-2004	Toyota Tacoma
FCT-002	1995-2001	Toyota Tacoma	FCT-073	2006-2010	Toyota Tacoma
FCT-003	1984-1985	Toyota Celica	FCT-075	1990-1991	Lexus LS400
FCT-003	1984-1995	Toyota 4Runner	FCT-075	2005-2009	Lexus GX470
FCT-003	1981-1995	Toyota Pickup	FCT-075	2005-2007	Lexus LX470
FCT-004	1996-1998	Lexus LX450	FCT-075	2005-2009	Toyota 4Runner
FCT-004	1993-1998	Toyota Land Cruiser	FCT-075	2005-2007	Toyota Land Cruiser
FCT-006	1993-1997	Lexus GS300	FCT-075	2005-2009	Toyota Sequoia
FCT-007	1989-1992	Toyota Cressida	FCT-075	2005-2009	Toyota Tundra
FCT-007	1986-1992	Toyota Supra	FCV-001	1990-1993	Volvo 240
FCT-009	1989-1993	Toyota 4Runner	FCV-001	1976-1984	Volvo 242







# Water Pump OEM Interchange

O.E. Part #	Manufacturer	AISIN Part #	O.E. Part #	Manufacturer	AISIN Part #
E9DZ-8501A	Ford	WPT-401	19200-PD6-660	Honda/Acura	WPH-012
F0DZ-8501A	Ford	WPT-401	19200-PE0-000	Honda/Acura	WPH-010
F3DZ-8501A	Ford	WPT-402	19200-PE0-010	Honda/Acura	WPH-010
F6DZ-8501B	Ford	WP-8950	19200-PE0-405	Honda/Acura	WPH-010
KOAA610002	Ford	WPT-401	19200-PE0-415	Honda/Acura	WPH-010
KOBA610100	Ford	WPT-402	19200-PE0-515	Honda/Acura	WPH-010
06194-RNA-305	Honda/Acura	WPH-802	19200-PE0-660	Honda/Acura	WPH-010
19110-671-325	Honda/Acura	WPH-025	19200-PE0-661	Honda/Acura	WPH-010
19110-671-335	Honda/Acura	WPH-025	19200-PG6-000	Honda/Acura	WPH-013
19110-671-405	Honda/Acura	WPH-025	19200-PG6-405	Honda/Acura	WPH-013
19110-689-325	Honda/Acura	WPH-025	19200-PG6-415	Honda/Acura	WPH-013
19110-689-335	Honda/Acura	WPH-025	19200-PH1-000	Honda/Acura	WPH-003
19110-689-405	Honda/Acura	WPH-025	19200-PH1-010	Honda/Acura	WPH-003
19200-671-010	Honda/Acura	WPH-025	19200-PH1-505	Honda/Acura	WPH-003
19200-671-020	Honda/Acura	WPH-025	19200-PH3-000	Honda/Acura	WPH-023
19200-689-010	Honda/Acura	WPH-025	19200-PH3-003	Honda/Acura	WPH-023
19200-689-020	Honda/Acura	WPH-025	19200-PH3-010	Honda/Acura	WPH-023
19200-P01-003	Honda/Acura	WPH-002	19200-PH3-505	Honda/Acura	WPH-023
19200-P01-004	Honda/Acura	WPH-002	19200-PH7-003	Honda/Acura	WPH-008
19200-P08-003	Honda/Acura	WPH-006	19200-PK2-000	Honda/Acura	WPH-016
19200-P08-004	Honda/Acura	WPH-006	19200-PK2-010	Honda/Acura	WPH-016
19200-P08-A01	Honda/Acura	WPH-006	19200-PK2-505	Honda/Acura	WPH-016
19200-P0A-003	Honda/Acura	WPH-001	19200-PLM-A01	Honda/Acura	WPH-044
19200-P0A-032	Honda/Acura	WPH-001	19200-PM3-000	Honda/Acura	WPH-002
19200-P0B-A01	Honda/Acura	WPH-001	19200-PM3-003	Honda/Acura	WPH-002
19200-P0G-A01	Honda/Acura	WPH-008	19200-PM3-004	Honda/Acura	WPH-002
19200-P10-A02	Honda/Acura	WPH-002	19200-PM3-013	Honda/Acura	WPH-002
19200-P1G-E02	Honda/Acura	WPH-006	19200-PM3-014	Honda/Acura	WPH-002
19200-P1R-003	Honda/Acura	WPH-004	19200-PR3-003	Honda/Acura	WPH-034
19200-P2A-003	Honda/Acura	WPH-011	19200-PR4-003	Honda/Acura	WPH-005
19200-P2A-004	Honda/Acura	WPH-011	19200-PR4-013	Honda/Acura	WPH-005
19200-P2A-A01	Honda/Acura	WPH-011	19200-PT0-003	Honda/Acura	WPH-001
19200-P2A-A02	Honda/Acura	WPH-011	19200-PT0-004	Honda/Acura	WPH-001
19200-P30-003	Honda/Acura	WPH-034	19200-PT0-013	Honda/Acura	WPH-001
19200-P5A-004	Honda/Acura	WPH-042	19200-PV0-003	Honda/Acura	WPH-004
19200-P5G-004	Honda/Acura	WPH-040	19200-PV1-A01	Honda/Acura	WPH-004
19200-P8A-A01	Honda/Acura	WPH-800	19200-PV3-003	Honda/Acura	WPH-004
19200-P8A-A02	Honda/Acura	WPH-800	19200-PY3-000	Honda/Acura	WPH-007
19200-P8A-A03	Honda/Acura	WPH-800	19200-PY3-010	Honda/Acura	WPH-007
19200-P8F-A01	Honda/Acura	WPH-800	19200-PY3-A00	Honda/Acura	WPH-036
19200-PC6-000	Honda/Acura	WPH-012	19200-R70-A11	Honda/Acura	WPH-801
19200-PC6-010	Honda/Acura	WPH-012	19200-RAA-A01	Honda/Acura	WPH-054
19200-PD2-000	Honda/Acura	WPH-012	19200-RAD-003	Honda/Acura	WPH-054
19200-PD2-405	Honda/Acura	WPH-012	19200-RBB-013	Honda/Acura	WPH-054
19200-PD2-415	Honda/Acura	WPH-012	19200-RCA-A01	Honda/Acura	WPH-801
19200-PD2-660	Honda/Acura	WPH-012	19200-RDM-A01	Honda/Acura	WPH-801
19200-PD6-000	Honda/Acura	WPH-012	19200-RDM-A02	Honda/Acura	WPH-801
19200-PD6-405	Honda/Acura	WPH-012	19200-RDV-J01	Honda/Acura	WPH-801
19200-PD6-415	Honda/Acura	WPH-012	19200-RFE-003	Honda/Acura	WPH-054



# Water Pump OEM Interchange

**O.E. Part #      Manufacturer      AISIN Part #**

19200-RNA-A01	Honda/Acura	WPH-802
19200-RNA-A02	Honda/Acura	WPH-802
19210-P0B-A01	Honda/Acura	WPH-001
19210-PD2-505	Honda/Acura	WPH-012
19210-PD2-515	Honda/Acura	WPH-012
19210-PD6-305	Honda/Acura	WPH-012
19210-PD6-505	Honda/Acura	WPH-012
19210-PD6-515	Honda/Acura	WPH-012
19210-PG6-305	Honda/Acura	WPH-013
19210-PH1-305	Honda/Acura	WPH-003
19210-PH1-505	Honda/Acura	WPH-003
19210-PH1-515	Honda/Acura	WPH-003
19210-PH3-305	Honda/Acura	WPH-023
19210-PK2-305	Honda/Acura	WPH-016
5-86003-637-0	Honda/Isuzu	WPH-002
5-86003-638-0	Honda/Isuzu	WPH-002
5-86003-639-0	Honda/Isuzu	WPH-006
5-86003-640-0	Honda/Isuzu	WPH-006
5-86003-904-0	Honda/Isuzu	WPH-011
5-86003-905-0	Honda/Isuzu	WPH-011
5-86008-905-0	Honda/Isuzu	WPH-011
5-86127-057-0	Honda/Isuzu	WPN-070
5-13610-124-0	Isuzu	WPG-004
5-13610-124-1	Isuzu	WPG-004
5-13610-174-0	Isuzu	WPG-004
5-13610-174-1	Isuzu	WPG-004
8-94109-591-0	Isuzu	WPG-020
8-94117-501-1	Isuzu	WPG-014
8-94118-353-0	Isuzu	WPG-014
8-94118-501-0	Isuzu	WPG-014
8-94118-501-1	Isuzu	WPG-014
8-94120-768-0	Isuzu	WPG-004
8-94120-768-1	Isuzu	WPG-004
8-94239-649-0	Isuzu	WPG-004
8-94251-251-0	Isuzu	WPG-004
8-94257-737-1	Isuzu	WPG-020
8-94329-649-0	Isuzu	WPG-004
8-94329-650-0	Isuzu	WPG-004
8-94376-837-0	Isuzu	WPG-004
8-94376-859-0	Isuzu	WPG-004
8-94376-859-1	Isuzu	WPG-004
8-94376-866-0	Isuzu	WPG-020
8-97010-201-0	Isuzu	WPG-014
8-97149-237-0	Isuzu	WPG-028
8-97314-118-0	Isuzu	WPG-028
8-97363-478-0	Isuzu	WPG-027
97149237	Isuzu	WPG-028
97314118	Isuzu	WPG-028
97363478	Isuzu	WPG-027

**O.E. Part #      Manufacturer      AISIN Part #**

FS01-15010F	Mazda	WPZ-021
0FE1H-15-010H	Mazda	WPZ-002
0K930-15-010A	Mazda	WPZ-001
8AB1-15-010	Mazda	WPZ-006
8AB2-15-010	Mazda	WPZ-006
8AB3-15-010	Mazda	WPZ-001
8AB3-15-010B	Mazda	WPZ-001
8AB4-15-010	Mazda	WPZ-001
8AB4-15-010A	Mazda	WPZ-001
8AB5-15-010	Mazda	WPZ-003
8AB5-15-010A	Mazda	WPZ-003
8AB7-15-010	Mazda	WPZ-001
8AB8-15-010	Mazda	WPZ-003
8ABS-15-010	Mazda	WPZ-003
8ABT-15-010A	Mazda	WPZ-006
8AD1-15-010	Mazda	WPZ-001
8AD2-15-010	Mazda	WPZ-001
8AD2-15-010A	Mazda	WPZ-001
8AE2-15-010	Mazda	WPZ-024
8AG1-15-010	Mazda	WPZ-012
8AG1-15-010A	Mazda	WPZ-012
8AG1-15-010B	Mazda	WPZ-012
8AG1-15-010F	Mazda	WPZ-012
8AG7-15-010	Mazda	WPZ-012
8AG9-15-010	Mazda	WPZ-021
8AH2-15-010	Mazda	WPZ-002
8AH2-15-010A	Mazda	WPZ-002
8AH2-15-010B	Mazda	WPZ-002
8AH4-15-010	Mazda	WPZ-002
8AK1-15-010	Mazda	WPZ-002
8AK1-15-010A	Mazda	WPZ-002
8AK2-15-010	Mazda	WPZ-024
8AK3-15-010	Mazda	WPZ-022
8AK3-15-010A	Mazda	WPZ-022
8AK3-15-010B	Mazda	WPZ-022
8AS6-15-010	Mazda	WPZ-002
8AS6-15-010A	Mazda	WPZ-002
B301-15-010	Mazda	WPZ-001
B33G-15-010	Mazda	WPZ-001
B3C7-15-010	Mazda	WPZ-001
B3C7-15-010A	Mazda	WPZ-001
B3C7-15-010B	Mazda	WPZ-001
B630-15-010	Mazda	WPZ-001
B630-15-010A	Mazda	WPZ-001
B630-15-010D	Mazda	WPZ-001
B630-15-010RMD	Mazda	WPZ-001
B660-15-010B	Mazda	WPZ-003
B660-15-010C	Mazda	WPZ-003
B660-15-010E	Mazda	WPZ-003



# Water Pump OEM Interchange

O.E. Part #	Manufacturer	AISIN Part #	O.E. Part #	Manufacturer	AISIN Part #
B660-15-010RME	Mazda	WPZ-003	2510033130	Mitsubishi	WPM-012
E301-15-010A	Mazda	WPZ-006	2510033132	Mitsubishi	WPM-012
E301-15-010B	Mazda	WPZ-006	1300 A012	Mitsubishi	WPM-035
E301-15-010C	Mazda	WPZ-006	1300A012	Mitsubishi	WPM-035
E301-15-010D	Mazda	WPZ-006	25100-21000	Mitsubishi	WPM-001
E301-15-010F	Mazda	WPZ-006	25100-21010	Mitsubishi	WPM-001
E302-15-010A	Mazda	WPZ-006	25100-22010	Mitsubishi	WPM-001
E5B6-15-010	Mazda	WPZ-006	25100-22012	Mitsubishi	WPM-001
E5B6-15-010A	Mazda	WPZ-006	25100-22650	Mitsubishi	WPM-001
E5B6-15-010B	Mazda	WPZ-006	25100-24030	Mitsubishi	WPM-001
E92Z-8501A	Mazda	WPZ-002	25100-24040	Mitsubishi	WPM-001
F02Z-8501A	Mazda	WPZ-002	25100-24060	Mitsubishi	WPM-001
F32Z-8501B	Mazda	WPZ-021	25100-32500	Mitsubishi	WPM-010
F801-15-010D	Mazda	WPZ-012	25100-32501	Mitsubishi	WPM-010
F801-15-010E	Mazda	WPZ-012	25100-32502	Mitsubishi	WPM-010
FE1H-15-010E	Mazda	WPZ-002	25100-32510	Mitsubishi	WPM-010
FE79-15-010	Mazda	WPZ-012	25100-32515	Mitsubishi	WPM-010
FE79-15-010B	Mazda	WPZ-012	25100-33111	Mitsubishi	WPM-012
FE79-15-010C	Mazda	WPZ-012	25100-33112	Mitsubishi	WPM-012
FE79-15-010D	Mazda	WPZ-012	25100-33120	Mitsubishi	WPM-012
FE79-15-010E	Mazda	WPZ-012	25100-33122	Mitsubishi	WPM-012
FE79-15-010F	Mazda	WPZ-012	25100-33130	Mitsubishi	WPM-012
FE79-15-010G	Mazda	WPZ-012	25100-33132	Mitsubishi	WPM-012
FE79-15-010H	Mazda	WPZ-012	25100-35010	Mitsubishi	WPM-014
FE79-15-010J	Mazda	WPZ-012	25100-35020	Mitsubishi	WPM-014
FE79-15-010RMJ	Mazda	WPZ-012	25100-35030	Mitsubishi	WPM-014
FEMJ-15-100RMO	Mazda	WPZ-002	25100-35040	Mitsubishi	WPM-014
FS01-15-010F	Mazda	WPZ-021	25100-35050	Mitsubishi	WPM-014
KJ01-15-010H	Mazda	WPZ-022	D300799	Mitsubishi	WPM-045
KL47-15-010C	Mazda	WPZ-024	D972001	Mitsubishi	WPM-002
LF94-15-100A	Mazda	WPZ-043	D972003	Mitsubishi	WPM-014
MQ906188	Mazda	WPZ-002	D972004	Mitsubishi	WPM-013
510022000	Mitsubishi	WPM-001	D972005	Mitsubishi	WPM-030
510022010	Mitsubishi	WPM-001	D972050	Mitsubishi	WPM-048
510022012	Mitsubishi	WPM-001	D972051	Mitsubishi	WPM-058
510024030	Mitsubishi	WPM-001	D972052	Mitsubishi	WPM-012
510024040	Mitsubishi	WPM-001	D972053	Mitsubishi	WPM-056
510024060	Mitsubishi	WPM-001	D974649	Mitsubishi	WPM-001
2510021000	Mitsubishi	WPM-001	D977249	Mitsubishi	WPM-059
2510022000	Mitsubishi	WPM-001	D977705	Mitsubishi	WPM-059
2510022010	Mitsubishi	WPM-001	D980000	Mitsubishi	WPM-014
2510022012	Mitsubishi	WPM-001	D997078	Mitsubishi	WPM-009
2510022650	Mitsubishi	WPM-001	D997079	Mitsubishi	WPM-004
2510024000	Mitsubishi	WPM-001	D997081	Mitsubishi	WPM-010
2510024030	Mitsubishi	WPM-001	D997084	Mitsubishi	WPM-002
2510024040	Mitsubishi	WPM-001	D997150	Mitsubishi	WPM-002
2510024060	Mitsubishi	WPM-001	D997485	Mitsubishi	WPM-009
2510033111	Mitsubishi	WPM-012	D997609	Mitsubishi	WPM-001
2510033112	Mitsubishi	WPM-012	D997611	Mitsubishi	WPM-009



# Water Pump OEM Interchange

O.E. Part #	Manufacturer	AISIN Part #	O.E. Part #	Manufacturer	AISIN Part #
-------------	--------------	--------------	-------------	--------------	--------------

D997612	Mitsubishi	WPM-004
D997614	Mitsubishi	WPM-010
D997615	Mitsubishi	WPM-004
D997618	Mitsubishi	WPM-002
D997619	Mitsubishi	WPM-009
D997621	Mitsubishi	WPM-012
D997622	Mitsubishi	WPM-056
D997623	Mitsubishi	WPM-019
D997634	Mitsubishi	WPM-013
MD009000	Mitsubishi	WPM-006
MD009019	Mitsubishi	WPM-006
MD011757	Mitsubishi	WPM-010
MD030863	Mitsubishi	WPM-001
MD034152	Mitsubishi	WPM-009
MD041041	Mitsubishi	WPM-004
MD050450	Mitsubishi	WPM-002
MD168048	Mitsubishi	WPM-002
MD168050	Mitsubishi	WPM-002
MD179030	Mitsubishi	WPM-003
MD300799	Mitsubishi	WPM-045
MD301847	Mitsubishi	WPM-002
MD306414	Mitsubishi	WPM-045
MD309756	Mitsubishi	WPM-033
MD323372	Mitsubishi	WPM-055
MD346790	Mitsubishi	WPM-033
MD365087	Mitsubishi	WPM-055
MD370803	Mitsubishi	WPM-055
MD971538	Mitsubishi	WPM-048
MD971582	Mitsubishi	WPM-058
MD972001	Mitsubishi	WPM-002
MD972003	Mitsubishi	WPM-014
MD972004	Mitsubishi	WPM-013
MD972005	Mitsubishi	WPM-030
MD972050	Mitsubishi	WPM-048
MD972051	Mitsubishi	WPM-058
MD972052	Mitsubishi	WPM-012
MD972053	Mitsubishi	WPM-056
MD972440	Mitsubishi	WPM-031
MD972456	Mitsubishi	WPM-003
MD972934	Mitsubishi	WPM-038
MD973025	Mitsubishi	WPM-059
MD973162	Mitsubishi	WPM-035
MD974649	Mitsubishi	WPM-001
MD974719	Mitsubishi	WPM-009
MD974899	Mitsubishi	WPM-057
MD976464	Mitsubishi	WPM-057
MD976943	Mitsubishi	WPM-057
MD977249	Mitsubishi	WPM-059
MD977503	Mitsubishi	WPM-069

MD977705	Mitsubishi	WPM-059
MD978741	Mitsubishi	WPM-035
MD978743	Mitsubishi	WPM-059
MD978764	Mitsubishi	WPM-059
MD979169	Mitsubishi	WPM-035
MD979171	Mitsubishi	WPM-069
MD980000	Mitsubishi	WPM-014
MD997076	Mitsubishi	WPM-001
MD997077	Mitsubishi	WPM-006
MD997078	Mitsubishi	WPM-009
MD997079	Mitsubishi	WPM-004
MD997081	Mitsubishi	WPM-010
MD997084	Mitsubishi	WPM-002
MD997150	Mitsubishi	WPM-002
MD997151	Mitsubishi	WPM-002
MD997158	Mitsubishi	WPM-022
MD997170	Mitsubishi	WPM-002
MD997244	Mitsubishi	WPM-014
MD997403	Mitsubishi	WPM-021
MD997404	Mitsubishi	WPM-019
MD997417	Mitsubishi	WPM-012
MD997421	Mitsubishi	WPM-009
MD997430	Mitsubishi	WPM-056
MD997485	Mitsubishi	WPM-009
MD997515	Mitsubishi	WPM-013
MD997609	Mitsubishi	WPM-001
MD997610	Mitsubishi	WPM-006
MD997611	Mitsubishi	WPM-009
MD997612	Mitsubishi	WPM-004
MD997614	Mitsubishi	WPM-010
MD997615	Mitsubishi	WPM-004
MD997618	Mitsubishi	WPM-002
MD997619	Mitsubishi	WPM-009
MD997621	Mitsubishi	WPM-012
MD997622	Mitsubishi	WPM-056
MD997623	Mitsubishi	WPM-019
MD997634	Mitsubishi	WPM-013
MD997643	Mitsubishi	WPM-030
MD997699	Mitsubishi	WPM-009
1N03-15-010	Nissan/Infiniti	WPN-001
1N06-15-010	Nissan/Infiniti	WPN-001
1N10-15-010	Nissan/Infiniti	WPN-014
1N11-15-010	Nissan/Infiniti	WPN-014
1N20-15-010	Nissan/Infiniti	WPN-014
21010-01M00	Nissan/Infiniti	WPN-003
21010-01M01	Nissan/Infiniti	WPN-003
21010-01M25	Nissan/Infiniti	WPN-003
21010-02P03	Nissan/Infiniti	WPN-019
21010-02P04	Nissan/Infiniti	WPN-019





# Water Pump OEM Interchange

O.E. Part #	Manufacturer	AISIN Part #	O.E. Part #	Manufacturer	AISIN Part #
21010-02P25	Nissan/Infiniti	WPN-019	21010-18001	Nissan/Infiniti	WPN-021
21010-02P26	Nissan/Infiniti	WPN-019	21010-18002	Nissan/Infiniti	WPN-021
21010-02P27	Nissan/Infiniti	WPN-019	21010-18003	Nissan/Infiniti	WPN-021
21010-02P28	Nissan/Infiniti	WPN-019	21010-18025	Nissan/Infiniti	WPN-021
21010-02P29	Nissan/Infiniti	WPN-019	21010-18026	Nissan/Infiniti	WPN-021
21010-02P85	Nissan/Infiniti	WPN-019	21010-18027	Nissan/Infiniti	WPN-021
21010-06E25	Nissan/Infiniti	WPN-020	21010-1E400	Nissan/Infiniti	WPN-060
21010-06E26	Nissan/Infiniti	WPN-020	21010-1E401	Nissan/Infiniti	WPN-060
21010-06EY6	Nissan/Infiniti	WPN-020	21010-1E402	Nissan/Infiniti	WPN-060
21010-0M300	Nissan/Infiniti	WPN-001	21010-1E403	Nissan/Infiniti	WPN-060
21010-0M301	Nissan/Infiniti	WPN-001	21010-1E425	Nissan/Infiniti	WPN-060
21010-0M302	Nissan/Infiniti	WPN-001	21010-1E4Y0	Nissan/Infiniti	WPN-060
21010-0P503	Nissan/Infiniti	WPN-055	21010-1P100	Nissan/Infiniti	WPN-089
21010-0P525	Nissan/Infiniti	WPN-055	21010-1P101	Nissan/Infiniti	WPN-089
21010-0P526	Nissan/Infiniti	WPN-055	21010-1P127	Nissan/Infiniti	WPN-089
21010-0P527	Nissan/Infiniti	WPN-055	21010-1P128	Nissan/Infiniti	WPN-089
21010-0P528	Nissan/Infiniti	WPN-055	21010-21000	Nissan/Infiniti	WPN-032
21010-0P529	Nissan/Infiniti	WPN-055	21010-21001	Nissan/Infiniti	WPN-032
21010-0W025	Nissan/Infiniti	WPN-085	21010-21002	Nissan/Infiniti	WPN-032
21010-0W026	Nissan/Infiniti	WPN-085	21010-21025	Nissan/Infiniti	WPN-032
21010-0W027	Nissan/Infiniti	WPN-085	21010-21026	Nissan/Infiniti	WPN-032
210100W028	Nissan/Infiniti	WPN-085	21010-21027	Nissan/Infiniti	WPN-032
21010-0W028	Nissan/Infiniti	WPN-085	21010-21028	Nissan/Infiniti	WPN-032
21010-12G25	Nissan/Infiniti	WPN-004	21010-21029	Nissan/Infiniti	WPN-032
21010-12G26	Nissan/Infiniti	WPN-004	21010-21085	Nissan/Infiniti	WPN-032
21010-12G27	Nissan/Infiniti	WPN-004	21010-21088	Nissan/Infiniti	WPN-032
21010-12G28	Nissan/Infiniti	WPN-004	21010-21089	Nissan/Infiniti	WPN-032
21010-13200	Nissan/Infiniti	WPN-036	21010-22P00	Nissan/Infiniti	WPN-016
21010-13201	Nissan/Infiniti	WPN-036	21010-22P25	Nissan/Infiniti	WPN-016
21010-13202	Nissan/Infiniti	WPN-036	21010-22P26	Nissan/Infiniti	WPN-016
21010-13225	Nissan/Infiniti	WPN-036	21010-22P27	Nissan/Infiniti	WPN-016
21010-13226	Nissan/Infiniti	WPN-036	21010-26E01	Nissan/Infiniti	WPN-011
21010-16A25	Nissan/Infiniti	WPN-037	21010-26E02	Nissan/Infiniti	WPN-011
21010-16A26	Nissan/Infiniti	WPN-037	21010-26E25	Nissan/Infiniti	WPN-011
21010-16A85	Nissan/Infiniti	WPN-037	21010-26G25	Nissan/Infiniti	WPN-013
21010-16AY5	Nissan/Infiniti	WPN-037	21010-26G26	Nissan/Infiniti	WPN-013
21010-16E01	Nissan/Infiniti	WPN-011	21010-26G27	Nissan/Infiniti	WPN-013
21010-16E02	Nissan/Infiniti	WPN-011	21010-30R00	Nissan/Infiniti	WPN-067
21010-16E03	Nissan/Infiniti	WPN-011	21010-30R05	Nissan/Infiniti	WPN-067
21010-16E25	Nissan/Infiniti	WPN-011	21010-30R06	Nissan/Infiniti	WPN-067
21010-16E26	Nissan/Infiniti	WPN-011	21010-31U00	Nissan/Infiniti	WPN-070
21010-17C25	Nissan/Infiniti	WPN-064	21010-31U25	Nissan/Infiniti	WPN-070
21010-17C26	Nissan/Infiniti	WPN-064	21010-31U26	Nissan/Infiniti	WPN-070
21010-17C27	Nissan/Infiniti	WPN-064	21010-31U27	Nissan/Infiniti	WPN-070
21010-17S25	Nissan/Infiniti	WPN-079	21010-31U28	Nissan/Infiniti	WPN-070
21010-17S26	Nissan/Infiniti	WPN-079	21010-31U29	Nissan/Infiniti	WPN-070
21010-17S27	Nissan/Infiniti	WPN-079	21010-31U85	Nissan/Infiniti	WPN-070
21010-17SY7	Nissan/Infiniti	WPN-079	21010-40F25	Nissan/Infiniti	WPN-059
21010-18000	Nissan/Infiniti	WPN-021	21010-40F26	Nissan/Infiniti	WPN-059



# Water Pump OEM Interchange

O.E. Part #	Manufacturer	AISIN Part #	O.E. Part #	Manufacturer	AISIN Part #
-------------	--------------	--------------	-------------	--------------	--------------

21010-40F27	Nissan/Infiniti	WPN-059
21010-4S105	Nissan/Infiniti	WPN-706
21010-50A00	Nissan/Infiniti	WPN-003
21010-50A25	Nissan/Infiniti	WPN-003
21010-50A26	Nissan/Infiniti	WPN-003
21010-50A27	Nissan/Infiniti	WPN-003
21010-50A28	Nissan/Infiniti	WPN-031
21010-50A89	Nissan/Infiniti	WPN-031
21010-50A94	Nissan/Infiniti	WPN-003
21010-50AY8	Nissan/Infiniti	WPN-003
21010-50V25	Nissan/Infiniti	WPN-024
21010-50VY5	Nissan/Infiniti	WPN-024
21010-53J00	Nissan/Infiniti	WPN-014
21010-53J01	Nissan/Infiniti	WPN-014
21010-53J02	Nissan/Infiniti	WPN-014
21010-53J03	Nissan/Infiniti	WPN-014
21010-53J04	Nissan/Infiniti	WPN-014
21010-53J05	Nissan/Infiniti	WPN-014
21010-53J25	Nissan/Infiniti	WPN-014
21010-53Y00	Nissan/Infiniti	WPN-001
21010-53Y01	Nissan/Infiniti	WPN-001
21010-60U25	Nissan/Infiniti	WPN-017
21010-60U26	Nissan/Infiniti	WPN-017
21010-60UY6	Nissan/Infiniti	WPN-003
21010-67U00	Nissan/Infiniti	WPN-083
21010-67U25	Nissan/Infiniti	WPN-083
21010-67U26	Nissan/Infiniti	WPN-083
21010-67U27	Nissan/Infiniti	WPN-083
21010-67U28	Nissan/Infiniti	WPN-083
21010-70J00	Nissan/Infiniti	WPN-014
21010-74Y00	Nissan/Infiniti	WPN-001
21010-74Y01	Nissan/Infiniti	WPN-001
21010-77A00	Nissan/Infiniti	WPN-058
21010-77AY0	Nissan/Infiniti	WPN-058
21010-7B000	Nissan/Infiniti	WPN-800
21010-7S000	Nissan/Infiniti	WPN-705
21010-7Y00A	Nissan/Infiniti	WPN-702
21010-7Y025	Nissan/Infiniti	WPN-702
21010-80W00	Nissan/Infiniti	WPN-027
21010-80W25	Nissan/Infiniti	WPN-027
21010-80W26	Nissan/Infiniti	WPN-027
21010-80W27	Nissan/Infiniti	WPN-027
21010-80W89	Nissan/Infiniti	WPN-027
21010-80W93	Nissan/Infiniti	WPN-027
21010-80W94	Nissan/Infiniti	WPN-027
21010-82W25	Nissan/Infiniti	WPN-027
21010-86G00	Nissan/Infiniti	WPN-700
21010-86G25	Nissan/Infiniti	WPN-059
21010-88R00	Nissan/Infiniti	WPN-001

21010-88R10	Nissan/Infiniti	WPN-001
21010-8J000	Nissan/Infiniti	WPN-703
21010-97E00	Nissan/Infiniti	WPN-081
21010-B17G2	Nissan/Infiniti	WPN-031
21010-D0104	Nissan/Infiniti	WPN-033
21010-D0125	Nissan/Infiniti	WPN-033
21010-D0126	Nissan/Infiniti	WPN-033
21010-D0189	Nissan/Infiniti	WPN-033
21010-D0194	Nissan/Infiniti	WPN-033
21010-E3003	Nissan/Infiniti	WPN-013
21010-E3004	Nissan/Infiniti	WPN-013
21010-E3027	Nissan/Infiniti	WPN-013
21010-E3028	Nissan/Infiniti	WPN-013
21010-E3087	Nissan/Infiniti	WPN-013
21010-ET000	Nissan/Infiniti	WPN-707
21010-ET025	Nissan/Infiniti	WPN-707
21010-F4300	Nissan/Infiniti	WPN-001
21010-F4400	Nissan/Infiniti	WPN-060
21010-F4600	Nissan/Infiniti	WPN-704
21010-F460A	Nissan/Infiniti	WPN-704
21010-F461A	Nissan/Infiniti	WPN-703
21010-F461B	Nissan/Infiniti	WPN-703
21010-G3925	Nissan/Infiniti	WPN-027
21010-G3926	Nissan/Infiniti	WPN-027
21010-G3927	Nissan/Infiniti	WPN-027
21010-G3928	Nissan/Infiniti	WPN-027
21010-H0125	Nissan/Infiniti	WPN-021
21010-H1025	Nissan/Infiniti	WPN-021
21010-H5025	Nissan/Infiniti	WPN-021
21010-H7201	Nissan/Infiniti	WPN-029
21010-H7202	Nissan/Infiniti	WPN-029
21010-H7203	Nissan/Infiniti	WPN-029
21010-H7225	Nissan/Infiniti	WPN-029
21010-H7226	Nissan/Infiniti	WPN-029
21010-H7227	Nissan/Infiniti	WPN-029
21010-H7287	Nissan/Infiniti	WPN-029
21010-H7289	Nissan/Infiniti	WPN-029
21010-HC400	Nissan/Infiniti	WPZ-002
21010-HC426	Nissan/Infiniti	WPZ-002
21010-HC427	Nissan/Infiniti	WPZ-002
21010-J2004	Nissan/Infiniti	WPZ-002
21010-M0100	Nissan/Infiniti	WPN-021
21010-M0125	Nissan/Infiniti	WPN-021
21010-M6601	Nissan/Infiniti	WPN-021
21010-M6625	Nissan/Infiniti	WPN-021
21010-M6626	Nissan/Infiniti	WPN-021
21010-M6686	Nissan/Infiniti	WPN-021
21010-M6689	Nissan/Infiniti	WPN-021
21010-N5803	Nissan/Infiniti	WPN-027



# Water Pump OEM Interchange

O.E. Part #	Manufacturer	AISIN Part #	O.E. Part #	Manufacturer	AISIN Part #
-------------	--------------	--------------	-------------	--------------	--------------

21010-N5825	Nissan/Infiniti	WPN-027
21010-N5826	Nissan/Infiniti	WPN-027
21010-N5827	Nissan/Infiniti	WPN-027
21010-N5828	Nissan/Infiniti	WPN-027
21010-N5829	Nissan/Infiniti	WPN-027
21010-N5885	Nissan/Infiniti	WPN-027
21010-N5886	Nissan/Infiniti	WPN-027
21010-P7503	Nissan/Infiniti	WPN-013
21010-P7525	Nissan/Infiniti	WPN-013
21010-P7526	Nissan/Infiniti	WPN-013
21010-P7527	Nissan/Infiniti	WPN-013
21010-P7528	Nissan/Infiniti	WPN-013
21010-P7529	Nissan/Infiniti	WPN-013
21010-P7585	Nissan/Infiniti	WPN-013
21010-P7586	Nissan/Infiniti	WPN-013
21010-P7587	Nissan/Infiniti	WPN-013
21010-P7588	Nissan/Infiniti	WPN-013
21010-P7589	Nissan/Infiniti	WPN-013
21010-V0725	Nissan/Infiniti	WPN-079
21010-V0726	Nissan/Infiniti	WPN-079
21010-V5003	Nissan/Infiniti	WPN-019
21010-V5004	Nissan/Infiniti	WPN-019
21010-V5005	Nissan/Infiniti	WPN-019
21010-V5025	Nissan/Infiniti	WPN-019
21010-V5026	Nissan/Infiniti	WPN-019
21010-V5027	Nissan/Infiniti	WPN-019
21010-V5028	Nissan/Infiniti	WPN-019
21010-V5500	Nissan/Infiniti	WPN-024
21010-V5510	Nissan/Infiniti	WPN-024
21010-V5525	Nissan/Infiniti	WPN-024
21010-V5526	Nissan/Infiniti	WPN-024
21010-V5527	Nissan/Infiniti	WPN-024
21010-V5528	Nissan/Infiniti	WPN-024
21010-V5529	Nissan/Infiniti	WPN-024
21010-V5585	Nissan/Infiniti	WPN-024
21010-V5586	Nissan/Infiniti	WPN-024
21010-V5587	Nissan/Infiniti	WPN-024
21010-V5588	Nissan/Infiniti	WPN-024
21010-V5589	Nissan/Infiniti	WPN-024
21010-V5594	Nissan/Infiniti	WPN-024
21010-V7026	Nissan/Infiniti	WPN-013
21010-W3626	Nissan/Infiniti	WPN-013
21010-W3627	Nissan/Infiniti	WPN-013
21010-W3628	Nissan/Infiniti	WPN-013
21010-W3685	Nissan/Infiniti	WPN-013
21010-W3686	Nissan/Infiniti	WPN-013
21010-W3694	Nissan/Infiniti	WPN-013
21010-W36Y6	Nissan/Infiniti	WPN-013
21010-W4425	Nissan/Infiniti	WPN-024

21010-W4426	Nissan/Infiniti	WPN-024
21010-Y0725	Nissan/Infiniti	WPN-013
21010-Y7000	Nissan/Infiniti	WPN-013
21010-Y7025	Nissan/Infiniti	WPN-013
B1010-0P529	Nissan/Infiniti	WPN-055
B1010-0W00J	Nissan/Infiniti	WPN-085
B1010-16E03	Nissan/Infiniti	WPN-011
B1010-1P128	Nissan/Infiniti	WPN-089
B1010-22P27	Nissan/Infiniti	WPN-016
B1010-40F27	Nissan/Infiniti	WPN-059
B1010-ET00A	Nissan/Infiniti	WPN-707
B1010-F461B	Nissan/Infiniti	WPN-703
BA010-06E26	Nissan/Infiniti	WPN-020
BA010-12G26	Nissan/Infiniti	WPN-004
BA010-17S27	Nissan/Infiniti	WPN-079
BA010-21028	Nissan/Infiniti	WPN-032
BA010-21085	Nissan/Infiniti	WPN-032
BA010-80W26	Nissan/Infiniti	WPN-027
BA010-80W89	Nissan/Infiniti	WPN-027
BA010-80W94	Nissan/Infiniti	WPN-027
BA010-D0126	Nissan/Infiniti	WPN-033
BA010-D0189	Nissan/Infiniti	WPN-033
BA010-D0194	Nissan/Infiniti	WPN-033
BA010-E3027	Nissan/Infiniti	WPN-013
BA010-H7227	Nissan/Infiniti	WPN-029
BA010-H7287	Nissan/Infiniti	WPN-029
BA010-H7289	Nissan/Infiniti	WPN-029
BA010-M6626	Nissan/Infiniti	WPN-021
BA010-M6686	Nissan/Infiniti	WPN-021
BA010-M6689	Nissan/Infiniti	WPN-021
BA010-N5885	Nissan/Infiniti	WPN-027
BA010-P7588	Nissan/Infiniti	WPN-013
BA010-V5589	Nissan/Infiniti	WPN-024
BA010-V5594	Nissan/Infiniti	WPN-024
BA010-W3694	Nissan/Infiniti	WPN-013
F3XY-8501B	Nissan/Infiniti	WPN-011
21110 AA012	Subaru	WPF-003
21110 AA013	Subaru	WPF-003
21110 AA015	Subaru	WPF-003
21110 AA016	Subaru	WPF-003
21110 AA017	Subaru	WPF-003
21110 AA023	Subaru	WPF-007
21110 AA025	Subaru	WPF-007
21110 AA026	Subaru	WPF-007
21110 AA050	Subaru	WPF-012
21110 AA060	Subaru	WPF-005
21110 AA070	Subaru	WPF-013
21110-AA012	Subaru	WPF-003
21110-AA013	Subaru	WPF-003



# Water Pump OEM Interchange

O.E. Part #	Manufacturer	AISIN Part #	O.E. Part #	Manufacturer	AISIN Part #
21110-AA014	Subaru	WPF-003	41076-7300	Subaru	WPF-005
21110-AA015	Subaru	WPF-003	41076-7400	Subaru	WPF-013
21110-AA016	Subaru	WPF-003	X2111 AA030	Subaru	WPF-002
21110-AA017	Subaru	WPF-003	X2111 AA031	Subaru	WPF-002
21110-AA022	Subaru	WPF-007	X2111 AA032	Subaru	WPF-002
21110-AA023	Subaru	WPF-007	X2111 AA033	Subaru	WPF-002
21110-AA025	Subaru	WPF-007	X2111 AA040	Subaru	WPF-008
21110-AA026	Subaru	WPF-007	X2111 AA041	Subaru	WPF-008
21110-AA050	Subaru	WPF-012	X2111 AA042	Subaru	WPF-008
21110-AA060	Subaru	WPF-005	X2111 AA080	Subaru	WPF-006
21110-AA070	Subaru	WPF-013	X2111 AA081	Subaru	WPF-006
21111 AA000	Subaru	WPF-002	X2111 AA082	Subaru	WPF-006
21111 AA001	Subaru	WPF-002	X2111-AA030	Subaru	WPF-002
21111 AA002	Subaru	WPF-002	X2111-AA031	Subaru	WPF-002
21111 AA003	Subaru	WPF-002	X2111-AA032	Subaru	WPF-002
21111 AA004	Subaru	WPF-002	X2111-AA033	Subaru	WPF-002
21111 AA005	Subaru	WPF-002	X2111-AA040	Subaru	WPF-008
21111 AA006	Subaru	WPF-002	X2111-AA041	Subaru	WPF-008
21111 AA007	Subaru	WPF-002	X2111-AA042	Subaru	WPF-008
21111 AA020	Subaru	WPF-006	X2111-AA080	Subaru	WPF-006
21111 AA021	Subaru	WPF-006	X2111-AA081	Subaru	WPF-006
21111 AA022	Subaru	WPF-006	X2111-AA082	Subaru	WPF-006
21111 AA023	Subaru	WPF-006	X2111-AA240	Subaru	WPF-023
21111 AA025	Subaru	WPF-006	X2111-AA250	Subaru	WPF-024
21111 AA026	Subaru	WPF-006	X2111-AA280	Subaru	WPF-025
21111 AA060	Subaru	WPF-008	91172178	Suzuki	WPS-006
21111 AA061	Subaru	WPF-008	91173496	Suzuki	WPS-006
21111 AA062	Subaru	WPF-008	96059659	Suzuki	WPS-006
21111 AA063	Subaru	WPF-008	96060136	Suzuki	WPS-007
21111 AA064	Subaru	WPF-008	17400-60810	Suzuki	WPS-006
21111 AA065	Subaru	WPF-008	17400-60811	Suzuki	WPS-006
21111-AA020	Subaru	WPF-006	17400-60811	Suzuki	WPS-006
21111-AA021	Subaru	WPF-006	17400-60812	Suzuki	WPS-006
21111-AA022	Subaru	WPF-006	17400-60813	Suzuki	WPS-006
21111-AA026	Subaru	WPF-006	17400-60814	Suzuki	WPS-006
21111-AA060	Subaru	WPF-008	17400-60815	Suzuki	WPS-006
21111-AA061	Subaru	WPF-008	17400-73001	Suzuki	WPS-002
21111-AA065	Subaru	WPF-008	17400-73002	Suzuki	WPS-002
21111-AA240	Subaru	WPF-023	17400-73012	Suzuki	WPS-002
21111-AA250	Subaru	WPF-024	17400-73013	Suzuki	WPS-002
21111-AA280	Subaru	WPF-025	17400-73810	Suzuki	WPS-002
41076 7000	Subaru	WPF-012	17400-73811	Suzuki	WPS-002
41076 7100	Subaru	WPF-005	17400-73812	Suzuki	WPS-002
41076 7200	Subaru	WPF-012	17400-73820	Suzuki	WPS-002
41076 7300	Subaru	WPF-005	17400-73870	Suzuki	WPS-002
41076 7400	Subaru	WPF-013	17400-78820	Suzuki	WPS-002
41076-7000	Subaru	WPF-012	17400-78821	Suzuki	WPS-002
41076-7100	Subaru	WPF-005	17400-82810	Suzuki	WPS-004
41076-7200	Subaru	WPF-012	17400-82811	Suzuki	WPS-004
			17400-82812	Suzuki	WPS-004





# Water Pump OEM Interchange

O.E. Part #	Manufacturer	AISIN Part #	O.E. Part #	Manufacturer	AISIN Part #
17400-82820	Suzuki	WPS-007	16100-19015-84	Toyota/Lexus/Scion	WPT-031
17400-82821	Suzuki	WPS-007	16100-19016	Toyota/Lexus/Scion	WPT-031
17400-82822	Suzuki	WPS-007	16100-19017	Toyota/Lexus/Scion	WPT-031
17400-82823	Suzuki	WPS-007	16100-19017-77	Toyota/Lexus/Scion	WPT-031
17400-82824	Suzuki	WPS-007	16100-19025	Toyota/Lexus/Scion	WPT-066
17400-82830	Suzuki	WPS-004	16100-19026	Toyota/Lexus/Scion	WPT-066
17400-82830-H	Suzuki	WPS-004	16100-19027	Toyota/Lexus/Scion	WPT-066
17400-82840	Suzuki	WPS-007	16100-19027-84	Toyota/Lexus/Scion	WPT-066
17400-82840-H	Suzuki	WPS-007	16100-19028	Toyota/Lexus/Scion	WPT-066
17400-82850	Suzuki	WPS-007	16100-19028-77	Toyota/Lexus/Scion	WPT-066
17400-82851	Suzuki	WPS-007	16100-19035	Toyota/Lexus/Scion	WPT-072
17400-83810	Suzuki	WPS-004	16100-19036	Toyota/Lexus/Scion	WPT-072
17400-83811	Suzuki	WPS-004	16100-19036-84	Toyota/Lexus/Scion	WPT-072
17400-83812	Suzuki	WPS-004	16100-19037	Toyota/Lexus/Scion	WPT-072
17400-83813	Suzuki	WPS-004	16100-19055	Toyota/Lexus/Scion	WPT-021
17400-83814	Suzuki	WPS-004	16100-19056	Toyota/Lexus/Scion	WPT-021
17400-83815	Suzuki	WPS-004	16100-19085	Toyota/Lexus/Scion	WPT-003
17400-83820	Suzuki	WPS-004	16100-19085-84	Toyota/Lexus/Scion	WPT-003
17400-83820-H	Suzuki	WPS-004	16100-19086	Toyota/Lexus/Scion	WPT-003
17400-87820	Suzuki	WPS-007	16100-19086-77	Toyota/Lexus/Scion	WPT-003
94840612	Toyota/Lexus/Scion	WPT-003	16100-19095	Toyota/Lexus/Scion	WPT-052
94847609	Toyota/Lexus/Scion	WPT-003	16100-19095-83	Toyota/Lexus/Scion	WPT-052
94850703	Toyota/Lexus/Scion	WPT-003	16100-19115	Toyota/Lexus/Scion	WPT-055
94854103	Toyota/Lexus/Scion	WPT-078	16100-19115-83	Toyota/Lexus/Scion	WPT-055
94854791	Toyota/Lexus/Scion	WPT-018	16100-19125	Toyota/Lexus/Scion	WPT-107
1610019105	Toyota/Lexus/Scion	WPT-008	16100-19126	Toyota/Lexus/Scion	WPT-107
16100-09010	Toyota/Lexus/Scion	WPT-008	16100-19135	Toyota/Lexus/Scion	WPT-107
16100-09020	Toyota/Lexus/Scion	WPT-055	16100-19165	Toyota/Lexus/Scion	WPT-021
16100-09040	Toyota/Lexus/Scion	WPTK-010	16100-19166	Toyota/Lexus/Scion	WPT-021
16100-09070	Toyota/Lexus/Scion	WPT-057	16100-19175	Toyota/Lexus/Scion	WPT-021
16100-09080	Toyota/Lexus/Scion	WPT-106	16100-19195	Toyota/Lexus/Scion	WPT-107
16100-09170	Toyota/Lexus/Scion	WPT-106	16100-19195-84	Toyota/Lexus/Scion	WPT-107
16100-09200	Toyota/Lexus/Scion	WPT-800	16100-19205	Toyota/Lexus/Scion	WPT-046
16100-09201	Toyota/Lexus/Scion	WPT-800	16100-19205-84	Toyota/Lexus/Scion	WPT-046
16100-09230	Toyota/Lexus/Scion	WPT-106	16100-19225	Toyota/Lexus/Scion	WPT-011
16100-09440	Toyota/Lexus/Scion	WPT-803	16100-19226	Toyota/Lexus/Scion	WPT-011
16100-09441	Toyota/Lexus/Scion	WPT-803	16100-19226-83	Toyota/Lexus/Scion	WPT-011
16100-09460	Toyota/Lexus/Scion	WPT-044	16100-19255	Toyota/Lexus/Scion	WPT-108
16100-09470	Toyota/Lexus/Scion	WPT-802	16100-19265	Toyota/Lexus/Scion	WPT-033
16100-09471	Toyota/Lexus/Scion	WPT-802	16100-19295	Toyota/Lexus/Scion	WPT-018
16100-09490	Toyota/Lexus/Scion	WPT-804	16100-19295-83	Toyota/Lexus/Scion	WPT-018
16100-09491	Toyota/Lexus/Scion	WPT-804	16100-19305	Toyota/Lexus/Scion	WPT-033
16100-09515	Toyota/Lexus/Scion	WPT-805	16100-19305-83	Toyota/Lexus/Scion	WPT-033
16100-0H010	Toyota/Lexus/Scion	WPT-801	16100-19355-83	Toyota/Lexus/Scion	WPT-018
16100-15080	Toyota/Lexus/Scion	WPT-046	16100-25010	Toyota/Lexus/Scion	WPT-085
16100-15090	Toyota/Lexus/Scion	WPT-018	16100-25011	Toyota/Lexus/Scion	WPT-085
16100-16090	Toyota/Lexus/Scion	WPT-078	16100-25012	Toyota/Lexus/Scion	WPT-085
16100-18010	Toyota/Lexus/Scion	WPT-049	16100-25012-84	Toyota/Lexus/Scion	WPT-085
16100-19015	Toyota/Lexus/Scion	WPT-031	16100-26020	Toyota/Lexus/Scion	WPT-049





# Water Pump OEM Interchange

**O.E. Part #      Manufacturer      AISIN Part #**

16100-26021	Toyota/Lexus/Scion	WPT-049
16100-26021-84	Toyota/Lexus/Scion	WPT-049
16100-26022	Toyota/Lexus/Scion	WPT-049
16100-26022-84	Toyota/Lexus/Scion	WPT-049
16100-26023	Toyota/Lexus/Scion	WPT-049
16100-28010	Toyota/Lexus/Scion	WPT-049
16100-28020	Toyota/Lexus/Scion	WPT-049
16100-28020-77	Toyota/Lexus/Scion	WPT-049
16100-28020-84	Toyota/Lexus/Scion	WPT-049
16100-28040	Toyota/Lexus/Scion	WPT-801
16100-28041	Toyota/Lexus/Scion	WPT-801
16100-29045	Toyota/Lexus/Scion	WPT-079
16100-29046	Toyota/Lexus/Scion	WPT-079
16100-29046-84	Toyota/Lexus/Scion	WPT-079
16100-29047	Toyota/Lexus/Scion	WPT-079
16100-29048	Toyota/Lexus/Scion	WPT-079
16100-29085	Toyota/Lexus/Scion	WPT-057
16100-29095	Toyota/Lexus/Scion	WPT-106
16100-29155	Toyota/Lexus/Scion	WPT-111
16100-29155-83	Toyota/Lexus/Scion	WPT-111
16100-29156	Toyota/Lexus/Scion	WPT-111
16100-29156-83	Toyota/Lexus/Scion	WPT-111
16100-29157	Toyota/Lexus/Scion	WPT-111
16100-29175	Toyota/Lexus/Scion	WPT-106
16100-29415	Toyota/Lexus/Scion	WPT-106
16100-29415-83	Toyota/Lexus/Scion	WPT-106
16100-39075	Toyota/Lexus/Scion	WPT-097
16100-39076	Toyota/Lexus/Scion	WPT-097
16100-39146	Toyota/Lexus/Scion	WPT-097
16100-39315	Toyota/Lexus/Scion	WPT-017
16100-39316	Toyota/Lexus/Scion	WPT-017
16100-39316-84	Toyota/Lexus/Scion	WPT-017
16100-39317	Toyota/Lexus/Scion	WPT-017
16100-39317-77	Toyota/Lexus/Scion	WPT-017
16100-39345	Toyota/Lexus/Scion	WPT-007
16100-39345-84	Toyota/Lexus/Scion	WPT-007
16100-39346	Toyota/Lexus/Scion	WPT-007
16100-39346-83	Toyota/Lexus/Scion	WPT-007
16100-39405	Toyota/Lexus/Scion	WPT-802
16100-39435	Toyota/Lexus/Scion	WPT-137
16100-39455	Toyota/Lexus/Scion	WPT-803
16100-39456	Toyota/Lexus/Scion	WPT-803
16100-39465	Toyota/Lexus/Scion	WPT-140
16100-39466	Toyota/Lexus/Scion	WPT-140
16100-39495	Toyota/Lexus/Scion	WPT-804
16100-39496	Toyota/Lexus/Scion	WPT-804
16100-39505	Toyota/Lexus/Scion	WPT-187
16100-39506	Toyota/Lexus/Scion	WPT-187
16100-39515	Toyota/Lexus/Scion	WPT-805

**O.E. Part #      Manufacturer      AISIN Part #**

16100-40021	Toyota/Lexus/Scion	WPT-084
16100-45022	Toyota/Lexus/Scion	WPT-116
16100-45080	Toyota/Lexus/Scion	WPT-084
16100-49015	Toyota/Lexus/Scion	WPT-084
16100-49016	Toyota/Lexus/Scion	WPT-084
16100-49066	Toyota/Lexus/Scion	WPT-084
16100-49185	Toyota/Lexus/Scion	WPT-116
16100-49186	Toyota/Lexus/Scion	WPT-116
16100-49365	Toyota/Lexus/Scion	WPT-084
16100-49395	Toyota/Lexus/Scion	WPT-084
16100-49405	Toyota/Lexus/Scion	WPT-084
16100-49406	Toyota/Lexus/Scion	WPT-084
16100-49435	Toyota/Lexus/Scion	WPT-084
16100-49436	Toyota/Lexus/Scion	WPT-084
16100-49465	Toyota/Lexus/Scion	WPT-084
16100-49475	Toyota/Lexus/Scion	WPT-084
16100-49485	Toyota/Lexus/Scion	WPT-084
16100-49486	Toyota/Lexus/Scion	WPT-084
16100-49487	Toyota/Lexus/Scion	WPT-084
16100-49495	Toyota/Lexus/Scion	WPT-084
16100-49496	Toyota/Lexus/Scion	WPT-084
16100-49497	Toyota/Lexus/Scion	WPT-084
16100-49505	Toyota/Lexus/Scion	WPT-084
16100-49506	Toyota/Lexus/Scion	WPT-084
16100-49515	Toyota/Lexus/Scion	WPT-084
16100-49585	Toyota/Lexus/Scion	WPT-065
16100-49595	Toyota/Lexus/Scion	WPT-065
16100-49615	Toyota/Lexus/Scion	WPT-065
16100-49655	Toyota/Lexus/Scion	WPT-075
16100-49655-84	Toyota/Lexus/Scion	WPT-075
16100-49656	Toyota/Lexus/Scion	WPT-075
16100-49656-77	Toyota/Lexus/Scion	WPT-075
16100-49665	Toyota/Lexus/Scion	WPT-065
16100-49666	Toyota/Lexus/Scion	WPT-065
16100-49675	Toyota/Lexus/Scion	WPT-065
16100-49676	Toyota/Lexus/Scion	WPT-065
16100-49685	Toyota/Lexus/Scion	WPT-075
16100-49695	Toyota/Lexus/Scion	WPT-065
16100-49696	Toyota/Lexus/Scion	WPT-065
16100-49705	Toyota/Lexus/Scion	WPT-065
16100-49706	Toyota/Lexus/Scion	WPT-065
16100-49725	Toyota/Lexus/Scion	WPT-065
16100-49726	Toyota/Lexus/Scion	WPT-065
16100-49755	Toyota/Lexus/Scion	WPT-025
16100-49756	Toyota/Lexus/Scion	WPT-025
16100-49775	Toyota/Lexus/Scion	WPT-068
16100-49776	Toyota/Lexus/Scion	WPT-068
16100-49805	Toyota/Lexus/Scion	WPT-025
16100-49805-83	Toyota/Lexus/Scion	WPT-025



# Water Pump OEM Interchange

O.E. Part #	Manufacturer	AISIN Part #	O.E. Part #	Manufacturer	AISIN Part #
16100-49815	Toyota/Lexus/Scion	WPT-110	16100-69075-84	Toyota/Lexus/Scion	WPT-097
16100-49816	Toyota/Lexus/Scion	WPT-110	16100-69076	Toyota/Lexus/Scion	WPT-097
16100-49825	Toyota/Lexus/Scion	WPT-038	16100-69076-77	Toyota/Lexus/Scion	WPT-097
16100-49826	Toyota/Lexus/Scion	WPT-038	16100-69085	Toyota/Lexus/Scion	WPT-004
16100-49835	Toyota/Lexus/Scion	WPT-110	16100-69125	Toyota/Lexus/Scion	WPT-098
16100-49836	Toyota/Lexus/Scion	WPT-110	16100-69155	Toyota/Lexus/Scion	WPT-029
16100-49837	Toyota/Lexus/Scion	WPT-110	16100-69156	Toyota/Lexus/Scion	WPT-029
16100-49837-83	Toyota/Lexus/Scion	WPT-110	16100-69195	Toyota/Lexus/Scion	WPT-029
16100-49845	Toyota/Lexus/Scion	WPT-038	16100-69196	Toyota/Lexus/Scion	WPT-029
16100-49846	Toyota/Lexus/Scion	WPT-038	16100-69205	Toyota/Lexus/Scion	WPT-002
16100-49875	Toyota/Lexus/Scion	WPT-116	16100-69206	Toyota/Lexus/Scion	WPT-002
16100-49876	Toyota/Lexus/Scion	WPT-116	16100-69215	Toyota/Lexus/Scion	WPT-098
16100-49876-83	Toyota/Lexus/Scion	WPT-116	16100-69225	Toyota/Lexus/Scion	WPT-030
16100-50020	Toyota/Lexus/Scion	WPT-800	16100-69225-83	Toyota/Lexus/Scion	WPT-030
16100-50022	Toyota/Lexus/Scion	WPT-800	16100-69275	Toyota/Lexus/Scion	WPT-004
16100-50023-83	Toyota/Lexus/Scion	WPT-800	16100-69295	Toyota/Lexus/Scion	WPT-004
16100-59045	Toyota/Lexus/Scion	WPT-067	16100-69296	Toyota/Lexus/Scion	WPT-004
16100-59046	Toyota/Lexus/Scion	WPT-067	16100-69305	Toyota/Lexus/Scion	WPT-002
16100-59047	Toyota/Lexus/Scion	WPT-067	16100-69325	Toyota/Lexus/Scion	WPT-023
16100-59048	Toyota/Lexus/Scion	WPT-067	16100-69335	Toyota/Lexus/Scion	WPT-002
16100-59049	Toyota/Lexus/Scion	WPT-067	16100-69335-83	Toyota/Lexus/Scion	WPT-002
16100-59125	Toyota/Lexus/Scion	WPT-067	16100-69345	Toyota/Lexus/Scion	WPT-032
16100-59126	Toyota/Lexus/Scion	WPT-067	16100-69345-83	Toyota/Lexus/Scion	WPT-032
16100-59127	Toyota/Lexus/Scion	WPT-067	16100-69385	Toyota/Lexus/Scion	WPT-099
16100-59128	Toyota/Lexus/Scion	WPT-067	16100-69395	Toyota/Lexus/Scion	WPT-100
16100-59129	Toyota/Lexus/Scion	WPT-067	16100-69395-83	Toyota/Lexus/Scion	WPT-100
16100-59135	Toyota/Lexus/Scion	WPT-013	16100-69396	Toyota/Lexus/Scion	WPT-100
16100-59136	Toyota/Lexus/Scion	WPT-013	16100-69397	Toyota/Lexus/Scion	WPT-100
16100-59137	Toyota/Lexus/Scion	WPT-013	16100-69398	Toyota/Lexus/Scion	WPT-100
16100-59138	Toyota/Lexus/Scion	WPT-013	16100-69398-83	Toyota/Lexus/Scion	WPT-100
16100-59139	Toyota/Lexus/Scion	WPT-013	16100-69405	Toyota/Lexus/Scion	WPT-048
16100-59205	Toyota/Lexus/Scion	WPT-067	16100-69406	Toyota/Lexus/Scion	WPT-048
16100-59208	Toyota/Lexus/Scion	WPT-067	16100-69407	Toyota/Lexus/Scion	WPT-048
16100-59215	Toyota/Lexus/Scion	WPT-067	16100-69408	Toyota/Lexus/Scion	WPT-048
16100-59275	Toyota/Lexus/Scion	WPT-800	16100-69425	Toyota/Lexus/Scion	WPT-004
16100-59275-83	Toyota/Lexus/Scion	WPT-800	16100-69455	Toyota/Lexus/Scion	WPT-002
16100-59276	Toyota/Lexus/Scion	WPT-800	16100-69455-83	Toyota/Lexus/Scion	WPT-002
16100-61040	Toyota/Lexus/Scion	WPT-020	16100-69465	Toyota/Lexus/Scion	WPT-098
16100-61041	Toyota/Lexus/Scion	WPT-020	16100-69465-83	Toyota/Lexus/Scion	WPT-098
16100-61071	Toyota/Lexus/Scion	WPT-063	16100-69475	Toyota/Lexus/Scion	WPT-030
16100-61120	Toyota/Lexus/Scion	WPT-063	16100-69475-83	Toyota/Lexus/Scion	WPT-030
16100-61130	Toyota/Lexus/Scion	WPT-063	16100-69485	Toyota/Lexus/Scion	WPT-032
16100-61180	Toyota/Lexus/Scion	WPT-029	16100-69485-83	Toyota/Lexus/Scion	WPT-032
16100-64H00	Toyota/Lexus/Scion	WPT-004	16100-69495	Toyota/Lexus/Scion	WPT-099
16100-64H02	Toyota/Lexus/Scion	WPT-004	16100-69495-83	Toyota/Lexus/Scion	WPT-099
16100-64H04	Toyota/Lexus/Scion	WPT-004	16100-69535	Toyota/Lexus/Scion	WPT-048
16100-64H06	Toyota/Lexus/Scion	WPT-004	16100-76036	Toyota/Lexus/Scion	WPT-016
16100-64H07	Toyota/Lexus/Scion	WPT-004	16100-79035	Toyota/Lexus/Scion	WPT-016
16100-69075	Toyota/Lexus/Scion	WPT-097	16100-79035-84	Toyota/Lexus/Scion	WPT-016



# Water Pump OEM Interchange

**O.E. Part #      Manufacturer      AISIN Part #**

16100-79036	Toyota/Lexus/Scion	WPT-016
16100-79036-77	Toyota/Lexus/Scion	WPT-016
16100-79037	Toyota/Lexus/Scion	WPT-016
16100-79045	Toyota/Lexus/Scion	WPT-060
16100-79075	Toyota/Lexus/Scion	WPT-010
16100-79075-77	Toyota/Lexus/Scion	WPT-010
16100-79075-84	Toyota/Lexus/Scion	WPT-010
16100-79095	Toyota/Lexus/Scion	WPT-060
16100-79125	Toyota/Lexus/Scion	WPT-056
16100-79126	Toyota/Lexus/Scion	WPT-056
16100-79135	Toyota/Lexus/Scion	WPT-806
16100-79165	Toyota/Lexus/Scion	WPT-014
16100-79165-83	Toyota/Lexus/Scion	WPT-014
16100-79175	Toyota/Lexus/Scion	WPT-056
16100-79185-83	Toyota/Lexus/Scion	WPTK-010
16100-79245	Toyota/Lexus/Scion	WPT-044
16100-79255	Toyota/Lexus/Scion	WPT-044
16100-79275	Toyota/Lexus/Scion	WPT-016
16100-79445	Toyota/Lexus/Scion	WPT-044
16100-79445-83	Toyota/Lexus/Scion	WPT-044
16100-87731	Daihatsu	WPD-013
16100-87790	Daihatsu	WPD-013
16100-87797	Daihatsu	WPD-013
16101-76030	Toyota/Lexus/Scion	WPT-014
16110-09010	Toyota/Lexus/Scion	WPT-010
16110-15010	Toyota/Lexus/Scion	WPT-066
16110-15045	Toyota/Lexus/Scion	WPT-008
16110-15046	Toyota/Lexus/Scion	WPT-008
16110-15047	Toyota/Lexus/Scion	WPT-008
16110-15050	Toyota/Lexus/Scion	WPT-008
16110-15070	Toyota/Lexus/Scion	WPT-090
16110-15080	Toyota/Lexus/Scion	WPT-003
16110-15085	Toyota/Lexus/Scion	WPT-003
16110-16010	Toyota/Lexus/Scion	WPT-052
16110-16020	Toyota/Lexus/Scion	WPT-055
16110-16020-84	Toyota/Lexus/Scion	WPT-055
16110-19025	Toyota/Lexus/Scion	WPT-090
16110-19026	Toyota/Lexus/Scion	WPT-090
16110-19035	Toyota/Lexus/Scion	WPT-066
16110-19036	Toyota/Lexus/Scion	WPT-066
16110-19045	Toyota/Lexus/Scion	WPT-008
16110-19046	Toyota/Lexus/Scion	WPT-008
16110-19046-84	Toyota/Lexus/Scion	WPT-008
16110-19047	Toyota/Lexus/Scion	WPT-008
16110-19047-77	Toyota/Lexus/Scion	WPT-008
16110-19055	Toyota/Lexus/Scion	WPT-107
16110-19065	Toyota/Lexus/Scion	WPT-107
16110-19065-84	Toyota/Lexus/Scion	WPT-107
16110-19075	Toyota/Lexus/Scion	WPT-003

**O.E. Part #      Manufacturer      AISIN Part #**

16110-19076	Toyota/Lexus/Scion	WPT-003
16110-19085	Toyota/Lexus/Scion	WPT-003
16110-19086	Toyota/Lexus/Scion	WPT-090
16110-19095	Toyota/Lexus/Scion	WPT-107
16110-19105	Toyota/Lexus/Scion	WPT-107
16110-19106	Toyota/Lexus/Scion	WPT-107
16110-19107	Toyota/Lexus/Scion	WPT-006
16110-19135	Toyota/Lexus/Scion	WPT-018
16110-19145	Toyota/Lexus/Scion	WPT-108
16110-19146	Toyota/Lexus/Scion	WPT-108
16110-19155	Toyota/Lexus/Scion	WPT-052
16110-19165	Toyota/Lexus/Scion	WPT-055
16110-19175	Toyota/Lexus/Scion	WPT-033
16110-19176	Toyota/Lexus/Scion	WPT-033
16110-19185	Toyota/Lexus/Scion	WPT-078
16110-19205	Toyota/Lexus/Scion	WPT-018
16110-26020	Toyota/Lexus/Scion	WPT-049
16110-26020-84	Toyota/Lexus/Scion	WPT-049
16110-26021	Toyota/Lexus/Scion	WPT-049
16110-26021-84	Toyota/Lexus/Scion	WPT-049
16110-26022	Toyota/Lexus/Scion	WPT-049
16110-28010	Toyota/Lexus/Scion	WPT-049
16110-28010-77	Toyota/Lexus/Scion	WPT-049
16110-28010-84	Toyota/Lexus/Scion	WPT-049
16110-28020	Toyota/Lexus/Scion	WPT-049
16110-33010	Toyota/Lexus/Scion	WPT-049
16110-34010	Toyota/Lexus/Scion	WPT-049
16110-38030	Toyota/Lexus/Scion	WPT-017
16110-38031	Toyota/Lexus/Scion	WPT-017
16110-38035	Toyota/Lexus/Scion	WPT-017
16110-39035	Toyota/Lexus/Scion	WPT-017
16110-41100	Toyota/Lexus/Scion	WPT-084
16110-41110	Toyota/Lexus/Scion	WPT-084
16110-41130	Toyota/Lexus/Scion	WPT-084
16110-41131	Toyota/Lexus/Scion	WPT-084
16110-41170	Toyota/Lexus/Scion	WPT-084
16110-41240	Toyota/Lexus/Scion	WPT-065
16110-41250	Toyota/Lexus/Scion	WPT-065
16110-45090	Toyota/Lexus/Scion	WPT-084
16110-49015	Toyota/Lexus/Scion	WPT-084
16110-49016	Toyota/Lexus/Scion	WPT-084
16110-49025	Toyota/Lexus/Scion	WPT-084
16110-49025-84	Toyota/Lexus/Scion	WPT-084
16110-49026	Toyota/Lexus/Scion	WPT-084
16110-49026-77	Toyota/Lexus/Scion	WPT-084
16110-49035	Toyota/Lexus/Scion	WPT-084
16110-49036	Toyota/Lexus/Scion	WPT-084
16110-49055	Toyota/Lexus/Scion	WPT-065
16110-49056	Toyota/Lexus/Scion	WPT-065



# Water Pump OEM Interchange

O.E. Part #	Manufacturer	AISIN Part #	O.E. Part #	Manufacturer	AISIN Part #
16110-49065	Toyota/Lexus/Scion	WPT-065	16120-41131	Toyota/Lexus/Scion	WPT-084
16110-49066	Toyota/Lexus/Scion	WPT-065	16120-41170	Toyota/Lexus/Scion	WPT-084
16110-49075	Toyota/Lexus/Scion	WPT-017	16120-42010	Toyota/Lexus/Scion	WPT-084
16110-49095	Toyota/Lexus/Scion	WPT-038	16120-42011	Toyota/Lexus/Scion	WPT-084
16110-49096	Toyota/Lexus/Scion	WPT-038	16120-42012	Toyota/Lexus/Scion	WPT-084
16110-49097	Toyota/Lexus/Scion	WPT-038	16120-45030	Toyota/Lexus/Scion	WPT-084
16110-49105	Toyota/Lexus/Scion	WPT-038	16120-45080	Toyota/Lexus/Scion	WPT-084
16110-49115	Toyota/Lexus/Scion	WPT-110	16120-45100	Toyota/Lexus/Scion	WPT-065
16110-49116	Toyota/Lexus/Scion	WPT-110	16120-45110	Toyota/Lexus/Scion	WPT-065
16110-49125	Toyota/Lexus/Scion	WPT-038	16120-49015	Toyota/Lexus/Scion	WPT-084
16110-49126	Toyota/Lexus/Scion	WPT-038	16120-49025	Toyota/Lexus/Scion	WPT-084
16110-49155	Toyota/Lexus/Scion	WPT-116	16120-49036	Toyota/Lexus/Scion	WPT-084
16110-49156	Toyota/Lexus/Scion	WPT-116	16120-49045	Toyota/Lexus/Scion	WPT-065
16110-61071	Toyota/Lexus/Scion	WPT-063	16120-49046	Toyota/Lexus/Scion	WPT-065
16110-61081	Toyota/Lexus/Scion	WPT-028	16120-49055	Toyota/Lexus/Scion	WPT-065
16110-61081-77	Toyota/Lexus/Scion	WPT-028	16120-49065	Toyota/Lexus/Scion	WPT-084
16110-61081-84	Toyota/Lexus/Scion	WPT-028	16120-49080	Toyota/Lexus/Scion	WPT-084
16110-61120	Toyota/Lexus/Scion	WPT-063	272476	Volvo	WPV-803
16110-61180	Toyota/Lexus/Scion	WPT-029	272481	Volvo	WPV-802
16110-63010	Toyota/Lexus/Scion	WPT-097	86946266	Volvo	WPV-802
16110-69035	Toyota/Lexus/Scion	WPT-097	86946274	Volvo	WPV-803
16110-69035-84	Toyota/Lexus/Scion	WPT-097	306844325	Volvo	WPV-800
16110-69036	Toyota/Lexus/Scion	WPT-097	271647-0	Volvo	WPV-802
16110-69036-77	Toyota/Lexus/Scion	WPT-097	271855-0	Volvo	WPV-800
16110-69037	Toyota/Lexus/Scion	WPT-097	271984-0	Volvo	WPV-801
16110-79015	Toyota/Lexus/Scion	WPT-060	271985-0	Volvo	WPV-800
16110-79025	Toyota/Lexus/Scion	WPT-010	271985-4	Volvo	WPV-800
16110-79026	Toyota/Lexus/Scion	WPT-010	271986-0	Volvo	WPV-802
16110-79026-83	Toyota/Lexus/Scion	WPT-010	272334-0	Volvo	WPV-803
16110-79035	Toyota/Lexus/Scion	WPT-056	272334-4	Volvo	WPV-803
16110-79045	Toyota/Lexus/Scion	WPT-010	272476-0	Volvo	WPV-800
16110-79055	Toyota/Lexus/Scion	WPT-056	272476-3	Volvo	WPV-803
16110-79095	Toyota/Lexus/Scion	WPT-060	272481-0	Volvo	WPV-802
16110-79105	Toyota/Lexus/Scion	WPT-056	274216-0	Volvo	WPV-804
16110-79115	Toyota/Lexus/Scion	WPT-056	30650751-0	Volvo	WPV-800
16110-82010	Toyota/Lexus/Scion	WPT-049	30684432-0	Volvo	WPV-800
16120-33010	Toyota/Lexus/Scion	WPT-084	30751700-0	Volvo	WPV-800
16120-34110	Toyota/Lexus/Scion	WPT-084	8694626-0	Volvo	WPV-802
16120-41020	Toyota/Lexus/Scion	WPT-084	8694627-0	Volvo	WPV-803
16120-41040	Toyota/Lexus/Scion	WPT-084	8694628-0	Volvo	WPV-801
16120-41060	Toyota/Lexus/Scion	WPT-084	8694629-0	Volvo	WPV-804
16120-41110	Toyota/Lexus/Scion	WPT-084	8694630-0	Volvo	WPV-804
16120-41130	Toyota/Lexus/Scion	WPT-084			









# Timing Belt Kit OEM Interchange / BOM

AISIN Kit#	Water Pump	Timing Belt	Idler Bearing	Tensioner Bearing	Tensioner Spring	Hydraulic Tensioner	Balance Shaft Tensioner Bearing	Balance Shaft Belt	Balance Shaft Tensioner Spring
TKH-001	19200-P8A-A02 (WPH-800)	14400-P8A-A02	14550-P8A-A01	14510-P8A-A01	Not Required	14520-P8E-A01 (BTH-002)	Not Required	Not Required	Not Required
TKH-002	19200-RDM-A02 (WPH-801)	14400-RCA-A01	14550-RCA-A01	14510-RCA-A01	Not Required	14520-RCA-A01 (BTH-001)	Not Required	Not Required	Not Required
TKH-003	19200-PLM-A01 (WPH-044)	14400-PMM-A02	Not Required	14520-PLC-335	14516-PLC-000	Not Required	Not Required	Not Required	Not Required
TKH-004	19210-PH1-515 (WPH-003)	14400-PC6-004	Not Required	14510-PH1-003	Not Included OE#14516-PD2-000	Not Required	Not Required	Not Required	Not Required
TKH-005	19200-P2A-A01 (WPH-011A)	14400-P2F-A01	Not Required	14520-P2A-305	14516-P2A-J00	Not Required	Not Required	Not Required	Not Required
TKH-006	19200-P0A-003 (WPH-001)	14400-PAA-A02	Not Required	14510-PT0-004	14516-P0A-000	Not Required	13404-PT0-004	13405-PT0-003	13407-PT0-000
TKH-007	19200-P0A-003 (WPH-001)	14400-PT0-004	Not Required	14510-PT0-004	Not Required	Not Required	13404-PT0-004	13405-PT0-004	13407-PT0-000
TKH-011	19200-P8A-A02 (WPH-800)	14400-P8A-A02	14550-P8A-A01	14510-PGE-A01	Not Required	14520-P8A-A01	Not Required	Not Required	Not Required
TKH-012	8-97167-551-0 (WPG-030)	8-97136-321-0	8-97146-877-0	8-97136-256-0	Not Required	8-97328-512-0	Not Required	Not Required	Not Required
TKM-001	MD976464 (WPM-057)	MD336149	MD156604	MD182537	Not Required	MD308086	MD352473	MR984778	Not Required
TKM-002	MD978764 (WPM-059)	MD307487	MD319022	MD140071	Not Required	1145A070	Not Required	Not Required	Not Required
TKM-003	1300A012 (WPM-035)	MD322641	MD319022	MD140071	Not Required	1145A070	Not Required	Not Required	Not Required
TKM-004	MD309756 (WPM-033)	MD186376	Not Required	MD320174	Not Required	Not Required	Not Required	Not Required	Not Required
TKM-005	MD979171 (WPM-069)	MD358549	MD319022	MD140071	Not Required	Not Required	Not Required	Not Required	Not Required
TKM-006	MD972934 (WPM-038)	MD182294	MD156604	MD308587	Not Required	Not Required	MD182537	MD171749	Not Required
TKN-001	21010-4S105 (WPN-706)	13028-0B785	Not Required	13070-42L00	13072-7B000	Not Required	N/A	N/A	N/A
TKN-002	21010-7B000 (WPN-800)	13028-0B785	Not Required	13070-42L00	13072-7B000	Not Required	N/A	N/A	N/A
TKF-001	21111-AA007 (WPF-002)	13028AA231	13073-AA142 13073-AA190 13085-AA080	13033-AA042 (INCLUDES BEARING)	Not Required	13033-AA042 (INCLUDES BEARING)	N/A	N/A	N/A
TKF-002	21111-AA007 (WPF-002)	13028-AA102 (EX CALIF.)	13073-AA142 (2) 13085-AA080 (1)	13069-AA037	Not Required	13068-AA051	N/A	N/A	N/A
TKF-003	21111-AA007 (WPF-002)	13028-AA150 (CALIF.)	13073-AA142 (2) 13085-AA080 (1)	13069-AA037	Not Required	13068-AA051	N/A	N/A	N/A
TKF-004	21111-AA240 (WPF-023)	13028-AA240	13073-AA142 (2) 13085-AA080 (1) 13073-AA230 (1)	13033-AA042 (INCLUDES BEARING)	Not Required	13033-AA042 (INCLUDES BEARING)	N/A	N/A	N/A
TKF-005	21111-AA250 (WPF-024)	13028-AA240	13073-AA142 (2) 13085-AA080 (1) 13073-AA230 (1)	13033-AA042 (INCLUDES BEARING)	Not Required	13033-AA042 (INCLUDES BEARING)	N/A	N/A	N/A
TKF-006	21111-AA280 (WPF-025)	13028-AA231	13073-AA142 13073-AA190 13085-AA080	13033-AA042 (INCLUDES BEARING)	Not Required	13033-AA042 (INCLUDES BEARING)	N/A	N/A	N/A
TKF-007	21111-AA007 (WPF-002)	13028-AA21C	13073-AA142 13073-AA190 13085-AA080	13033-AA042 (INCLUDES BEARING)	Not Required	13033-AA042 (INCLUDES BEARING)	N/A	N/A	N/A



# Timing Belt Kit OEM Interchange / BOM

AISIN Kit#	Water Pump	Timing Belt	Idler Bearing	Tensioner Bearing	Tensioner Spring	Hydraulic Tensioner	Balance Shaft Tensioner Bearing	Balance Shaft Belt	Balance Shaft Tensioner Spring
TKT-001	16100-59275-83 (WPT-800)	13568-09070	13503-0F010	13505-0F010	Not Required	13540-50030	N/A	N/A	N/A
TKT-002	16100-09040 (WPTK-010)	13568-09041	13503-63011	13505-74011	Not Required O.E.# 90507-17003	Not Required	N/A	N/A	N/A
TKT-003	16100-29085 (WPT-057A)	13568-09080	13503-0A010	13505-20010	Not Required	13540-20021	N/A	N/A	N/A
TKT-004	16110-79026-83 (WPT-010)	13568-09041	16503-63011	13505-74011	Not Required O.E.# 90507-17003	Not Required	N/A	N/A	N/A
TKT-005	16100-69398-83 (WPT-100)	13568-69095	13503-62040	13505-62070	Not Required	13540-62021 (BTT-002)	N/A	N/A	N/A
TKT-006	16100-29085 (WPT-057A)	13568-09080	13503-0A010	13505-0A010	Not Required	13540-20030	N/A	N/A	N/A
TKT-007	16100-69405 (WPT-048)	13568-69095	13503-62040	13505-62070	Not Required	13540-62021 (BTT-002)	N/A	N/A	N/A
TKT-009	16100-49815 (WPT-110)	13568-49036	Not Required	13505-46041	Not Required	13540-46030	N/A	N/A	N/A
TKT-010	16100-59275-83 (WPT-800)	13568-59045	13503-0F010	13505-50022	Not Required	13540-50030	N/A	N/A	N/A
TKT-011	16100-49876-83 (WPT-116)	13568-49036	Not Required	13505-46041	Not Required	13540-46030	N/A	N/A	N/A
TKT-012	16100-19205 (WPT-002)	13568-62040	13503-0A010	13505-20010	Not Required	13540-62020 (BTT-001)	N/A	N/A	N/A
TKT-013	16100-19205	13568-69025	13503-0A010	13505-20010	Not Required	13540-62020 (BTT-001)	N/A	N/A	N/A
TKT-014	16100-69345 (WPT-032)	13568-69075	13503-65010	13505-65040	Not Required	13540-65010 (BTT-003)	N/A	N/A	N/A
TKT-016	16000-69475 (WPT-030)	13568-69055	13503-65010	13505-65020	90507-21001	Not Required	N/A	N/A	N/A
TKT-017	16100-19305 (WPT-033)	13568-19056	Not Required	13505-15050	90506-16065	Not Required	N/A	N/A	N/A
TKT-018	16100-19205 (WPT-046)	13568-19135	Not Required	13505-15041	90507-18017	Not Required	N/A	N/A	N/A
TKT-019	16100-19355 (WPT-108)	13568-19046	Not Required	13505-15050	90506-13004	Not Required	N/A	N/A	N/A
TKT-021	16100-59275-83 (WPT-800)	13568-09070	13503-0F010	13505-0F010	Not Required	13540-50030	N/A	N/A	N/A
TKT-024	16100-29085 (WPT-057)	13568-09080	13503-0A010	13505-20010	Not Required	13540-20021	N/A	N/A	N/A
TKT-025	16100-69398-83 (WPT-100)	13568-69095	13503-62040	13505-62070	Not Required	13540-62021 (BTT-002)	N/A	N/A	N/A
TKT-026	16100-29085 (WPT-057)	13568-09080	13503-0A010	13505-0A010	Not Required	13540-20030	N/A	N/A	N/A
TKT-029	16100-49815 (WPT-110)	13568-49036	Not Required	13505-46041	Not Required	13540-46030	N/A	N/A	N/A
TKT-030	16100-59275-83 (WPT-800)	13568-59045	13503-0F010	13505-50022	Not Required	13540-50030	N/A	N/A	N/A
TKT-031	16100-49876-83 (WPT-116)	13568-49036	Not Required	13505-46041	Not Required	13540-46030	N/A	N/A	N/A







# Fan Clutch OEM Interchange

O.E. Part #	Manufacturer	AISIN Part #	O.E. Part #	Manufacturer	AISIN Part #
19189608	Isuzu	FCG-004	19189660	Toyota/Lexus/Scion	FCT-001
19189624	Isuzu	FCG-003	19189660	Toyota/Lexus/Scion	FCT-003
19189659	Isuzu	FCG-019	19189660	Toyota/Lexus/Scion	FCT-025
19189698	Isuzu	FCG-001	19189661	Toyota/Lexus/Scion	FCT-007
1621062011	Isuzu	FCG-004	19189661	Toyota/Lexus/Scion	FCT-044
1621075040	Isuzu	FCG-004	19189661	Toyota/Lexus/Scion	FCT-060
1621075060	Isuzu	FCG-004	19189662	Toyota/Lexus/Scion	FCT-048
8942323460	Isuzu	FCG-019	19189664	Toyota/Lexus/Scion	FCT-009
162100W010	Isuzu	FCG-004	19189664	Toyota/Lexus/Scion	FCT-017
8-94244-409-0	Isuzu	FCG-019	19189665	Toyota/Lexus/Scion	FCT-014
8-94310-518-0	Isuzu	FCG-001	19189669	Toyota/Lexus/Scion	FCT-004
8-94412-030-0	Isuzu	FCG-001	897018918	Toyota/Lexus/Scion	FCT-009
8-94412-033-0	Isuzu	FCG-001	1621038020	Toyota/Lexus/Scion	FCT-001
8-97102-903-0	Isuzu	FCG-004	1621038020	Toyota/Lexus/Scion	FCT-003
8-97130-362-1	Isuzu	FCG-003	1621038023	Toyota/Lexus/Scion	FCT-001
8-97135-167-0	Isuzu	FCG-004	1621038023	Toyota/Lexus/Scion	FCT-003
19189653	Mitsubishi	FCM-002	1621038024	Toyota/Lexus/Scion	FCT-001
19189657	Mitsubishi	FCM-001	1621038024	Toyota/Lexus/Scion	FCT-003
1621031010	Mitsubishi	FCM-001	1621038050	Toyota/Lexus/Scion	FCT-001
1621073010	Mitsubishi	FCM-001	1621038050	Toyota/Lexus/Scion	FCT-003
AM15159X3	Mitsubishi	FCM-002	1621038060	Toyota/Lexus/Scion	FCT-001
MD023698	Mitsubishi	FCM-001	1621038060	Toyota/Lexus/Scion	FCT-003
MD041079	Mitsubishi	FCM-002	1621041160	Toyota/Lexus/Scion	FCT-007
MD104576	Mitsubishi	FCM-002	1621045090	Toyota/Lexus/Scion	FCT-007
MD108270	Mitsubishi	FCM-001	1621045100	Toyota/Lexus/Scion	FCT-007
19189663	Nissan/Infiniti	FCN-001	1621046040	Toyota/Lexus/Scion	FCT-006
20182-Y4161	Nissan/Infiniti	FCN-001	1621061021	Toyota/Lexus/Scion	FCT-009
21082-01P00	Nissan/Infiniti	FCN-001	1621061070	Toyota/Lexus/Scion	FCT-009
21082-01P04	Nissan/Infiniti	FCN-001	1621061071	Toyota/Lexus/Scion	FCT-009
21082-12G10	Nissan/Infiniti	FCN-001	1621061072	Toyota/Lexus/Scion	FCT-009
21082-16V00	Nissan/Infiniti	FCN-001	1621061120	Toyota/Lexus/Scion	FCT-009
21082-40P00	Nissan/Infiniti	FCN-001	1621061121	Toyota/Lexus/Scion	FCT-009
21082N3600	Nissan/Infiniti	FCN-001	1621061140	Toyota/Lexus/Scion	FCT-009
21082Y4100	Nissan/Infiniti	FCN-001	1621061160	Toyota/Lexus/Scion	FCT-009
21082Y4101	Nissan/Infiniti	FCN-001	1621065010	Toyota/Lexus/Scion	FCT-009
19189611	Suzuki	FCS-001	1621065020	Toyota/Lexus/Scion	FCT-009
19189612	Suzuki	FCS-002	1621066010	Toyota/Lexus/Scion	FCT-004
17120-57B00	Suzuki	FCS-001	1621075040	Toyota/Lexus/Scion	FCT-002
1712057B01	Suzuki	FCS-002	1621075060	Toyota/Lexus/Scion	FCT-002
17120-57B01	Suzuki	FCS-001	8970189181	Toyota/Lexus/Scion	FCT-017
17120-60A00	Suzuki	FCS-002	16210-04950	Toyota/Lexus/Scion	FCT-013
1712077E00	Suzuki	FCS-001	16210-08921	Toyota/Lexus/Scion	FCT-013
19189595	Toyota/Lexus/Scion	FCT-006	16210-0P010	Toyota/Lexus/Scion	FCT-072
19189595	Toyota/Lexus/Scion	FCT-023	162100W010	Toyota/Lexus/Scion	FCT-002
19189608	Toyota/Lexus/Scion	FCT-013	16210-0W010	Toyota/Lexus/Scion	FCT-013
19189631	Toyota/Lexus/Scion	FCT-024	16210-0W011	Toyota/Lexus/Scion	FCT-002
19189632	Toyota/Lexus/Scion	FCT-021	16210-16010	Toyota/Lexus/Scion	FCT-048
19189633	Toyota/Lexus/Scion	FCT-018	16210-18010	Toyota/Lexus/Scion	FCT-056
19189657	Toyota/Lexus/Scion	FCT-037	16210-26020	Toyota/Lexus/Scion	FCT-048





# Fan Clutch OEM Interchange

**O.E. Part #      Manufacturer      AISIN Part #**

16210-26021	Toyota/Lexus/Scion	FCT-048
16210-28020	Toyota/Lexus/Scion	FCT-048
16210-31010	Toyota/Lexus/Scion	FCT-019
16210-31020	Toyota/Lexus/Scion	FCT-072
16210-35020	Toyota/Lexus/Scion	FCT-043
16210-38020	Toyota/Lexus/Scion	FCT-025
16210-38023	Toyota/Lexus/Scion	FCT-001
16210-38024	Toyota/Lexus/Scion	FCT-025
16210-38024	Toyota/Lexus/Scion	FCT-001
16210-38050	Toyota/Lexus/Scion	FCT-001
16210-38050	Toyota/Lexus/Scion	FCT-025
16210-38050	Toyota/Lexus/Scion	FCT-001
16210-38060	Toyota/Lexus/Scion	FCT-003
16210-41150	Toyota/Lexus/Scion	FCT-044
16210-41160	Toyota/Lexus/Scion	FCT-044
16210-41160	Toyota/Lexus/Scion	FCT-060
16210-42030	Toyota/Lexus/Scion	FCT-060
16210-42060	Toyota/Lexus/Scion	FCT-007
16210-42070	Toyota/Lexus/Scion	FCT-050
16210-45090	Toyota/Lexus/Scion	FCT-044
16210-45090	Toyota/Lexus/Scion	FCT-060
16210-45100	Toyota/Lexus/Scion	FCT-044
16210-46030	Toyota/Lexus/Scion	FCT-023
16210-46040	Toyota/Lexus/Scion	FCT-006
16210-46040	Toyota/Lexus/Scion	FCT-023
16210-46042	Toyota/Lexus/Scion	FCT-006
16210-50020	Toyota/Lexus/Scion	FCT-014
16210-50021	Toyota/Lexus/Scion	FCT-014
16210-50050	Toyota/Lexus/Scion	FCT-021
16210-50051	Toyota/Lexus/Scion	FCT-021
16210-50080	Toyota/Lexus/Scion	FCT-024
16210-50090	Toyota/Lexus/Scion	FCT-018
16210-50101	Toyota/Lexus/Scion	FCT-075
16210-50102	Toyota/Lexus/Scion	FCT-075
16210-54070	Toyota/Lexus/Scion	FCT-025
16210-58012	Toyota/Lexus/Scion	FCT-057
16210-61021	Toyota/Lexus/Scion	FCT-017
16210-61070	Toyota/Lexus/Scion	FCT-017
16210-61071	Toyota/Lexus/Scion	FCT-017

**O.E. Part #      Manufacturer      AISIN Part #**

16210-61072	Toyota/Lexus/Scion	FCT-017
16210-61110	Toyota/Lexus/Scion	FCT-017
16210-61120	Toyota/Lexus/Scion	FCT-017
16210-61121	Toyota/Lexus/Scion	FCT-017
16210-61140	Toyota/Lexus/Scion	FCT-017
16210-61160	Toyota/Lexus/Scion	FCT-049
16210-62010	Toyota/Lexus/Scion	FCT-013
16210-62011	Toyota/Lexus/Scion	FCT-013
16210-62030	Toyota/Lexus/Scion	FCT-013
16210-65010	Toyota/Lexus/Scion	FCT-009
16210-65020	Toyota/Lexus/Scion	FCT-009
16210-65030	Toyota/Lexus/Scion	FCT-038
16210-66010	Toyota/Lexus/Scion	FCT-004
16210-66020	Toyota/Lexus/Scion	FCT-004
16210-73010	Toyota/Lexus/Scion	FCT-037
16210-75040	Toyota/Lexus/Scion	FCT-002
16210-75060	Toyota/Lexus/Scion	FCT-002
16210-75110	Toyota/Lexus/Scion	FCT-073
16210-75111	Toyota/Lexus/Scion	FCT-073
16210-76010	Toyota/Lexus/Scion	FCT-022
61210-43020	Toyota/Lexus/Scion	FCT-007
61210-43021	Toyota/Lexus/Scion	FCT-007
MD023698	Toyota/Lexus/Scion	FCT-037
1274938	Volvo	FCV-001
1274938	Volvo	FCV-002
12749388	Volvo	FCV-001
12749388	Volvo	FCV-002
13062591	Volvo	FCV-001
13062591	Volvo	FCV-002
13574330	Volvo	FCV-001
13574330	Volvo	FCV-002
13574331	Volvo	FCV-001
13574331	Volvo	FCV-002
19189658	Volvo	FCV-001
19189658	Volvo	FCV-002
1306259-0	Volvo	FCV-001
1306259-1	Volvo	FCV-001
1317465	Volvo	FCV-001
1357433-0	Volvo	FCV-002



# Water Pump Competitive Cross Reference

ACDELCO	AISIN	ACDELCO	AISIN	ACDELCO	AISIN	ACDELCO	AISIN	AIRTEX	AISIN
251-337	WPM-001	252-120	WPM-002	252-252	WPH-007	252-665	WPN-085	AW7108	WPM-009
251-354	WPT-017	252-121	WPF-013	252-253	WPT-002	252-665	WPN-706	AW7114	WPM-004
251-368	WPN-003	252-127	WPT-004	252-259	WPT-014	252-780	WPT-106	AW7114	WPM-010
251-368	WPN-031	252-128	WPN-024	252-261	WPD-013	252-785	WPT-006	AW7114	WPM-058
251-409	WPT-008	252-129	WPN-011	252-267	WPT-800	252-785	WPT-111	AW7115	WPM-001
251-409	WPT-022	252-134	WPT-007	252-267	WPT-802	252-786	WPN-089	AW7117	WPM-002
251-409	WPT-046	252-136	WPM-022	252-268	WPT-110	252-787	WPM-038	AW7120	WPM-022
251-437	WPZ-006	252-140	WPG-014	252-269	WPN-017	252-790	WPT-116	AW7121	WPM-013
251-441	WPT-021	252-141	WPT-020	252-270	WPN-014	252-791	WPN-800	AW7121	WPM-014
251-442	WPH-001	252-142	WPT-055	252-282	WPM-003	252-797	WPH-800	AW7121	WPM-030
251-442	WPH-010	252-150	WPT-025	252-314	WPF-008	252-830	WPH-044	AW7124	WPM-019
251-521	WPZ-002	252-150	WPT-068	252-316	WPT-023	252-840	WPM-057	AW7124	WPM-021
251-523	WPM-013	252-151	WPZ-012	252-321	WPT-033	252-842	WPZ-022	AW7147	WPM-045
251-523	WPM-014	252-157	WPT-029	252-322	WPZ-021	252-856	WPT-801	AW7148	WPM-003
251-523	WPM-030	252-158	WPH-013	252-322	WPZ-022	252-873	WPN-703	AW7148	WPM-048
251-529	WPM-004	252-159	WPS-004	252-328	WPT-032	252-880	WPV-803	AW7152	WPM-059
251-529	WPM-010	252-160	WPN-004	252-343	WPN-055	252-882	WPN-704	AW9009	WPN-032
251-529	WPM-058	252-161	WPH-008	252-344	WPN-060	252-900	WPN-705	AW9010	WPN-021
251-531	WPZ-001	252-162	WPF-007	252-347	WPM-048	252-903	WPH-802	AW9011	WPN-013
251-575	WPT-078	252-163	WPF-003	252-478	WPZ-024			AW9011	WPN-079
251-578	WPT-018	252-164	WPT-060	252-497	WPM-035	<b>AIRTEX</b>	<b>AISIN</b>	AW9012	WPT-085
251-578	WPT-108	252-165	WPH-003	252-497	WPM-059	AW1127	WPG-014	AW9015	WPT-031
251-592	WPS-006	252-173	WPT-010	252-499	WPT-057	AW7129	WPM-057	AW9017	WPT-017
251-643	WPS-007	252-173	WPTK-010	252-500	WPM-031	AW7135	WPM-045	AW9018	WPT-049
252-011	WPG-020	252-174	WPH-002	252-518	WPM-045	AW7152	WPM-035	AW9021	WPT-079
252-012	WPN-036	252-175	WPH-023	252-519	WPH-036	AW9031	WPN-032	AW9025	WPF-005
252-012	WPN-037	252-176	WPH-016	252-521	WPT-044	AW9034	WPH-025	AW9025	WPF-012
252-013	WPN-032	252-178	WPN-020	252-527	WPN-070	AW9069	WPH-001	AW9026	WPN-029
252-014	WPN-013	252-180	WPM-056	252-528	WPH-034	AW9087	WPT-056	AW9029	WPH-025
252-014	WPN-079	252-184	WPM-019	252-530	WPT-028	AW9170	WPT-084	AW9031	WPN-027
252-015	WPN-021	252-184	WPM-021	252-532	WPH-040	AW9247	WPT-028	AW9034	WPH-025
252-016	WPN-029	252-187	WPT-401	252-533	WPH-011	AW9248	WPT-028	AW9039N	WPT-065
252-018	WPN-027	252-193	WPN-064	252-539	WPT-048	AW9249	WPT-028	AW9040N	WPT-075
252-019	WPM-006	252-194	WPT-107	252-540	WPT-100	AW9250	WPT-028	AW9041	WPN-003
252-038	WPH-025	252-209	WPT-098	252-542	WP-8950	AW9285	WPV-800	AW9041	WPN-031
252-062	WPF-005	252-210	WPT-030	252-551	WPT-038	AW9285	WPV-802	AW9044	WPN-037
252-062	WPF-012	252-211	WPT-056	252-553	WPN-083	AW9285	WPV-804	AW9045	WPT-066
252-064	WPT-084	252-214	WPN-016	252-554	WPT-099	AW4049	WPZ-001	AW9046	WPT-052
252-066	WPT-063	252-215	WPN-059	252-555	WPT-011	AW4053	WPZ-002	AW9046	WPT-072
252-075	WPT-079	252-216	WPN-058	252-556	WPT-402	AW4061	WPT-401	AW9048	WPT-097
252-076	WPT-031	252-217	WPN-067	252-558	WPV-800	AW4068	WPZ-003	AW9050	WPZ-006
252-077	WPT-085	252-228	WPM-012	252-558	WPV-802	AW4078	WPZ-021	AW9056	WPH-012
252-079	WPT-049	252-229	WPZ-023	252-558	WPV-804	AW4082	WPT-402	AW9057	WPT-003
252-087	WPT-065	252-230	WPZ-003	252-559	WPV-801	AW4106	WP-8950	AW9057	WPT-008
252-088	WPM-009	252-233	WPH-005	252-560	WPH-042	AW5027	WPG-014	AW9057	WPT-022
252-091	WPT-067	252-234	WPH-001	252-627	WPT-003	AW5029	WPS-004	AW9057	WPT-046
252-093	WPT-075	252-235	WPF-002	252-627	WPT-090	AW5031	WPG-020	AW9057	WPT-090
252-094	WPT-097	252-236	WPS-002	252-637	WPT-066	AW5048	WPS-006	AW9058	WPN-019
252-096	WPH-012	252-237	WPS-002	252-638	WPT-052	AW5058	WPS-007	AW9059	WPT-004
252-102	WPG-004	252-239	WPH-006	252-638	WPT-072	AW6056	WPH-802	AW9063	WPN-024
252-106	WPN-033	252-243	WPN-081	252-642	WPM-055	AW6252	WPT-805	AW9064	WPT-021
252-118	WPT-013	252-246	WPF-006	252-649	WPT-016	AW6338	WPT-187	AW9069	WPH-001
252-119	WPN-019	252-250	WPN-001	252-653	WPM-033	AW7105	WPM-006	AW9069	WPH-010



# Water Pump Competitive Cross Reference

AIRTEX	AISIN	AIRTEX	AISIN	AIRTEX	AISIN	ASC	ASC	ASC	ASC
AW9074	WPN-011	AW9250	WPH-006	AW9414	WPT-801	WP617	WPT-052	WP770	WPN-058
AW9076	WPT-055	AW9252	WPN-081	AW9416	WPN-704	WP617	WPT-072	WP771	WPN-037
AW9080	WPF-007	AW9255	WPF-008	AW9419	WPH-044	WP618	WPT-065	WP772	WPN-033
AW9083	WPH-003	AW9256	WPT-110	AW9427	WPN-703	WP619	WPT-075	WP773	WPN-064
AW9087	WPT-060	AW9257	WPT-800	AW9460	WPM-035	WP628	WPG-014	WP774	WPN-067
AW9092	WPT-016	AW9258	WPT-002	AW9470	WPH-801	WP637	WPT-003	WP775	WPN-059
AW9093	WPF-013	AW9268	WPN-055			WP637	WPT-008	WP776	WPN-016
AW9094	WPT-067	AW9269	WPT-023			WP637	WPT-022	WP777	WPF-002
AW9097	WPH-008	AW9270	WPN-060			WP637	WPT-046	WP780	WPT-004
AW9098	WPT-107	AW9271	WPT-018			WP637	WPT-090	WP781	WPT-002
AW9099	WPT-010	AW9271	WPT-108			WP638	WPG-020	WP782	WPT-056
AW9099	WPTK-010	AW9272	WPT-033			WP639	WPS-004	WP783	WPT-107
AW9100	WPT-025	AW9272	WPT-078			WP642	WPZ-001	WP784	WPT-007
AW9100	WPT-068	AW9288	WPH-036			WP652	WPZ-002	WP785	WPT-013
AW9104	WPN-004	AW9291	WPT-032			WP661	WPM-004	WP786	WPT-098
AW9110	WPN-064	AW9292	WPT-038			WP661	WPM-010	WP787	WPT-030
AW9111	WPZ-012	AW9293	WPT-044			WP661	WPM-058	WP789	WPT-010
AW9114	WPN-033	AW9304	WPN-083			WP662	WPM-013	WP789	WPTK-010
AW9115	WPH-013	AW9306	WPT-057			WP662	WPM-014	WP792	WPT-029
AW9116	WPN-020	AW9309	WPN-070			WP662	WPM-030	WP825	WPS-007
AW9129	WPH-016	AW9310	WPM-031			WP663	WPH-008	WP833	WPZ-003
AW9130	WPH-002	AW9318	WPZ-024			WP666	WPH-013	WP852	WPM-003
AW9131	WPH-023	AW9320	WPT-099			WP667	WPM-002	WP860	WPM-012
AW9132	WPG-004	AW9321	WPH-034			WP671	WPH-003	WP861	WPN-014
AW9140	WPT-056	AW9324	WPT-100			WP672	WPG-004	WP862	WPN-001
AW9141	WPT-007	AW9325	WPT-048			WP674	WPZ-006	WP863	WPF-006
AW9142	WPT-098	AW9328	WPZ-022			WP682	WPF-007	WP864	WPT-014
AW9145	WPT-030	AW9334	WPT-011			WP683	WPF-003	WP865	WPH-007
AW9155	WPT-029	AW9337	WPT-028			WP685	WPT-055	WP867	WPH-005
AW9161	WPF-003	AW9338	WPN-085			WP686	WPT-016	WP875	WPH-006
AW9162	WPN-067	AW9338	WPN-706			WP687	WPT-097	WP877	WPN-081
AW9166	WPZ-023	AW9339	WPV-800			WP690	WPT-025	WP878	WPF-008
AW9168	WPM-056	AW9339	WPV-802			WP690	WPT-068	WP878	WPF-008
AW9179	WPN-036	AW9339	WPV-804			WP691	WPT-060	WP895	WPT-018
AW9180	WPT-084	AW9340	WPV-801			WP692	WPN-024	WP895	WPT-108
AW9189	WPT-020	AW9347	WPH-004			WP693	WPN-019	WP896	WPT-033
AW9189	WPT-063	AW9347	WPH-040			WP694	WPN-011	WP896	WPT-078
AW9200	WPT-013	AW9348	WPH-040			WP694	WPN-011	WP897	WPZ-021
AW9201	WPN-016	AW9352	WPH-011			WP695	WPN-004	WP897	WPZ-022
AW9206	WPN-059	AW9354	WPH-042			WP698	WPT-020	WP898	WPN-060
AW9207	WPN-058	AW9359	WPM-055			WP698	WPT-063	WP9010	WPH-004
AW9209	WPH-001	AW9360	WPM-033			WP702	WPZ-012	WP9010	WPH-040
AW9212	WPM-012	AW9365	WPG-030			WP710	WPS-006	WP9021	WPH-800
AW9213	WPN-014	AW9367	WPT-006			WP727	WPM-019	WP9025	WPM-059
AW9214	WPN-001	AW9376	WPT-106			WP727	WPM-021	WP9027	WPD-013
AW9215	WPF-006	AW9382	WPV-803			WP743	WPT-401	WP9029	WPM-048
AW9216	WPT-014	AW9383	WPH-800			WP755	WPM-056	WP9030	WPT-402
AW9218	WPH-007	AW9388	WPN-089			WP756	WPH-002	WP9049	WPN-017
AW9223	WPF-002	AW9389	WPM-038			WP757	WPH-023	WP9051	WPT-057
AW9224	WPH-005	AW9395	WPT-116			WP758	WPH-016	WP9052	WPT-800
AW9232	WPS-002	AW9399	WPM-057			WP759	WPH-001	WP-9052	WPT-800
AW9238	WPD-013	AW9402	WPN-800			WP764	WPZ-023	WP9053	WPT-110
AW9239	WPN-017	AW9406	WPT-111			WP766	WPM-022	WP9054	WPT-067
						WP769	WPN-020	WP9066	WPF-013



# Water Pump Competitive Cross Reference

ASC	AISIN	BECK ARNLEY	AISIN	BECK ARNLEY	AISIN	BECK ARNLEY	AISIN	BECK ARNLEY	AISIN
WP9072	WPT-023	1312304	WPN-705	131-2004	WPT-046	131-2120	WPN-001	131-2263	WPT-006
WP9073	WPT-032	5543126	WPT-021	131-2004	WPT-090	131-2128	WPZ-003	131-2265	WPM-057
WP9074	WPT-084	130-0187	WPT-802	131-2008	WPN-016	131-2131	WPT-002	1312269	WPG-030
WP9078	WPV-800	131-0366	WPN-021	131-2008	WPN-019	131-2132	WPT-014	131-2269	WPG-030
WP9078	WPV-802	131-0416	WPN-013	131-2011	WPT-055	131-2136	WPH-006	131-2270	WPN-800
WP9078	WPV-804	131-0416	WPN-079	131-2017	WPN-011	131-2139	WPT-099	131-2271	WPH-044
WP9087	WPZ-024	131-0606	WPN-036	131-2019	WPT-056	131-2143	WPH-004	131-2276	WPV-801
WP9091	WPT-028	131-0671	WPT-085	131-2019	WPT-060	131-2143	WPH-040	131-2282	WPH-802
WP9095	WPH-034	131-0713	WPN-032	131-2020	WPS-004	131-2144	WPM-045	131-2285	WPH-801
WP9096	WPT-006	131-1117	WPT-084	131-2021	WPF-003	131-2145	WPN-060	131-2289	WPN-703
WP9096	WPT-011	131-1125	WPT-063	131-2022	WPN-024	131-2148	WPT-018	131-2294	WPN-704
WP9110	WPV-801	131-1182	WPM-022	131-2023	WPH-003	131-2148	WPT-108	5563135	WPN-085
WP9115	WPS-002	131-1216	WPH-025	131-2025	WPZ-012	131-2151	WPM-003		
WP9120	WPH-011	131-1505	WPT-079	131-2027	WPF-007	131-2151	WPM-048	<b>BOSCH</b>	<b>AISIN</b>
WP9122	WPN-070	131-1539	WPT-017	131-2032	WPH-001	131-2154	WPV-803	97224	WPG-030
WP9124	WPM-045	131-1554	WPN-029	131-2033	WPT-107	131-2155	WPT-800	<b>CARDONE</b>	<b>AISIN</b>
WP9135	WPN-085	131-1588	WPT-031	131-2034	WPH-013	131-2160	WPH-036		
WP-9135	WPN-706	131-1596	WPM-006	131-2037	WPZ-001	131-2163	WPH-007	58-654	WPG-027
WP9138	WPM-055	131-1638	WPH-025	131-2038	WPN-020	131-2164	WPZ-021	323027	WPN-085
WP9147	WPN-055	131-1661	WPT-049	131-2042	WPN-064	131-2164	WPZ-022	55-1295	WPH-001
WP9148	WPH-036	131-1752	WPN-027	131-2046	WPT-025	131-2167	WPT-023	5513123	WPG-014
WP9149	WPT-038	131-1924	WPG-014	131-2046	WPT-068	131-2169	WPH-010	5513125	WPS-004
WP9150	WPT-044	131-1932	WPF-005	131-2047	WPH-008	131-2170	WPT-033	5513130	WPS-006
WP9151	WPN-083	131-1932	WPF-012	131-2048	WPT-029	131-2170	WPT-078	5513132	WPS-007
WP9152	WPT-100	131-1936	WPZ-006	131-2049	WPH-023	131-2171	WPH-034	5513412	WPT-106
WP9153	WPT-048	131-1940	WPT-067	131-2050	WPH-002	131-2174	WPN-055	5513612	WPG-020
WP9156	WP-8950	131-1949	WPM-001	131-2051	WPH-016	131-2176	WPZ-024	5523118	WPZ-001
WP-9156	WP-8950	131-1950	WPN-003	131-2054	WPM-013	131-2178	WPN-070	5523124	WPT-401
WP9157	WPH-042	131-1950	WPN-031	131-2054	WPM-014	131-2182	WPV-800	5523125	WPZ-003
WP9158	WPT-099	131-1953	WPM-009	131-2054	WPM-030	131-2182	WPV-802	5523126	WPZ-021
WP9160	WPH-040	131-1954	WPT-066	131-2055	WPN-004	131-2182	WPV-804	5523127	WPT-402
WP9171	WPM-033	131-1961	WPN-033	131-2056	WPZ-002	131-2186	WPT-011	5523513	WP-8950
WP9173	WPT-106	131-1963	WPM-004	131-2061	WPM-012	131-2187	WPN-081	5523611	WPZ-002
WP9174	WPM-038	131-1963	WPM-010	131-2069	WPN-067	131-2190	WPF-006	5533121	WPM-009
WP9175	WPT-116	131-1963	WPM-058	131-2070	WPN-058	131-2192	WPF-008	5533124	WPM-004
WP9176	WPN-800	131-1965	WPG-004	131-2071	WPD-013	131-2194	WPT-057	5533124	WPM-058
WP9187	WPT-111	131-1970	WPM-002	131-2073	WPT-010	131-2202	WPH-042	5533125	WPM-001
WP9207	WPH-044	131-1972	WPT-065	131-2073	WPTK-010	131-2204	WPT-044	5533127	WPM-002
WP9256	WPM-031	131-1974	WPN-037	131-2075	WPF-013	131-2208	WPH-040	5533128	WPM-010
WP9304	WPM-057	131-1975	WPT-052	131-2076	WPN-059	131-2210	WPT-048	5533129	WPM-022
WP9305	WPM-035	131-1975	WPT-072	131-2082	WPH-005	131-2213	WPH-011	5533131	WPM-021
WP9322	WPT-801	131-1978	WPT-075	131-2083	WPT-098	131-2216	WPT-100	5533139	WPM-003
WP9330	WPZ-022	131-1979	WPT-097	131-2084	WPT-030	131-2217	WPT-038	5533139	WPM-048
WP9333	WPN-089	131-1993	WPT-028	131-2087	WPH-001	131-2217	WPT-110	5533141	WPM-056
WP9336	WPV-803	131-1998	WPT-004	131-2090	WPS-007	131-2218	WPM-033	5533147	WPM-006
WP-9349	WPN-704	131-1999	WPH-012	131-2102	WPF-002	131-2219	WPM-035	5533411	WPM-013
WP-9350	WPN-703	131-2000	WPG-020	131-2103	WPM-056	131-2219	WPM-059	5533411	WPM-014
WP9363	WPH-801	131-2001	WPT-007	131-2106	WPN-017	131-2228	WPM-055	5533415	WPM-035
		131-2002	WPT-013	131-2107	WPN-014	131-2238	WPT-106	5533415	WPM-059
		131-2003	WPT-016	131-2109	WPZ-023	131-2239	WPM-038	5533612	WPM-045
<b>BECK ARNLEY</b>	<b>AISIN</b>	131-2004	WPT-003	131-2111	WPS-006	131-2240	WPN-089	5543103	WPT-016
1312139	WPT-032	131-2004	WPT-008	131-2117	WPM-019	131-2241	WPM-031	5543113	WPT-085
1312234	WPN-706	131-2004	WPT-022	131-2117	WPM-021	131-2256	WPH-800	5543114	WPT-031
1312254	WPN-083								





# Water Pump Competitive Cross Reference

CARDONE	AISIN	CARDONE	AISIN	CARDONE	AISIN	CARDONE SELECT	AISIN	CARDONE SELECT	AISIN
5543116	WPT-017	5553117	WPH-003	5573125	WPD-013	5533415	WPM-059	5543415	WPT-002
5543117	WPT-049	5553168	WPH-006	5573129	WPZ-024	5533611	WPM-003	5543418	WPT-032
5543118	WPT-079	5553411	WPH-008	5573131	WPM-055	5533611	WPM-045	5543419	WPT-057
5543121	WPT-065	5553412	WPH-007	5573135	WPM-038	5533612	WPM-003	5543419	WPT-099
5543122	WPT-075	5553412	WPH-036	5573139	WPZ-022	5533612	WPM-045	5543419	WPT-106
5543123	WPT-066	5553416	WPT-100	5573141	WPM-057	5543103	WPT-016	5543511	WPT-011
5543124	WPT-052	5553417	WPT-048	5573411	WPF-006	5543113	WPT-085	5543512	WPT-006
5543124	WPT-072	5553418	WPH-040	5573412	WPF-002	5543114	WPT-031	5543512	WPT-011
5543125	WPT-003	5553420	WPG-030	5573412	WPF-008	5543116	WPT-017	5543611	WPT-097
5543125	WPT-008	5553421	WPH-800	5573415	WPM-031	5543117	WPT-049	5543612	WPT-010
5543125	WPT-022	5553423	WPH-801	5573512	WPF-005	5543118	WPT-079	5543612	WPT-060
5543125	WPT-090	5553612	WPH-013	5573512	WPF-012	5543121	WPT-065	5543612	WPTK-010
5543126	WPT-021	5553613	WPH-016	5573513	WPF-013	5543122	WPT-075	5543614	WPT-056
5543128	WPT-055	5553614	WPH-002	5573612	WPZ-012	5543123	WPT-066	5543614	WPT-060
5543131	WPT-067	5553615	WPH-023	5573615	WPM-033	5543124	WPT-052	5553111	WPH-025
5543132	WPT-107	5553617	WPH-005	5583615	WPV-800	5543124	WPT-072	5553116	WPH-012
5543133	WPT-025	5553618	WPH-006	5583615	WPV-802	5543125	WPT-003	5553117	WPH-003
5543133	WPT-068	5553618	WPH-034	5583615	WPV-804	5543125	WPT-008	5553119	WPH-025
5543134	WPT-007	5553620	WPH-004	5583625	WPV-803	5543125	WPT-022	5553168	WPH-006
5543135	WPT-029	5553625	WPH-011	58-611	WPG-028	5543125	WPT-046	5553411	WPH-008
5543137	WPT-020	5553630	WPH-010			5543125	WPT-090	5553412	WPH-007
5543137	WPT-063	5563112	WPN-021	<b>CARDONE SELECT</b>	<b>AISIN</b>	5543126	WPT-021	5553412	WPH-036
5543138	WPT-013	5563113	WPN-013	5513123	WPG-014	5543128	WPT-055	5553415	WPH-036
5543139	WPT-014	5563113	WPN-079	5513125	WPS-004	5543131	WPT-067	5553416	WPT-100
5543140	WPT-110	5563114	WPN-029	5513130	WPS-006	5543132	WPT-107	5553417	WPT-048
5543141	WPT-023	5563115	WPN-020	5513132	WPS-007	5543133	WPT-025	5553418	WPH-040
5543142	WPT-018	5563115	WPN-024	5513412	WPT-106	5543133	WPT-068	5553419	WPH-042
5543142	WPT-108	5563116	WPN-019	5513612	WPG-020	5543134	WPT-007	5553420	WPG-030
5543143	WPT-033	5563118	WPN-011	5523118	WPZ-001	5543135	WPT-029	5553421	WPH-800
5543143	WPT-078	5563121	WPN-033	5523124	WPT-401	5543136	WPT-020	5553423	WPH-801
5543144	WPT-038	5563123	WPN-067	5523125	WPZ-003	5543137	WPT-020	5553611	WPH-001
5543145	WPT-044	5563124	WPN-036	5523126	WPZ-021	5543137	WPT-063	5553611	WPH-010
5543147	WPT-028	5563126	WPN-059	5523127	WPT-402	5543138	WPT-013	5553612	WPH-013
5543148	WPT-116	5563127	WPN-058	5523513	WP-8950	5543139	WPT-014	5553613	WPH-016
5543150	WPT-084	5563128	WPN-014	5523611	WPZ-002	5543140	WPT-110	5553614	WPH-002
5543153	WPT-801	5563129	WPN-001	5533119	WPM-006	5543141	WPT-023	5553615	WPH-023
5543155	WPT-111	5563130	WPN-017	5533121	WPM-009	5543142	WPT-018	5553616	WPH-001
5543411	WPT-004	5563131	WPN-081	5533124	WPM-004	5543142	WPT-108	5553617	WPH-005
5543412	WPT-099	5563132	WPN-055	5533124	WPM-058	5543143	WPT-033	5553618	WPH-006
5543413	WPT-030	5563134	WPN-083	5533125	WPM-001	5543143	WPT-078	5553618	WPH-034
5543413	WPT-032	5563136	WPN-089	5533127	WPM-002	5543144	WPT-038	5553620	WPH-004
5543414	WPT-800	5563137	WPN-800	5533128	WPM-010	5543145	WPT-044	5553623	WPH-034
5543415	WPT-002	5563138	WPN-060	5533128	WPM-010	5543145	WPT-044	5553623	WPH-034
5543419	WPT-057	5563138	WPN-060	5533129	WPM-022	5543147	WPT-028	5553625	WPH-011
5543512	WPT-006	5563611	WPN-037	5533129	WPM-022	5543147	WPT-028	5553625	WPH-011
5543611	WPT-097	5563611	WPN-037	5533131	WPM-019	5543148	WPT-116	5553626	WPH-044
5543611	WPT-098	5563711	WPN-032	5533131	WPM-021	5543150	WPT-084	5553630	WPH-010
5543612	WPT-010	5563712	WPN-027	5533139	WPM-003	5543153	WPT-801	5563112	WPN-021
5543612	WPT-060	5563713	WPN-070	5533139	WPM-048	5543155	WPT-111	5563113	WPN-013
5543612	WPTK-010	5573112	WPZ-006	5533141	WPM-056	5543157	WPT-046	5563113	WPN-079
5543614	WPT-056	5573113	WPF-007	5533147	WPM-006	5543411	WPT-004	5563115	WPN-020
5553111	WPH-025	5573117	WPG-004	5533411	WPM-013	5543412	WPT-099	5563115	WPN-024
5553116	WPH-012	5573119	WPF-003	5533411	WPM-014	5543413	WPT-030	5563116	WPN-019
		5573120	WPZ-023	5533412	WPM-057	5543413	WPT-032	5563117	WPN-024
		5573122	WPM-012	5533415	WPM-035	5543414	WPT-800	5563118	WPN-011





# Water Pump Competitive Cross Reference

CARDONE SELECT	AISIN	CARDONE SELECT	AISIN	CARQUEST	AISIN	CARQUEST	AISIN	CARQUEST	AISIN
5563120	WPN-064	5573615	WPM-033	9025	WPF-012	9179	WPN-036	9354	WPH-042
5563121	WPN-033	5583615	WPV-800	9029	WPH-025	9189	WPT-020	9359	WPM-055
5563122	WPN-020	5583615	WPV-802	9031	WPN-027	9189	WPT-063	9360	WPM-033
5563123	WPN-067	5583615	WPV-804	9041	WPN-003	9200	WPT-013	9367	WPT-006
5563124	WPN-036	5583625	WPV-803	9041	WPN-031	9201	WPN-016	9376	WPT-106
5563125	WPN-016	55-33411	WPM-030	9044	WPN-037	9206	WPN-059	9382	WPV-803
5563126	WPN-059	55-53122	WPH-802	9045	WPN-066	9207	WPN-058	9388	WPN-089
5563126	WPN-067	55-63115	WPN-003	9046	WPT-052	9209	WPH-001	9389	WPM-038
5563126	WPN-700	55-63115	WPN-031	9046	WPT-072	9212	WPM-012	9395	WPT-116
5563127	WPN-058	55-63119	WPN-004	9048	WPT-097	9213	WPN-014	9402	WPN-800
5563128	WPN-014	58-611	WPG-028	9050	WPZ-006	9214	WPN-001	9406	WPT-111
5563129	WPN-001	58-654	WPG-027	9056	WPH-012	9215	WPF-006	9414	WPT-801
5563130	WPN-017			9057	WPT-003	9216	WPT-014	9419	WPH-044
5563131	WPN-081	<b>CARQUEST</b>	<b>AISIN</b>	9057	WPT-008	9218	WPH-007	512152	WPM-057
5563132	WPN-055	4049	WPZ-001	9057	WPT-022	9223	WPF-002	1311117	WPT-084
5563133	WPN-060	4053	WPZ-002	9057	WPT-046	9224	WPH-005	131-2151	WPM-003
5563134	WPN-083	4061	WPT-401	9057	WPT-090	9232	WPS-002	131-2186	WPT-011
5563135	WPN-085	4068	WPZ-003	9058	WPN-019	9239	WPN-017	131-2256	WPH-800
5563135	WPN-706	4078	WPZ-021	9059	WPT-004	9250	WPH-006	4078	WPZ-022
5563136	WPN-089	4082	WPT-402	9063	WPN-024	9252	WPN-081	51-2192	WPM-035
5563137	WPN-800	4106	WP-8950	9064	WPT-021	9255	WPF-008	51-2235	WPH-801
5563138	WPN-060	5027	WPG-014	9069	WPH-010	9256	WPT-110	51-2577	WPT-187
5563140	WPN-705	5029	WPS-004	9074	WPN-011	9257	WPT-800	9026	WPN-029
5563143	WPN-704	5031	WPG-020	9076	WPT-055	9258	WPT-002	9034	WPH-025
5563411	WPN-703	5048	WPS-006	9080	WPF-007	9268	WPN-055	9039N	WPT-065
5563611	WPN-037	5058	WPS-007	9083	WPH-003	9269	WPT-023	9040N	WPT-075
5563612	WPN-702	6056	WPH-802	9087	WPT-060	9270	WPN-060	9069	WPH-001
5563711	WPN-027	7105	WPM-006	9092	WPT-016	9271	WPT-018	9142	WPT-098
5563711	WPN-032	7108	WPM-009	9093	WPF-013	9271	WPT-108	9166	WPZ-023
5563712	WPN-027	7114	WPM-004	9094	WPT-067	9272	WPT-033	9238	WPD-013
5563712	WPN-032	7114	WPM-010	9097	WPH-008	9272	WPT-078	9318	WPZ-024
5563713	WPN-070	7114	WPM-058	9098	WPT-107	9288	WPH-036		
5573112	WPZ-006	7115	WPM-001	9099	WPT-010	9291	WPT-032	<b>EASTERN</b>	<b>AISIN</b>
5573113	WPF-007	7117	WPM-002	9099	WPTK-010	9292	WPT-038	18012	WPT-085
5573117	WPG-004	7120	WPM-022	9100	WPT-025	9293	WPT-044	18027	WPN-036
5573119	WPF-003	7121	WPM-013	9100	WPT-068	9304	WPN-083	18027	WPN-037
5573122	WPM-012	7121	WPM-014	9104	WPN-004	9306	WPT-057	18028	WPN-032
5573131	WPM-055	7121	WPM-030	9110	WPN-064	9309	WPN-070	18031	WPN-013
5573135	WPM-038	7124	WPM-019	9111	WPZ-012	9310	WPM-031	18031	WPN-079
5573139	WPZ-022	7124	WPM-021	9114	WPN-033	9320	WPT-099	18033	WPN-021
5573141	WPM-057	7147	WPM-045	9115	WPH-013	9321	WPH-034	18036	WPN-032
5573143	WPM-012	7148	WPM-048	9116	WPN-020	9324	WPT-100	18041	WPN-027
5573145	WPS-002	7152	WPM-059	9129	WPH-016	9325	WPT-048	18041	WPN-032
5573411	WPF-006	9009	WPN-032	9130	WPH-002	9328	WPZ-022	18043	WPM-006
5573412	WPF-002	9010	WPN-021	9131	WPH-023	9337	WPT-028	18076	WPH-025
5573412	WPF-008	9011	WPN-013	9132	WPG-004	9338	WPN-085	18133	WPF-005
5573414	WPF-006	9011	WPN-079	9140	WPT-056	9339	WPV-800	18133	WPF-012
5573414	WPF-008	9012	WPT-085	9141	WPT-007	9339	WPV-802	18139	WPT-084
5573415	WPM-031	9015	WPT-031	9145	WPT-030	9339	WPV-804	18144	WPT-084
5573512	WPF-005	9017	WPT-017	9155	WPT-029	9340	WPV-801	18149	WPT-063
5573512	WPF-012	9018	WPT-049	9161	WPF-003	9347	WPH-004	18170	WPT-079
5573513	WPF-013	9021	WPT-079	9162	WPN-067	9348	WPH-040	18171	WPT-031
5573612	WPZ-012	9025	WPF-005	9168	WPM-056	9352	WPH-011	18172	WPT-085



# Water Pump Competitive Cross Reference

EASTERN	AISIN	EASTERN	AISIN	EASTERN	AISIN	EASTERN	AISIN	GATES	AISIN
18175	WPT-049	18433	WPN-004	181112	WPT-033	181713	WPT-801	41089	WPT-067
18206	WPT-065	18434	WPH-008	181112	WPT-078	181733	WPH-004	41090	WPT-021
18207	WPN-003	18436	WPF-007	181113	WPZ-021	181736	WPM-057	41095	WPH-013
18207	WPN-031	18437	WPF-003	181121	WPH-006	181745	WPN-703	41097	WPT-003
18212	WPM-001	18438	WPT-056	181121	WPT-002	181757	WPT-111	41097	WPT-008
18213	WPM-009	18438	WPT-060	181122	WPT-032	181772	WPV-803	41097	WPT-022
18241	WPT-067	18443	WPH-003	181155	WPN-055	181774	WPN-704	41097	WPT-046
18242	WPT-052	18474	WPZ-001	181158	WPN-060	181905	WPT-802	41097	WPT-090
18242	WPT-072	18481	WPT-010	181165	WPM-003	181915	WPH-801	41098	WPT-025
18243	WPT-021	18481	WPTK-010	181165	WPM-048	181938	WPN-705	41098	WPT-068
18245	WPT-075	18487	WPH-002	181386	WPM-059	181982	WPT-140	41101	WPT-106
18246	WPT-097	18488	WPH-023	181390	WPT-057	181989	WPN-707	41103	WPH-004
18247	WPN-037	18489	WPH-016	181391	WPM-031	182010	WPT-805	41106	WPH-034
18248	WPM-004	18497	WPN-020	181431	WPM-003	18-1104	WPF-006	41110	WPV-800
18248	WPM-010	18499	WPM-056	181431	WPM-045	18-1331	WPV-800	41110	WPV-802
18248	WPM-058	18513	WPM-019	181432	WPH-036	18-1331	WPV-802	41110	WPV-804
18251	WPH-012	18513	WPM-021	181436	WPT-044	18-1331	WPV-804	41115	WPH-044
18252	WPZ-006	18529	WPZ-002	181442	WPN-070	18034	WPN-029	41116	WPZ-022
18264	WPG-004	18532	WPT-401	181443	WPH-034	181113	WPZ-022	41125	WPT-006
18266	WPT-017	18571	WPN-064	181445	WPT-028	181367	WPZ-024	41128	WPV-801
18267	WPT-066	18574	WPT-107	181447	WPH-040	18-1386	WPM-035	41130	WPN-032
18270	WPN-033	18582	WPS-007	181448	WPH-011	18-1486	WP-8950	41132	WPN-013
18310	WPT-003	18612	WPT-030	181483	WPT-048	18-1943	WPH-802	41132	WPN-079
18310	WPT-008	18614	WPT-056	181484	WPT-100	18447	WPH-040	41133	WPN-033
18310	WPT-022	18615	WPS-006	181484	WPT-100	18611	WPT-098	41134	WPN-037
18310	WPT-046	18620	WPN-016	181495	WPT-038	18654	WPZ-023	41135	WPN-024
18310	WPT-090	18621	WPN-059	181497	WPN-083	18844	WPT-002	41136	WPN-020
18312	WPT-013	18621	WPN-700	181498	WPT-099	18907	WPD-013	41137	WPN-011
18313	WPN-004	18622	WPN-058	181499	WPT-011			41138	WPN-014
18313	WPN-019	18623	WPN-067	181500	WPT-011			41139	WPN-064
18314	WPM-002	18650	WPM-012	181500	WPT-402	<b>GATES</b>	<b> AISIN</b>	41143	WPM-006
18316	WPH-001	18655	WPZ-003	181501	WPT-011	41034	WPH-025	41145	WPT-066
18316	WPH-010	18670	WPH-005	181503	WPV-800	41037	WPH-012	41147	WPT-016
18317	WPF-013	18671	WPH-001	181503	WPV-802	41038	WPH-001	41148	WPT-013
18325	WPT-016	18677	WPS-002	181503	WPV-804	41038	WPH-010	41148	WPT-013
18332	WPT-004	18707	WPH-006	181503	WPV-801	41039	WPH-003	41149	WPT-107
18335	WPN-024	18713	WPN-081	181536	WPV-801	41040	WPH-002	41159	WPT-011
18336	WPN-011	18763	WPF-002	181546	WPH-042	41040	WPH-002	41162	WPN-059
18342	WPT-007	18763	WPF-002	181547	WPM-055	41041	WPH-005	41163	WPN-060
18343	WPG-020	18763	WPF-002	181548	WPM-033	41042	WPH-001	41163	WPN-060
18353	WPM-022	18813	WPF-006	181548	WPM-033	41043	WPH-016	41164	WPN-070
18355	WPM-013	18823	WPN-001	181550	WPN-085	41044	WPH-023	41165	WPF-007
18355	WPM-014	18826	WPH-007	181550	WPN-706	41045	WPH-006	41171	WPT-065
18355	WPM-030	18844	WPT-002	181591	WPT-006	41048	WPH-011	41179	WPT-801
18370	WPG-014	18893	WPT-014	181591	WPT-011	41052	WPG-020	41184	WPH-801
18377	WPT-020	18910	WPM-057	181592	WPT-106	41052	WPG-020	41195	WPN-706
18378	WPT-055	18925	WPT-800	181593	WPN-089	41060	WPZ-006	42093	WPG-014
18388	WPT-025	18926	WPT-110	181594	WPM-038	41068	WPN-021	42108	WPH-008
18388	WPT-068	18931	WPN-017	181598	WPT-116	41071	WPN-003	42127	WPZ-012
18389	WPZ-012	18932	WPN-014	181599	WPM-055	41071	WPN-031	42128	WPZ-001
18426	WPT-029	18932	WPN-014	181599	WPM-055	41071	WPN-031	42128	WPZ-001
18429	WPH-013	181063	WPM-003	181599	WPT-006	41071	WPT-007	42129	WPZ-002
18430	WPS-004	181104	WPF-008	181603	WPH-800	41073	WPN-058	42131	WPZ-003
		181106	WPT-023	181646	WPH-044	41075	WPN-001	42135	WPZ-021
		181111	WPT-018	181647	WPN-702	41076	WPN-067	42156	WPM-001
		181111	WPT-108	181685	WPM-057	41078	WPN-800	42157	WPM-009
				181699	WPZ-022	41084	WPS-004		



# Water Pump Competitive Cross Reference

GATES	AISIN	GATES	AISIN	GATES	AISIN	GMB	AISIN	GMB	AISIN
42159	WPM-004	42254	WPT-048	43528	WPT-802	135-1360	WPH-036	148-2280	WPM-033
42159	WPM-010	42255	WPT-110	43531	WPV-803	135-1390	WPH-011	150-1010	WPN-036
42159	WPM-058	42256	WPT-099	43537	WPN-705	135-1500	WPH-054	150-1020	WPN-021
42162	WPM-013	42257	WPT-038	43538	WPT-803	135-1530	WPH-801	150-1030	WPN-032
42162	WPM-014	42280	WPM-033	43551	WPM-013	135-1530	WPH-802	150-1160	WPN-013
42162	WPM-030	42282	WPF-006	44047	WPH-007	135-2200	WPH-034	150-1160	WPN-079
42163	WPM-012	42284	WPS-006	44048	WPH-036	135-2220	WPH-040	150-1173	WPN-027
42164	WPM-056	42286	WPM-057	44049	WPH-040	135-2360	WPH-042	150-1200	WPN-033
42165	WPM-003	42290	WPT-804	44085	WPT-800	135-2380	WPH-800	150-1240	WPN-003
42165	WPM-045	42297	WPG-030	43106P	WPN-060	135-2420	WPH-044	150-1240	WPN-031
42166	WPM-003	42305	WPT-002	41103/43134	WPH-004	135-2430	WPH-004	150-1260	WPN-037
42166	WPM-048	42307	WPT-116	41103/43134	WPH-040	135-2430	WPH-040	150-1280	WPN-019
42167	WPM-057	42316	WPH-800	41131	WPN-029	135-6980	WPH-802	150-1310	WPN-024
42168	WPM-035	42319	WPT-018	41196	WPH-802	140-1200	WPG-004	150-1350	WPN-020
42168	WPM-059	42319	WPT-108	42045	WPD-013	140-1300	WPG-020	150-1360	WPN-011
42169	WPM-003	42324	WPN-036	42132	WPZ-023	1401440	WPG-030	150-1390	WPN-058
42169	WPM-045	42330	WPT-056	42137	WPZ-024	140-1440	WPG-030	150-1400	WPN-059
42170	WPM-055	42331	WPT-056	42165/42169	WPM-003	145-1210	WPZ-006	150-1410	WPN-004
42171	WPM-031	42331	WPT-060	42165/42169	WPM-045	145-1230	WPZ-012	150-1420	WPN-001
42172	WPM-038	42335	WPN-083	42242	WPT-098	145-1290	WPZ-012	150-1430	WPN-067
42173	WPM-019	42336	WPF-006	43106/43106P	WPN-060	145-1310	WPZ-001	150-1480	WPN-014
42173	WPM-021	42336	WPF-008			145-1320	WPZ-002	150-1500	WPN-060
42178	WPN-027	42337	WPT-017			145-1350	WPZ-003	150-1510	WPN-070
42178	WPN-032	42338	WPT-097			145-1360	WPZ-023	150-1610	WPN-085
42181	WPN-019	42339	WPT-007			145-1410	WPZ-021	150-2150	WPN-016
42188	WPN-017	42340	WPT-057			145-1410	WPZ-022	150-2200	WPN-081
42189	WPN-055	42565	WPT-084			145-1430	WPZ-024	150-2210	WPN-017
42192	WPN-089	42568	WPT-063			146-2060	WPM-001	150-2215	WPN-055
42203	WPF-005	43087	WPT-401			148-1120	WPM-006	150-2230	WPN-064
42203	WPF-012	43089	WPT-402			148-1170	WPM-001	150-2270	WPN-083
42206	WPF-013	43106	WPN-060			148-1190	WPM-009	150-2280	WPN-089
42207	WPF-002	43107	WPN-060			148-1230	WPM-004	150-2290	WPN-800
42208	WPF-003	43108	WPN-060			148-1230	WPM-010	160-1030	WPF-005
42212	WPS-007	43109	WPN-060			148-1230	WPM-058	160-1030	WPF-012
42214	WPT-085	43110	WPN-060			148-1370	WPM-022	160-1060	WPF-013
42216	WPM-022	43111	WPN-060			148-1390	WPM-002	160-1120	WPF-002
42217	WPT-079	43112	WPN-060			148-1400	WPM-013	160-1130	WPF-003
42221	WPT-031	43131	WP-8950			148-1400	WPM-014	160-1140	WPF-007
42222	WPT-049	43133	WPH-042			148-1400	WPM-030	160-2040	WPF-006
42228	WPT-052	43134	WPH-004			148-1440	WPM-012	160-2060	WPF-008
42228	WPT-072	43136	WPG-004			148-1450	WPM-056	165-1080	WPS-004
42230	WPT-075	43210	WPT-020			148-1470	WPM-045	165-1150	WPS-007
42232	WPN-016	43213	WPT-014			148-1480	WPM-003	165-1160	WPS-006
42237	WPT-055	43255	WPN-085			148-1480	WPM-048	170-1010	WPT-085
42240	WPT-010	43255	WPN-706			148-1500	WPM-057	170-1090	WPT-079
42240	WPTK-010	43289	WPT-004			148-1510	WPM-035	170-1220	WPT-020
42243	WPT-030	43291	WPT-044			148-1510	WPM-059	170-1280	WPT-084
42245	WPT-033	43300	WPN-004			148-1540	WPM-055	170-1300	WPT-031
42245	WPT-078	43301	WPT-029			148-1600	WPM-031	170-1310	WPT-049
42247	WPT-032	43304	WPM-002			148-1610	WPM-038	170-1410	WPT-017
42250	WPT-100	43305	WPN-081			148-1790	WPM-069	170-1420	WPT-067
42251	WPT-023	43511	WPN-704			148-2130	WPM-019	170-1430	WPT-066
42253	WPT-111	43512	WPN-703			148-2130	WPM-021	170-1490	WPT-052



# Water Pump Competitive Cross Reference

GMB	AISIN	HYTEK	AISIN	HYTEK	AISIN	HYTEK	AISIN	HYTEK	AISIN
170-1490	WPT-072	114107	WPN-800	137048	WPV-802	224048	WPT-110	224025	WPT-098
170-1500	WPT-021	122004	WPH-025	137048	WPV-803	224049	WPT-023	226032	WPZ-023
170-1520	WPT-075	122006	WPH-012	137048	WPV-804	224050	WPT-018	226039	WPD-013
170-1530	WPT-097	122007	WPH-010	142029	WPT-008	224050	WPT-108		
170-1540	WPT-016	122008	WPH-013	214035	WPZ-001	224051	WPT-033	<b>NPW</b>	<b>AISIN</b>
170-1550	WPT-065	122010	WPH-003	214052	WPZ-003	224051	WPT-078	D-18	WPT-049
170-1570	WPT-004	122011	WPH-002	214060	WPZ-021	224053	WPT-032	F-17	WPF-002
170-1580	WPT-008	122012	WPH-023	217005	WPM-006	224053	WPT-099	F-19 D/C	WPF-006
170-1580	WPT-022	122013	WPH-016	217011	WPM-001	224056	WPT-057	F-20	WPF-008
170-1580	WPT-046	122015	WPH-005	217012	WPM-009	224059	WPT-048	F-3	WPF-012
170-1610	WPT-013	122016	WPH-001	217014	WPM-004	224060	WPT-100	F-4	WPF-005
170-1630	WPT-055	122017	WPH-006	217014	WPM-058	224061	WPT-038	F-7	WPF-013
170-1640	WPT-007	122017	WPH-034	217015	WPM-010	224070	WPT-116	F-8	WPF-003
170-1670	WPT-056	122033	WPH-044	217019	WPM-022	224080	WPT-805	F-9	WPF-007
170-1670	WPT-060	122034	WPH-011	217020	WPM-013	226009	WPF-005	FV-29	WPZ-002
170-1680	WPT-107	123003	WPN-013	217020	WPM-014	226009	WPF-012	H-20	WPH-012
170-1710	WPT-002	123003	WPN-079	217022	WPM-056	226013	WPF-013	H-22	WPH-010
170-1730	WPT-029	123004	WPN-021	217024	WPM-019	226020	WPF-003	H-23	WPH-003
170-1770	WPT-010	123008	WPN-003	217024	WPM-021	226023	WPZ-002	H-25	WPH-002
170-1770	WPTK-010	123008	WPN-004	217046	WPM-003	226024	WPS-007	H-26	WPH-023
170-1780	WPT-003	123008	WPN-020	217046	WPM-048	226025	WPS-006	H-27	WPH-016
170-1780	WPT-090	123008	WPN-024	217050	WPM-035	226031	WPM-012	H-28	WPH-001
170-1800	WPT-098	123008	WPN-031	217052	WPM-045	226035	WPF-002	H-30	WPH-013
170-1810	WPT-030	123009	WPN-037	217065	WPM-059	226035	WPF-008	H-31	WPH-008
170-1820	WPT-025	123011	WPN-033	222009	WPH-008	226038	WPF-006	H-32	WPH-006
170-1820	WPT-068	123016	WPN-064	223001	WPN-036	226046	WPM-031	H-34	WPH-034
170-1830	WPT-018	123018	WPN-059	223006	WPN-032	226048	WPM-055	H-42	WPH-004
170-1830	WPT-108	123019	WPN-058	223007	WPN-027	226049	WPM-033	H-44	WPH-800
170-1840	WPT-800	123020	WPN-067	223012	WPN-019	226053	WPM-038	I-22	WPG-004
170-1860	WPT-033	123021	WPN-001	223017	WPN-016	226067	WPM-057	I-25A	WPG-014
170-1860	WPT-078	123023	WPN-014	223022	WPN-017	314042	WPT-401	I-34	WPG-020
170-1870	WPT-014	123025	WPN-060	223024	WPN-055	314094	WP-8950	M-15	WPM-004
170-1890	WPT-028	123026	WPN-070	223028	WPN-089	314100	WPT-402	M-17	WPM-010
170-1900	WPT-032	123036	WPN-703	223030	WPN-083	317018	WPM-002	M-25	WPM-009
170-1920	WPT-057	124002	WPT-084	223035	WPN-704	322027	WPH-042	M-27	WPM-012
170-1930	WPT-011	124020	WPT-067	224013	WPT-079	322035	WPH-004	M-29	WPM-014
170-1960	WPT-044	124022	WPT-021	224014	WPT-031	323027	WPN-085	M-30	WPM-056
170-1970	WPT-100	124028	WPT-066	224015	WPT-085	323027	WPN-706	M-32	WPM-019
170-1980	WPT-106	124029	WPT-003	224017	WPT-049	323032	WPN-081	M-40	WPM-021
170-1990	WPT-023	124029	WPT-090	224021	WPT-052	324026	WPT-063	M-44	WPM-048
170-2101	WPT-111	124030	WPT-013	224021	WPT-072	324032	WPT-004	M-45	WPM-003
170-2103	WPT-048	124031	WPT-016	224024	WPT-075	324035	WPT-020	M-45	WPM-045
170-2270	WPT-110	124037	WPT-025	224025	WPT-097	324038	WPT-029	M-46	WPM-013
170-2350	WPT-099	124037	WPT-068	224027	WPT-017	324057	WPT-044	M-58	WPM-030
170-2360	WPT-038	124041	WPT-107	224034	WPT-007	324058	WPT-028	M-61	WPM-033
170-2380	WPT-116	124066	WPT-106	224036	WPT-055	326011	WPG-004	M-64	WPM-055
170-2420	WPT-006	124067	WPT-006	224039	WPT-060	422020	WPH-007	M-65	WPM-059
170-3010	WPT-187	126010	WPZ-006	224040	WPT-010	422023	WPH-036	M-66	WPM-035
190-1070	WPV-800	126015	WPG-020	224040	WPTK-010	422026	WPH-040	M-67	WPM-038
190-1070	WPV-802	126018	WPS-004	224043	WPT-030	424047	WPT-800	M-7	WPM-022
190-1070	WPV-804	126019	WPF-007	224044	WPT-056	122005	WPH-025	M-71	WPM-031
190-2120	WPV-803	126065	WPZ-022	224045	WPT-002	123005	WPN-029	M-72	WPM-058
114019	WPN-011	137048	WPV-800	224046	WPT-014	214080	WPZ-024	MZ-17	WPZ-012





# Water Pump Competitive Cross Reference

NPW	AISIN	NPW	AISIN	PARAUT	AISIN	PARAUT	AISIN	PARAUT	AISIN
MZ-20	WPZ-001	T-136	WPT-038	C3-056	WPM-022	M3-004	WPZ-006	T3-111	WPT-038
MZ-20	WPZ-003	T-16	WPT-017	C3-057	WPM-019	M3-006	WPZ-003	T3-112	WPT-048
MZ-4	WPZ-006	T-17	WPT-072	C3-060	WPM-013	M3-011	WPZ-001	T3-118	WPT-038
MZ-48	WPN-001	T-18	WPT-067	C3-071	WPM-003	M3-013	WPZ-002	T3-120	WPT-038
N-1	WPN-036	T-19	WPT-003	C3-083	WPM-033	M3-018	WPZ-022	T3-123	WPT-057
N-13	WPN-003	T-19	WPT-066	C3-085	WPM-030	M3-023	WPZ-012	T3-125	WPT-023
N-14	WPN-033	T-19	WPT-090	C3-086	WPM-031	M3-029	WPZ-021	T3-126	WPT-044
N-16	WPN-079	T-27	WPT-065	C3-090	WPM-045	T3-004	WPT-055	T3-130	WPT-044
N-17	WPN-027	T-3	WPT-079	C3-093	WPM-048	T3-008	WPT-067	V3-001	WPN-029
N-2	WPN-032	T-30	WPT-097	C3-096	WPM-059	T3-009	WPT-017	V3-002	WPN-036
N-23	WPN-024	T-32	WPT-021	C3-097	WPM-035	T3-011	WPT-085	V3-003	WPN-032
N-24	WPN-019	T-49	WPT-020	C3-101	WPM-055	T3-017	WPT-049	V3-004	WPN-021
N-28	WPN-020	T-50	WPT-063	D3-009	WPD-013	T3-018	WPT-031	V3-005	WPN-079
N-29 D/C	WPN-031	T-51	WPT-028	F3-001	WPF-012	T3-026	WPT-079	V3-014	WPN-013
N-3	WPN-021	T-54	WPT-008	F3-002	WPF-005	T3-029	WPT-049	V3-016	WPN-024
N-30	WPN-058	T-54	WPT-022	F3-009	WPF-007	T3-030	WPT-066	V3-017	WPN-033
N-31	WPN-059	T-55	WPT-052	F3-010	WPF-013	T3-031	WPT-072	V3-018	WPN-019
N-38	WPN-037	T-56	WPT-075	F3-012	WPF-003	T3-033	WPT-065	V3-022	WPN-020
N-40	WPN-011	T-57	WPT-013	F3-018	WPF-002	T3-039	WPT-084	V3-023	WPN-003
N-44	WPN-064	T-58	WPT-004	F3-019	WPF-006	T3-045	WPT-097	V3-025	WPN-037
N-45	WPN-014	T-59	WPT-016	F3-020	WPF-008	T3-046	WPT-004	V3-032	WPN-004
N-5	WPN-013	T-63	WPT-055	G3-019	WPG-004	T3-047	WPT-052	V3-033	WPN-011
N-56	WPN-016	T-67	WPT-007	G3-022	WPG-014	T3-050	WPT-060	V3-034	WPN-016
N-60	WPN-070	T-68	WPT-107	H3-008	WPH-025	T3-051	WPT-022	V3-041	WPN-058
N-62	WPN-004	T-70	WPT-029	H3-013	WPH-010	T3-052	WPT-055	V3-046	WPZ-002
N-65	WPN-067	T-76	WPT-025	H3-015	WPH-003	T3-059	WPT-056	V3-055	WPN-067
N-66	WPN-060	T-77	WPT-046	H3-018	WPH-005	T3-061	WPT-017	V3-064	WPN-027
N-75	WPN-055	T-85	WPT-068	H3-019	WPH-023	T3-065	WPT-075	V3-069	WPN-064
S-12	WPS-004	T-86	WPT-060	H3-020	WPH-012	T3-066	WPT-025	V3-074	WPN-059
S-12	WPS-007	T-87AH	WPTK-010	H3-025	WPH-013	T3-067	WPT-800	V3-093	WPN-017
S-14	WPS-006	T-9	WPT-085	H3-028	WPH-016	T3-076	WPT-030	V3-094	WPN-001
T-104	WPT-032	T-93	WPT-018	H3-029	WPH-002	T3-083	WPT-014	V3-095	WPN-014
T-107	WPT-002	T-93A	WPT-108	H3-032	WPH-010	T3-087	WPT-038	V3-103	WPN-031
T-109A	WPT-078			H3-037	WPH-004	T3-089	WPT-029	V3-108	WPN-055
T-110	WPT-023	<b>PARAUT</b>	<b>AISIN</b>	H3-039	WPH-006	T3-095	WPT-002	V3-109	WPN-089
T-112	WPT-056	C3-006	WPM-006	H3-042	WPH-008	T3-098	WPT-018	V3-110	WPN-083
T-113	WPT-011	C3-008	WPM-004	H3-047	WPH-001	T3-099	WPT-063	V3-116	WPN-081
T-118	WPT-110	C3-033	WPM-009	H3-049	WPH-034	T3-100	WPT-028	V3-120	WPN-060
T-12	WPT-084	C3-044	WPM-012	H3-054	WPH-007	T3-102	WPT-018	V3-124	WPN-070
T-121	WPT-106	C3-045	WPM-010	H3-055	WPH-036	T3-103	WPT-078	V3-129	WPN-085
T-126	WPT-014	C3-046	WPM-014	H3-056	WPH-040	T3-104	WPT-056		
T-130	WPT-111	C3-051	WPM-056	H3-057	WPH-011	T3-107	WPT-056		
T-132	WPT-100	C3-054	WPM-021	H3-058	WPH-042	T3-109	WPT-068		





# Timing Belt Kit Competitive Cross Reference

ACDELCO		AISIN		ACDELCO		AISIN		AIRTEX		AISIN		ASC		AISIN		BECK ARNLEY		AISIN	
*TCK157	TKT-012	TCKWP215	TKT-031	AWK1235	TKN-001	WPK-0058	TKM-004	*029-1045	TKT-029										
*TCK160	TKH-004	TCKWP215A	TKT-009	AWK1249	TKH-004	<b>AUTOPART INTL.</b>	<b>AISIN</b>	*029-1045	TKT-031										
*TCK186	TKH-007	TCKWP215A	TKT-029	AWK1254	TKF-002			*029-1057	TKF-004										
*TCK190	TKT-010	TCKWP215B	TKT-009	AWK1254	TKF-003	*2015-314066	TKT-006	*029-1057	TKF-005										
*TCK190	TKT-030	TCKWP215B	TKT-029	AWK1305	TKT-007	*2015-314066	TKT-026	*029-1059	TKT-013										
*TCK199	TKT-002	TCKWP224	TKH-005	AWK1307	TKF-001	*2015-314072	TKF-001	*029-1067	TKM-003										
*TCK199	TKT-003	TCKWP240	TKT-014	AWK1309	TKF-006	*2015-314076	TKH-003	*029-1075	TKM-002										
*TCK200	TKT-013	TCKWP240C	TKT-016	AWK1312	TKT-010	*2015-314084	TKF-004	*029-1126	TKF-001										
*TCK201A	TKM-004	TCKWP244	TKH-006	AWK1312	TKT-030	*2015-314084	TKF-005	*029-1135	TKT-010										
*TCK215	TKT-009	TCKWP249	TKN-001	AWK1313	TKT-013	*2015-314411	TKM-001	*029-1135	TKT-030										
*TCK215	TKT-011	TCKWP254	TKF-002	AWK1314	TKT-012	*2015-314434	TKM-004												
*TCK215	TKT-029	TCKWP254	TKF-003	AWK1316	TKF-004	*2015-314439	TKM-005	<b>CARQUEST</b>	<b>AISIN</b>										
*TCK215	TKT-031	TCKWP257	TKT-004	AWK1317	TKM-004	*2015-314442	TKT-009	*TCK157	TKT-012										
*TCK224	TKH-005	TCKWP257	TKT-024	AWK1323	TKH-012	*2015-314442	TKT-029	*TCK160	TKH-004										
*TCK230A	TKM-006	TCKWP257A	TKT-006	AWK1232	TKM-002	*2015-320975	TKM-002	*TCK186	TKH-007										
*TCK232A	TKM-001	TCKWP257A	TKT-026	AWK1245	TKT-018	*2015-324557	TKT-001	*TCK190	TKT-010										
*TCK240A	TKT-014	TCKWP259	TKM-002	AWK1247	TKT-017	*2015-324557	TKT-021	*TCK190	TKT-030										
*TCK244	TKH-006	TCKWP271	TKT-005	<b>ASC</b>	<b>AISIN</b>	*2015-57333	TKH-007	*TCK199	TKT-002										
*TCK249	TKN-001	TCKWP271	TKT-007	WPK-0001	TKT-003	*2015-57349	TKT-002	*TCK199	TKT-003										
*TCK249	TKN-002	TCKWP271	TKT-025	WPK-0001	TKT-003	*2015-57349	TKT-003	*TCK200	TKT-013										
*TCK254	TKF-002	TCKWP271A	TKT-007	WPK-0002	TKT-004	*2015-58304	TKH-006	*TCK201A	TKM-004										
*TCK254	TKF-003	TCKWP286	TKH-001	WPK-0002	TKT-024	*2015-58305	TKN-002	*TCK215	TKT-009										
*TCK257	TKT-004	TCKWP286A	TKH-011	WPK-0003	TKH-007	*2015-58307	TKT-004	*TCK215	TKT-011										
*TCK257	TKT-024	TCKWP287BBH	TKM-003	WPK-0004	TKH-001	*2015-58307	TKT-024	*TCK215	TKT-029										
*TCK257A	TKT-006	TCKWP298	TKT-001	WPK-0004	TKH-011	*2015-58315	TKH-001	*TCK215	TKT-031										
*TCK257A	TKT-026	TCKWP298	TKT-021	WPK-0005	TKT-005	*2015-58315	TKH-011	*TCK224	TKH-005										
*TCK259	TKM-002	TCKWP303	TKH-012	WPK-0005	TKT-007	*2015-58380	TKM-006	*TCK230A	TKM-006										
*TCK271	TKT-005	TCKWP304	TKF-001	WPK-0005	TKT-025	*2015-58387	TKT-013	*TCK232A	TKM-001										
*TCK271	TKT-007	TCKWP312	TKH-003	WPK-0008	TKH-003	*2015-58393	TKT-014	*TCK240A	TKT-014										
*TCK271	TKT-025	TCKWP328	TKF-004	WPK-0009	TKH-006	<b>BECK ARNLEY</b>	<b>AISIN</b>	*TCK244	TKH-006										
*TCK286	TKH-001	TCKWP329	TKH-002	WPK-0011	TKH-005	*029-1001	TKT-002	*TCK249	TKN-001										
*TCK286	TKH-011	<b>AIRTEX</b>	<b>AISIN</b>	WPK-0012	TKT-006	*029-1001	TKT-003	*TCK249	TKN-002										
*TCK287	TKM-003	AWK1220	TKT-003	WPK-0012	TKT-026	*029-1002	TKH-007	*TCK254	TKF-002										
*TCK298	TKT-001	AWK1221	TKT-004	WPK-0013	TKH-002	*029-1008	TKH-006	*TCK254	TKF-003										
*TCK298	TKT-021	AWK1221	TKT-024	WPK-0014	TKT-001	*029-1016	TKH-006	*TCK257	TKT-004										
*TCK304	TKF-001	AWK1222	TKH-007	WPK-0014	TKT-021	*029-1016	TKT-005	*TCK257	TKT-024										
*TCK312	TKH-003	AWK1222	TKH-007	WPK-0014	TKT-030	*029-1016	TKT-007	*TCK257A	TKT-006										
*TCK320	TKM-005	AWK1223	TKH-001	WPK-0017	TKM-002	*029-1016	TKT-025	*TCK257A	TKT-026										
*TCK328	TKF-004	AWK1223	TKH-011	WPK-0020	TKN-001	*029-1017	TKT-004	*TCK259	TKM-002										
*TCK328	TKF-005	AWK1224	TKT-005	WPK-0031	TKT-018	*029-1017	TKT-024	*TCK271	TKT-005										
*TCK329	TKH-002	AWK1224	TKT-007	WPK-0033	TKT-017	*029-1020	TKH-001	*TCK271	TKT-007										
TCKWP157	TKT-012	AWK1224	TKT-025	WPK-0035	TKH-004	*029-1020	TKH-011	*TCK271	TKT-025										
TCKWP186	TKH-007	AWK1226	TKH-003	WPK-0040	TKF-002	*029-1025	TKH-004	*TCK286	TKH-001										
TCKWP190	TKT-010	AWK1227	TKH-006	WPK-0040	TKF-003	*029-1027	TKM-006	*TCK286	TKH-011										
TCKWP190	TKT-030	AWK1228	TKH-005	WPK-0046	TKT-007	*029-1032	TKN-002	*TCK287	TKM-003										
TCKWP199	TKT-002	AWK1229	TKT-006	WPK-0048	TKF-001	*029-1042	TKT-001	*TCK298	TKT-001										
TCKWP199	TKT-003	AWK1229	TKT-026	WPK-0050	TKF-006	*029-1042	TKT-021	*TCK298	TKT-021										
TCKWP199	TKT-015	AWK1230	TKH-002	WPK-0053	TKT-010	*029-1043	TKT-006	*TCK304	TKF-001										
TCKWP199BH	TKT-002	AWK1231	TKT-001	WPK-0053	TKT-030	*029-1043	TKT-026	*TCK312	TKH-003										
TCKWP200	TKT-013	AWK1231	TKT-021	WPK-0054	TKT-013	*029-1044	TKT-014	*TCK320	TKM-005										
TCKWP201A	TKM-004	AWK1231	TKT-030	WPK-0055	TKT-012	*029-1045	TKT-009	*TCK328	TKF-004										
TCKWP215	TKT-011	AWK1232	TKM-002	WPK-0057	TKF-004	*029-1045	TKT-011	*TCK328	TKF-005										

Note \* Cross-Referenced Kit Does NOT Contain a Water Pump. AISIN Kit Shown includes Water Pump.



# Timing Belt Kit Competitive Cross Reference

CARQUEST	AISIN	CRP	AISIN	CRP	AISIN	DAYCO	AISIN	GATES	AISIN
*TCK329	TKH-002	*TB190K1	TKT-030	*TB287K1	TKM-003	*95286K1	TKH-001	*TCK215P	TKT-009
TCKWP157	TKT-012	TB190LK1	TKT-010	TB287LK1-WH	TKM-003	*95286K1	TKH-011	*TCK215P	TKT-011
TCKWP186	TKH-007	TB190LK1	TKT-030	*TB298K1	TKT-001	*95287K1	TKM-003	*TCK224	TKH-005
TCKWP190	TKT-010	*TB199K1	TKT-002	*TB298K1	TKT-021	*95298K1	TKT-001	*TCK230A	TKM-006
TCKWP190	TKT-030	*TB199K1	TKT-003	TB298LK1	TKT-001	*95298K1	TKT-021	*TCK232A	TKM-001
TCKWP199	TKT-002	TB199LK1	TKT-003	TB298LK1	TKT-021	*95304K1	TKF-001	*TCK240A	TKT-014
TCKWP199	TKT-003	TB199LK1-WH	TKT-002	TB303LK1	TKH-012	*95312K1	TKH-003	*TCK244	TKH-006
TCKWP199	TKT-015	TB199LK1-WH	TKT-015	*TB304K1	TKF-001	*95320K1	TKM-005	*TCK249	TKN-001
TCKWP199BH	TKT-002	*TB200K1	TKT-013	TB304LK1	TKF-001	*95328K1	TKF-004	*TCK249	TKN-002
TCKWP200	TKF-013	TB200LK1	TKT-013	TB304LK4	TKF-006	*95328K1	TKF-005	*TCK254	TKF-002
TCKWP201A	TKM-004	*TB201K2	TKM-004	*TB312K1	TKH-003	*95329K1	TKH-002	*TCK254	TKF-003
TCKWP215	TKT-011	TB201LK2	TKM-004	TB312LK1	TKH-003	*WP157K1A	TKT-012	*TCK257	TKT-004
TCKWP215	TKT-031	*TB215K1	TKT-009	TB320K1	TKM-005	WP172K1A	TKF-002	*TCK257	TKT-024
TCKWP215A	TKT-009	*TB215K1	TKT-029	TB320LK1-WH	TKM-005	WP187K1A	TKH-007	*TCK257A	TKT-006
TCKWP215A	TKT-029	*TB215K2	TKT-011	*TB328K1	TKF-004	WP199K1A	TKT-003	*TCK257A	TKT-026
TCKWP215B	TKT-009	*TB215K2	TKT-031	*TB328K1	TKF-005	WP200K1A	TKT-013	*TCK259	TKM-002
TCKWP215B	TKT-029	TB215LK1	TKT-009	TB328LK1	TKF-004	WP201K2A	TKM-004	*TCK271	TKT-005
TCKWP224	TKH-005	TB215LK1	TKT-029	TB328LK1	TKF-005	WP224K1B	TKH-005	*TCK271	TKT-007
TCKWP244	TKH-006	TB215LK2	TKT-011	*TB329K1	TKH-002	WP240K1A	TKT-014	*TCK271	TKT-025
TCKWP249	TKN-001	TB215LK2	TKT-031	TB329LK1	TKH-002	WP244K1A	TKH-006	*TCK286	TKH-001
TCKWP254	TKF-002	*TB224K1	TKH-005			WP254K1A	TKF-003	*TCK286	TKH-011
TCKWP254	TKF-003	TB224LK2	TKH-005	<b>DAYCO</b>	<b>AISIN</b>	WP254K1B	TKF-003	*TCK287	TKM-003
TCKWP257	TKT-004	*TB230-168K1	TKM-006	95157K1	TKT-012	WP257K1A	TKT-004	*TCK298	TKT-001
TCKWP257	TKT-024	*TB232-168K2	TKM-001	*95160K1	TKH-004	WP257K1A	TKT-024	*TCK298	TKT-021
TCKWP257A	TKT-006	*TB240K1	TKT-014	*95172K1	TKF-002	WP257K3A	TKT-006	*TCK304	TKF-001
TCKWP257A	TKT-026	TB240LK1	TKT-014	*95187K1	TKH-007	WP257K3A	TKT-026	*TCK312	TKH-003
TCKWP259	TKM-002	TB244-186LK1	TKH-006	*95190K1	TKT-010	WP259K2A	TKM-002	*TCK320	TKM-005
TCKWP271	TKT-005	*TB249K1	TKN-001	*95190K1	TKT-030	WP286K1A	TKH-001	*TCK328	TKF-004
TCKWP271	TKT-007	*TB249K1	TKN-002	*95190K2	TKT-010	WP286K1A	TKH-011	*TCK328	TKF-005
TCKWP271	TKT-025	*TB254K1	TKF-003	*95190K2	TKT-030	WP287K1A	TKM-003	*TCK329	TKH-002
TCKWP271A	TKT-007	TB254LK1	TKF-003	*95199K1	TKT-002	WP298K1A	TKT-001	*TCKWP157	TKT-012
TCKWP286	TKH-001	*TB257K1	TKT-004	*95199K1	TKT-003	WP298K1A	TKT-021	TCKWP186	TKH-007
TCKWP286A	TKH-011	*TB257K1	TKT-024	*95200K1	TKT-013	WP304K1A	TKF-001	TCKWP190	TKT-010
TCKWP287BBH	TKM-003	*TB257K2	TKT-006	*95201K	TKM-004	WP312K1A	TKH-003	TCKWP190	TKT-030
TCKWP298	TKT-001	*TB257K2	TKT-026	*95215K1	TKT-009	WP320K1A	TKM-005	TCKWP199	TKT-002
TCKWP298	TKT-021	TB257LK1	TKT-004	*95215K1	TKT-011	WP329K1A	TKH-002	TCKWP199	TKT-003
TCKWP304	TKF-001	TB257LK1	TKT-024	*95215K1	TKT-029			TCKWP199	TKT-015
TCKWP304A	TKF-006	TB257LK2	TKT-006	*95215K1	TKT-031	<b>GATES</b>	<b>AISIN</b>	TCKWP199BH	TKT-002
TCKWP312	TKH-003	TB257LK2	TKT-024	*95230K1	TKM-006	TCK157	TKT-012	TCKWP200	TKT-013
TCKWP328	TKF-004	TB257LK2	TKT-026	*95232K3	TKM-001	*TCK160	TKH-004	TCKWP201A	TKM-004
TCKWP329	TKH-002	*TB259K1	TKM-002	*95244K1	TKH-006	*TCK186	TKH-007	TCKWP215	TKT-011
		TB259LK1	TKM-002	*95249K1	TKN-001	*TCK190	TKT-010	TCKWP215	TKT-031
		*TB271K1	TKT-005	*95249K1	TKN-002	*TCK190	TKT-030	TCKWP215A	TKT-009
		*TB271K1	TKT-007	*95254K1	TKF-003	*TCK190P	TKT-010	TCKWP215A	TKT-029
		*TB271K1	TKT-025	*95257K1	TKT-004	*TCK199	TKT-002	TCKWP215A	TKT-029
		TB271LK1	TKT-005	*95257K1	TKT-024	*TCK199	TKT-003	TCKWP215B	TKT-009
		TB271LK1	TKT-025	*95257K3	TKT-006	*TCK200	TKT-013	TCKWP215B	TKT-029
		TB271LK2	TKT-007	*95257K3	TKT-026	*TCK200	TKT-013	TCKWP224	TKH-005
		*TB286K1	TKH-001	*95257K3	TKT-026	*TCK201A	TKM-004	TCKWP240	TKT-014
		*TB286K1	TKH-011	*95259K2	TKM-002	*TCK215	TKT-009	TCKWP244	TKH-006
		TB286LK1	TKH-001	*95271K1	TKT-005	*TCK215	TKT-011	TCKWP249	TKN-001
		TB286LK2	TKH-011	*95271K1	TKT-007	*TCK215	TKT-029	TCKWP254	TKF-002
				*95271K1	TKT-025	*TCK215	TKT-031	TCKWP254	TKF-003

Note \* Cross-Referenced Kit Does NOT Contain a Water Pump. AISIN Kit Shown includes Water Pump.



# Timing Belt Kit Competitive Cross Reference

GATES		BECK ARNLEY		NITOMA		PREF. COMPNTS.		ROCK PRODUCTS	
	AISIN		AISIN		AISIN		AISIN		AISIN
TCKWP257	TKT-004	*GTK0286	TKH-001	TBW1002	TKT-024	TS26160	TKH-004	*TBK284M	TKH-001
TCKWP257	TKT-024	*GTK0286	TKH-011	TBW1003	TKT-017	*TS26187	TKH-007	TBK284WP	TKH-001
TCKWP257A	TKT-006	*GTK0287	TKM-003	TBW1004	TKT-005	*TS26199	TKT-002	TBK284WP	TKH-011
TCKWP257A	TKT-026	*GTK0298	TKT-001	TBW1004	TKT-025	*TS26199	TKT-003	TBK285	TKH-002
TCKWP259	TKM-002	*GTK0298	TKT-021	TBW1005	TKT-006	*TS26200	TKT-013	*TBK285M	TKH-002
TCKWP271	TKT-005	*GTK0304	TKF-001	TBW1005	TKT-026	*TS26201B	TKM-004	TBK285WP	TKH-002
TCKWP271	TKT-007	*GTK0312	TKH-003	TBW1006	TKT-001	*TS26215	TKT-009	TBK297	TKH-005
TCKWP271	TKT-025	*GTK0320	TKM-005	TBW1006	TKT-021	*TS26215	TKT-011	*TBK297M	TKH-005
TCKWP271A	TKT-007	*GTK0328	TKF-004	TBW1009	TKT-011	*TS26215	TKT-029	TBK297WP	TKH-005
TCKWP286	TKH-001	*GTK0328	TKF-005	TBW1009	TKT-031	*TS26215	TKT-031	TBK634	TKN-001
TCKWP286A	TKH-011	*GTK0329	TKH-002	TBW1011	TKT-014	*TS26224	TKH-005	*TBK634	TKN-002
TCKWP287BBH	TKM-003	*GTKWP157	TKT-012	TBW1012	TKT-012	*TS26230A-1	TKM-006	*TBK706	TKF-003
TCKWP298	TKT-001	GTKWP172	TKF-002	TBW1013	TKT-013	*TS26232	TKM-001	*TBK706A	TKF-002
TCKWP298	TKT-021	GTKWP186	TKH-007	TBW1014	TKT-018	*TS26240	TKT-014	*TBK706AWP	TKF-002
TCKWP303	TKH-012	GTKWP190	TKT-010	TBW1020	TKT-019	*TS26244	TKH-006	TBK706WP	TKF-003
TCKWP304	TKF-001	GTKWP190	TKT-030	TBW2004	TKN-001	*TS26254A	TKF-003	TBK719	TKF-001
TCKWP312	TKH-003	GTKWP200	TKT-013	TBW3001	TKM-001	*TS26257	TKT-004	*TBK719WP	TKF-001
TCKWP328	TKF-004	GTKWP201A	TKM-004	TBW3003	TKM-003	*TS26257	TKT-024	TBK907	TKT-002
TCKWP329	TKH-002	GTKWP215	TKT-011	TBW4001	TKH-007	*TS26257A	TKT-006	*TBK907	TKT-003
		GTKWP215	TKT-031	TBW4002	TKH-006	*TS26257A	TKT-026	*TBK907WP	TKT-003
<b>GOODYEAR</b>	<b>AISIN</b>	GTKWP224A	TKH-005	TBW4005	TKH-001	*TS26259	TKM-002	TBK909WP	TKT-012
GTKWP298	TKT-001	GTKWP240	TKT-014	TBW4005	TKH-011	*TS26271	TKT-005	TBK944	TKT-009
GKT0172	TKF-002	GTKWP244	TKH-006	TBW4007	TKH-005	*TS26271	TKT-025	*TBK944	TKT-029
*GTK0157	TKT-012	GTKWP254	TKF-003	TBW4008	TKH-003	*TS26286	TKH-001	*TBK944AWP	TKT-009
*GTK0160	TKH-004	GTKWP257	TKT-004	TBW4009	TKH-002	*TS26286	TKH-011	TBK944AWP	TKT-029
*GTK0186	TKH-007	GTKWP257	TKT-024	TBW4010	TKH-012	*TS26287	TKM-003	TBK944WP	TKT-009
*GTK0190	TKT-010	GTKWP257A	TKT-006			*TS26298	TKT-001	TBK944WP	TKT-029
*GTK0190	TKT-030	GTKWP257A	TKT-026	<b>PARTS PLUS</b>	<b>AISIN</b>	*TS26298	TKT-021	TBK950A	TKT-014
*GTK0199	TKT-002	GTKWP259	TKM-002	WPK-0033	TKT-017	*TS26312	TKH-003	*TBK952WP	TKT-011
*GTK0199	TKT-003	GTKWP271	TKT-005	WPK-0001	TKT-003	*TS26320	TKM-005	TBK952WP	TKT-031
*GTK0200	TKT-013	GTKWP271	TKT-025	WPK-0002	TKT-004	*TS26328B	TKF-004	TBK958	TKT-013
*GTK0201A	TKM-004	GTKWP271A	TKT-007	WPK-0002	TKT-024	*TS26328B	TKF-005	*TBK958WP	TKT-013
*GTK0215	TKT-009	GTKWP286	TKH-001	WPK-0003	TKH-007	*TS26329	TKH-002	TBK960	TKT-004
*GTK0215	TKT-011	GTKWP286A	TKH-011	WPK-0004	TKH-001			*TBK960	TKT-024
*GTK0215	TKT-029	GTKWP298	TKT-001	WPK-0004	TKH-011	<b>ROCK PRODUCTS</b>	<b>AISIN</b>	*TBK960A	TKT-006
*GTK0215	TKT-031	GTKWP298	TKT-021	WPK-0005	TKT-005	*TBK133	TKM-003	*TBK960A	TKT-026
*GTK0224	TKH-005	GTKWP304	TKF-001	WPK-0005	TKT-007	*TBK133AWP	TKM-003	*TBK960AWP	TKT-006
*GTK0230A	TKM-006	GTKWP312	TKH-003	WPK-0005	TKT-025	TBK135	TKM-002	TBK960AWP	TKT-026
*GTK0232A	TKM-001	GTKWP320	TKM-005	WPK-0008	TKH-003	*TBK135WP	TKM-002	TBK960WP	TKT-004
*GTK0240A	TKT-014	GTKWP328	TKF-004	WPK-0009	TKH-006	TBK153	TKM-006	TBK960WP	TKT-024
*GTK0244	TKH-006	GTKWP329	TKH-002	WPK-0011	TKH-005	TBK155	TKM-001	TBK965	TKT-005
*GTK0249	TKN-001			WPK-0012	TKT-006	*TBK159	TKM-004	*TBK965	TKT-007
*GTK0249	TKN-002	<b>NITOMA</b>	<b>AISIN</b>	WPK-0012	TKT-026	*TBK159WP	TKM-004	*TBK965	TKT-025
*GTK0254	TKF-003	TBW1018	TKT-016	WPK-0013	TKH-002	TBK161WP	TKM-005	*TBK965AWP	TKT-007
*GTK0257	TKT-004	TBK1001	TKT-002	WPK-0014	TKT-001	TBK205	TKH-004	TBK965WP	TKT-005
*GTK0257	TKT-024	*TBK1001	TKT-003	WPK-0014	TKT-021	TBK214	TKH-006	TBK965WP	TKT-025
*GTK0257A	TKT-006	*TBK1002	TKT-004	WPK-0014	TKT-030	*TBK214M	TKH-006	TBK971	TKT-001
*GTK0257A	TKT-026	TBK1002	TKT-024	WPK-0017	TKM-002	TBK214WP	TKH-006	*TBK971	TKT-021
*GTK0259	TKM-002	TBK4005	TKH-001	WPK-0020	TKN-001	TBK220	TKH-003		
*GTK0271	TKT-005	*TBK4009	TKH-002	WPK-0031	TKT-018	*TBK220M	TKH-003	<b>SKF</b>	<b>AISIN</b>
*GTK0271	TKT-007	*TBW1001/H	TKT-002	WPK-0035	TKH-004	TBK220WP	TKH-003	*TBK157WP	TKT-012
*GTK0271	TKT-025	TBW1002	TKT-004	WPK-0040	TKF-003	TBK284	TKH-001	TBK160P	TKH-004

Note \* Cross-Referenced Kit Does NOT Contain a Water Pump. AISIN Kit Shown includes Water Pump.



# Timing Belt Kit Competitive Cross Reference

SKF	AISIN	SKF	AISIN	CARDONE	AISIN	CARDONE	AISIN	CARDONE	AISIN
*TBK172WP	TKF-002	TBK200WP	TKT-013	TBK254WP	TKF-003	TBK271WP	TKT-005	TBK303WP	TKH-012
TBK186WP	TKH-007	TBK201AWP	TKM-004	TBK257AWP	TKT-006	TBK271WP	TKT-025	TBK312WP	TKH-003
TBK190P	TKT-010	TBK215P	TKT-011	TBK257AWP	TKT-026	TBK286WP	TKH-001	TBK320WP	TKM-005
*TBK190P	TKT-030	*TBK215P	TKT-031	TBK257WP	TKT-004	TBK286WP	TKH-011	TBK329WP	TKH-002
*TBK199WP	TKT-002	*TBK230AP	TKM-006	TBK257WP	TKT-006	TBK287WP	TKM-003	TBK154WP	TKT-016
TBK199WP	TKT-003	*TBK240AWP	TKT-014	TBK257WP	TKT-024	TBK298P	TKT-001		
TBK199WP	TKT-015	TBK244WP	TKH-006	TBK259AWP	TKM-002	TBK298P	TKT-021		

Note \* Cross-Referenced Kit Does NOT Contain a Water Pump. AISIN Kit Shown includes Water Pump.

# Hydraulic Tensioner Competitive Cross Reference

SKF	AISIN	BECK ARNLEY	AISIN	DORMAN	AISIN	GATES	AISIN
T41081	BTV-003	024-0986	BTV-003	420-180	BTC-001	T43204	BTF-002
T41090	BTH-002	024-1118	BTT-001	420-125	BTC-003	T43205	BTV-001
T41231	BTH-001	024-1220	BTT-002	420-127	BTH-001	T43206	BTV-006
T43139	BTV-005	024-1220	BTT-003	420-175	BTF-002	T43210	BTT-002
<b>AUTOPARTS INTL.</b>	<b> AISIN</b>	024-1222	BTH-002	<b>FLENNOR</b>	<b> AISIN</b>	<b>ROCK PRODUCTS</b>	<b> AISIN</b>
2008-287503	BTH-002	024-1319	BTV-001	FS05299	BTV-003	TBT127B	BTM-003
2008-56489	BTT-001	024-1344	BTV-002	FS05593	BTV-005	TBT160	BTM-001
2008-57122	BTT-003	024-1345	BTV-006	FS62594	BTH-002	TBT284A	BTH-002
2008-57208	BTV-003	<b>CARQUEST</b>	<b> AISIN</b>	<b>GATES</b>	<b> AISIN</b>	TBT285A	BTH-001
2008-58401	BTF-002	9280	BTF-002	T41081	BTV-003	TBT714	BTF-002
2008-95844	BTT-002	9474	BTH-002	T43129	BTC-001	TBT960B	BTT-001
<b>AUTOZONE</b>	<b> AISIN</b>	9496	BTT-003	T43129	BTH-001	TBT965A	BTT-002
024-1344	BTV-005	9508	BTH-001	T43130	BTM-001	TBT965A	BTT-003
420-107	BTM-003	T4313	BTV-005	T43168	BTV-002	<b>ROCK PRODUCTS</b>	<b> AISIN</b>
85007	BTM-001	<b>CLEVITE</b>	<b> AISIN</b>	T43169	BTV-005	7953027	BTV-005
420-101	BTH-002	1208468	BTT-001	T43170	BTV-004	TBH01019	BTM-001
420-157	BTT-003	1234766	BTF-002	T43191	BTC-003	TBH01024	BTF-002
420-175	BTF-002	1471442	BTM-003	T43202	BTH-002	TBH01033	BTH-001
85019	BTH-001			T43203	BTM-003	TBH01040	BTH-002

# Fan Pulley Bracket Competitive Cross Reference

Dorman	AISIN
300-800	FBT-006
300-801	FBT-007
300-802	FBT-004
300-803	FBG-001
300-804	FBT-002
300-805	FBG-002





# Fan Clutch Competitive Cross Reference

AIRTEX	AISIN	BECK ARNLEY	AISIN	FOUR SEASONS	AISIN	HAYDEN	AISIN	US MOTORWORKS	AISIN
2554TA	FCT-001	130-0142	FCT-021	36295	FCG-004	2554	FCT-025	22076	FCT-017
2554TA	FCT-003	130-0142	FCT-024	36714	FCT-006	2556	FCT-048	22080	FCT-048
2554TA	FCT-025	130-0145	FCT-013	36714	FCT-023	2556	FCT-056	22081	FCT-001
2556TA	FCT-048	130-0146	FCT-002	36734	FCT-013	2558	FCV-001	22081	FCT-003
2556TA	FCT-056	130-0165	FCG-001	36740	FCS-001	2558	FCV-002	22081	FCT-025
2558TA	FCV-001	130-0167	FCG-004	36741	FCS-002	2559	FCM-001	22082	FCN-001
2558TA	FCV-001	130-0172	FCG-003	36757	FCG-003	2559	FCT-019	22085	FCT-007
2559TA	FCM-001	130-0185	FCT-009	36774	FCT-024	2559	FCT-037	22085	FCT-044
2559TA	FCT-019	130-0185	FCT-017	36775	FCT-021	2560	FCN-001	22085	FCT-050
2559TA	FCT-037	130-0185	FCT-049	36776	FCT-018	2561	FCG-019	22085	FCT-060
2560TA	FCN-001	130-0187	FCT-072	36907	FCM-002	2565	FCM-002	22086	FCM-001
2561TA	FCG-019	130-0193	FCT-023	36917	FCM-001	2567	FCG-001	22086	FCT-019
2565TA	FCM-002	130-0220	FCT-075	36917	FCT-019	2582	FCS-001	22086	FCT-037
2567TA	FCG-001	130-0222	FCT-073	36917	FCT-037	2583	FCS-002	22087	FCG-001
2582TA	FCS-001	<b>CARQUEST</b>	<b>AISIN</b>	36918	FCV-001	2653	FCT-007	22092	FCM-002
2583TA	FCS-002			36918	FCV-002	2653	FCT-044	22094	FCG-019
2653TA	FCT-007	77202	FCT-001	36919	FCG-019	2653	FCT-050	22177	FCT-024
2653TA	FCT-044	77204	FCT-048	36921	FCT-001	2653	FCT-060	22178	FCT-004
2653TA	FCT-050	77204	FCT-056	36921	FCT-003	2655	FCT-022	22178	FCT-014
2653TA	FCT-060	77206	FCV-001	36921	FCT-025	2656	FCT-004	22183	FCT-021
2656TA	FCT-014	77206	FCV-002	36922	FCT-007	2656	FCT-014	22184	FCT-018
2657TA	FCT-009	77207	FCM-001	36922	FCT-044	2657	FCT-009	22184	FCT-075
2657TA	FCT-017	77207	FCT-019	36922	FCT-050	2657	FCT-017	22402	FCT-006
2657TA	FCT-049	77207	FCT-037	36922	FCT-060	2657	FCT-049	22402	FCT-023
2661TA	FCT-004	77208	FCN-001	36923	FCT-048	2670	FCT-002	22407	FCT-072
2670TA	FCG-004	77209	FCG-019	36923	FCT-056	2670	FCT-073	<b>VISTEON</b>	<b>AISIN</b>
2670TA	FCT-002	77211	FCM-002	36924	FCN-001	2671	FCG-004		
2670TA	FCT-013	77212	FCG-001	36925	FCT-009	2671	FCT-013	140030	FCG-004
2670TA	FCT-073	77222	FCT-007	36925	FCT-017	2672	FCG-003	140031	FCT-009
2672TA	FCG-003	77222	FCT-044	36925	FCT-049	2677	FCT-024	140031	FCT-017
<b>BECK ARNLEY</b>	<b>AISIN</b>	77222	FCT-050	36930	FCT-014	2678	FCT-021	140031	FCT-049
		77222	FCT-060	36935	FCT-004	2679	FCT-018	140032	FCT-007
140037	FCT-037	77224	FCT-022	36986	FCG-001	2682	FCT-006	140032	FCT-050
130-0088	FCT-048	77225	FCT-004	46029	FCT-072	2682	FCT-023	140032	FCT-060
130-0090	FCT-001	77225	FCT-014	46060	FCT-075	2683	FCT-072	140033	FCT-048
130-0090	FCT-003	77226	FCT-009	46061	FCT-002	2684	FCT-075	140033	FCT-056
130-0097	FCT-007	77226	FCT-017	46061	FCT-073	2567	FCN-001	140034	FCT-001
130-0097	FCT-044	77226	FCT-049	<b>GMB</b>	<b>AISIN</b>	2657	FCT-038	140034	FCT-003
130-0097	FCT-050	77301	FCS-001			2661	FCT-004	140034	FCT-025
130-0097	FCT-060	77302	FCS-002	140-1192	FCG-019	<b>US MOTORWORKS</b>	<b>AISIN</b>	140036	FCT-044
130-0104	FCG-019	77305	FCT-002	148-1132	FCM-002			22020	FCT-002
130-0114	FCT-019	77305	FCT-073	170-1282	FCT-044	22020	FCT-073	140038	FCG-001
130-0115	FCM-002	77306	FCG-004	170-1312	FCT-056	22020	FCT-073	140043	FCM-002
130-0122	FCV-001	77306	FCT-013	170-1322	FCT-001	22021	FCG-004	140043	FCT-037
130-0122	FCV-002	77307	FCG-003	170-1542	FCT-037	22021	FCT-013	140073	FCG-019
130-0123	FCT-056	77646	FCT-024	170-1612	FCT-025	22022	FCG-003	140084	FCV-002
130-0124	FCM-001	77647	FCT-021	170-2822	FCT-007	22030	FCV-001	140086	FCV-001
130-0125	FCN-001	77648	FCT-018	170-2822	FCT-050	22030	FCV-002	140111	FCT-014
130-0138	FCS-001	77672	FCT-006	<b>HAYDEN</b>	<b>AISIN</b>	22068	FCS-001	140120	FCT-019
130-0138	FCS-002	77672	FCT-023			22069	FCS-002	22075	FCT-022
130-0141	FCT-004	77701	FCT-072	2554	FCT-001	22076	FCT-009	140139	FCT-006
130-0142	FCT-018	77734	FCT-075	2554	FCT-003			140144	FCN-001





## WARRANTY

AISIN warrants AISIN product (Products) to be free from defects in material and workmanship for a period of three hundred and sixty five (365) days/12 months, from the date of purchase thereof and installation thereof on the consumer's vehicle, or 12,000 Miles, (20,000 kilometers) whichever occurs first, provided that in no events, AISIN warrants AISIN Products when not installed and used in strict conformity with specifications described in the most up to date AISIN catalog for such installation and operation, and Products which have been altered, improperly installed, maintained or repaired, or damaged by accident, negligence or misuse.

This limited warranty is expressly in lieu of all other warranties, expressed or implied and all other obligations or liabilities on Products.

This limited warranty excludes all labor charges or other incidental or consequential damages.

Any Products for warranty claim hereunder must be returned through the importer, agent, or the distributor from whom they were purchased, provided that such Products must be accompanied by an explanation of circumstances and conditions under which they failed. AISIN reserves the right to examine all Products returned to it for warranty claim to determine whether or not any such Products have failed because of a defect in material or workmanship. The obligation hereunder shall be limited to, at its option, repairing, replacing or crediting for the purchase price of Products, which proves to be defective during the warranty period.

Regardless of whether any Products are repaired, replaced or credited for the purchase price of Products hereunder, transportation charges on the return of such Products must be prepaid by the customer under this limited warranty.

## DISCONTINUED PARTS

Obsolete or Discontinued items will not be accepted for returns.

## GARANTIA

AISIN garantiza sus productos de estar libre de defectos en sus materiales así como en su ensamblaje original por un periodo de 365 días / 12 meses a partir de la fecha de la instalación del producto en el vehículo o 12,000 millas (20,000 Kilómetros), cuyo evento suceda primero. AISIN no garantizará bajo ninguna circunstancia productos que hayan sido instalados fuera de las normas estrictas específicas explicadas en el catálogo AISIN más reciente. Esto incluye por igual los siguientes casos tales como; productos alterados o modificados en su diseño original, mala instalación, reparación o mantenimiento, daños por accidente, negligencia o mal uso del producto en su manipulación u operación, etc.

Esta garantía limitada es totalmente independiente a otras garantías expresadas en lo que respecta a sus obligaciones y responsabilidades de producto.

Esta garantía limitada excluye todo gasto de mano de obra u otros incidentes y daños consecuentes que pudiesen ocurrir.

Productos devueltos por reclamos en garantía deben ser devueltos directamente al importador, agente o distribuidor a quien le fue comprada la pieza. Esta devolución deberá ser acompañada de una explicación por escrito de las fechas de instalación, circunstancias y condiciones por las cuales el producto ha fallado. AISIN se reservará el derecho de examinar el producto en conjunto con la explicación proporcionada por el instalador para determinar si en realidad el producto ha fallado por causas de fabricación original. La obligación por lo tanto, será limitada a las opciones de reparar, reemplazar o acreditar el precio de compra del o los productos implicados que prueben tener defectos durante la duración del periodo de la garantía.

Los cargos de devolución o flete de la mercancía devuelta serán cubiertos por el cliente quien esta haciendo el reclamo de dichos productos.

## PIEZAS DESCONTINUADAS

Partes discontinuadas u obsoletas no están cubiertas en garantía.

## GARANTIE

AISIN garantit les produits Aisin (produits) contre tout défaut de matériaux et de fabrication pour une période de 365 jours/12 mois à compter de la date d'achat ou d'installation sur le véhicule du consommateur, ou 20 000 kilomètres (12 000 milles), la première échéance prévalant. AISIN ne garantit pas les produits si ceux-ci ne sont pas installés et utilisés conformément aux spécifications d'une telle installation et d'une telle utilisation figurant dans la plus récente édition du catalogue AISIN, ainsi que les produits qui ont été modifiés ou installés, entretenus ou réparés de manière incorrecte, ou endommagés à la suite d'un accident, d'une négligence ou d'une utilisation abusive.

Cette garantie limitée remplace expressément toutes les autres garanties, expresses ou implicites, ainsi que toutes les autres obligations ou responsabilités quant aux produits.

Cette garantie limitée exclut tous les frais de main-d'œuvre ainsi que tous les autres dommages consécutifs ou indirects.

Tout produit faisant l'objet d'une réclamation au titre de la garantie doit être retourné au fabricant par l'importateur, l'agent ou le distributeur par l'entremise duquel il a été acheté, à condition que le produit soit accompagné d'une explication des circonstances et des conditions dans lesquelles le produit a présenté une défectuosité. AISIN se réserve le droit d'examiner tous les produits retournés pour réclamation au titre de la garantie, afin de déterminer si la défectuosité desdits produits est causée par un défaut de matériaux ou de main-d'œuvre. L'obligation du fabricant en vertu de cette garantie se limite, à sa discrétion, à la réparation, au remplacement ou au remboursement du prix d'achat du produit s'étant avéré défectueux au cours de la période de validité de la garantie.

Peu importe si les produits font l'objet d'une réparation, d'un remplacement ou d'un remboursement du prix d'achat, les frais de transport pour le retour des produits doivent être payés d'avance par le client en vertu de cette garantie limitée.

## PIÈCES DE FIN DE SÉRIE

Le retour d'articles désuets ou de fin de série n'est pas accepté.

**Part Number: AB1207B**

**OEM Cross Reference: Toyota 00295-00103  
For Japanese Import Vehicles**

**Individual Packaging Information:**

- Tube Size: Net WT. 2.0 oz (57g)

Previously an Original Equipment Manufacturer and Automotive Dealer exclusive, AISIN offers this unique formula for sale in the Automotive Aftermarket.

**AISIN Part Number AB1207B (FIPG/Liquid Gasket) is highly resistant to:**

- Engine Oil
- Coolants
- High Temperatures
- High Pressures

**Uses Include:**

- Water Pumps
- Oil Pans
- Timing Chain Covers
- Valve Covers



**OEM Formula**

**Operating Temperature Range: -40 °F to 302 °F (-40 °C to 150 °C)  
Tack Free and ready for installation within 5 minutes**

**No Gasket Required**

**Use "FIPG" Form-In-Place-Gasket Sealant. #AB1207B**

Part Number	Part Type
WPG-027	Engine Water Pump
WPG-028	Engine Water Pump
WPN-089	Engine Water Pump
WPN-700	Engine Water Pump
WPN-800	Engine Water Pump
WPT-801	Engine Water Pump

# **AISIN**

*Geared up for the future*



AISIN WORLD CORP. OF AMERICA  
24330 Garnier Street  
Torrance, CA 90505 USA  
TEL: (310) 326-8681  
FAX: (310) 539-9035



[www.aisinaftermarket.com](http://www.aisinaftermarket.com)